

INSTALLATION, USE AND MAINTENANCE INSTRUCTION

S-BE 1



GB



The symbol on the product or on its packaging indicates that this product may not be treated as household waste. Instead it shall be handed over to the applicable collection point for the recycling of electrical and electronic equipment. By ensuring this product is disposed of correctly, you will help prevent potential negative consequences for the environment and human health, which could otherwise be caused by inappropriate waste handling of this product. For more detailed information about recycling of this product, please contact your local city office, your household waste disposal service or the shop where you purchased the product. This appliance is marked according to the European directive 2002/96/EC on waste electrical and electronic equipment (WEEE).

CONTENTS

GB

Warnings

Uses

Installation

Maintenance

WARNINGS

The appliance is not intended for use by young children or infirm persons without supervision. Young children should be supervised to ensure they do not play with the appliance.

*** The air sucked can't be conveyed through or into a duct used to let out fumes from appliances fed by energy other than electric power (eg. centralized heating, radiators, water-heaters, etc.).**

*** To evacuate the air outlet, please comply with the pertaining rules given by competent authorities.**

* Provide the room with an adequate aeration.

The cooker hood, when evacuating the sucked air, could generate a negative pressure in the room- which can't exceed the limit of 0.04 mbar, in order to avoid the suck of exhausts deriving from the heat-source. Therefore the room should be provided with air-intakes to allow a constant flow of fresh air.

Please disconnect the appliance from power mains, before carrying out any cleaning or maintenance operation.

USES

The appliance is designed for sucking the air from the bathroom and convey outside.

INSTALLATION

Before installing the appliance, make sure that none of the parts is damaged in any way. In case of damaged parts, contact your retailer and do not proceed with installation.

Read all of the following instructions with care before installing the appliance.

- Use an air outlet pipe of the shortest possible length.
- Limit the number of pipe bends.
- Use a material approved by standards and regulations.
- Avoid any sudden changes in pipe section (recommended constant diameter: 120 mm or equal surface area).

Fit a false ceiling with an opening of the following sizes: 325mm X 325mm.

Inside the niche, in correspondence to the opening fitted, place a wooden holder, useful to fix the product, through the screws supplied. (Fig. 1).

Plan a duct for airflow inside the niche, and connect to it a flexible pipe with 120mm diameter, extract the flexible pipe out of the niche, running it through the opening made. (Fig. 2).

Take off the stainless steel panel, pull it out from the product by hand. The stainless steel panel is fixed by mechanical coupling (fig.3).

Draw up the product to the niche, connect the flexible pipe to the joint and attach it through a metal strap.

Make the electrical connections, It is necessary to predispose an switch, where you can connect the S-BE1, near the door of the bathroom.

Place the ceiling-mounted hood into the niche, fixing it with the four screws supplied. (Fig. 4).

The screws must be installed into the wooden holder like is showed in the fig. 5.

Restore the stainless steel panel.

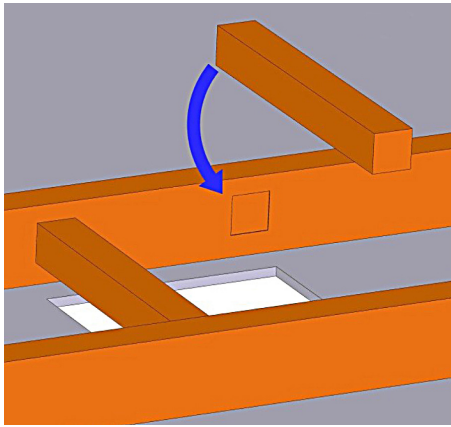
MAINTENANCE

An accurate maintenance guarantees good functioning and long-lasting performance.

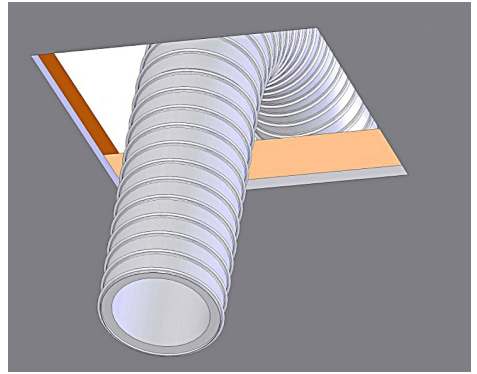
* Particular care is due to the grease filter panel. It can be removed pulling it out from the product by hand. The stainless steel panel is fixed by mechanical clip(fig.6);

To insert the filter just perform the opposite operation.

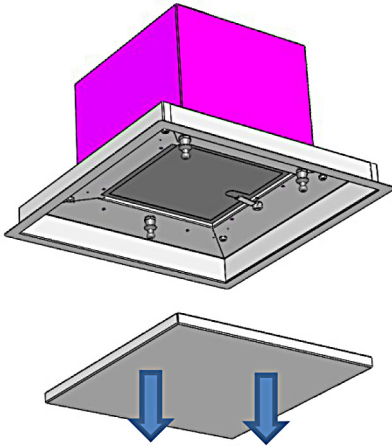
* To clean the appliance itself tepid water and neutral detergent are recommended, while abrasive products should be avoided. For steel appliances specialized detergents are recommended (please follow the instructions indicated o the product itself to obtain the desired results).



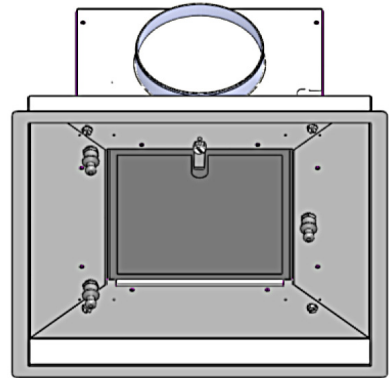
1



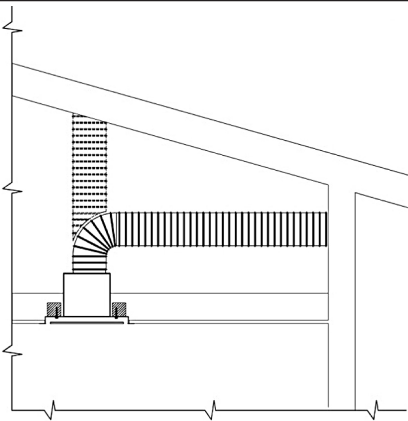
2



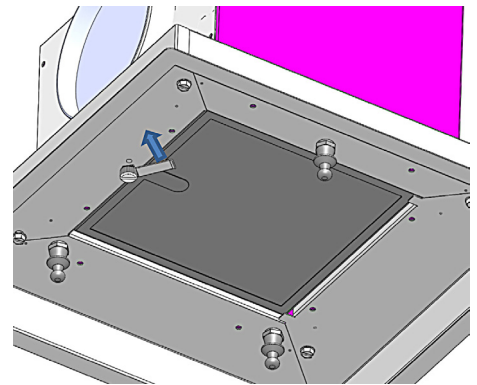
3



4



5



6

