

1100mm CEILING CASSETTE RANGEHOOD - WHITE GLASS FINISH

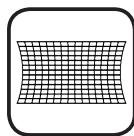
SLT969 WH



Rangehood type	Ceiling cassette
Control	Remote control
Speed settings	4
Ducting diameter	Rectangular ducting
Extraction type	Brushless onboard motor
Motor	Single German-made motor
Airflow	1020m ³ /h
Filter	Aluminium filter
Lighting	2 x LED Light strips
Induction Countdown Control	Yes
Electrical requirement	10A
Dimensions (fully extended) (mm)	W1100 x D700 x H220
Warranty	3 years (6 years when Sirius ducting is used)



**INDUCTION
SAFE**



**ALUMINIUM
FILTER**



**REMOTE
CONTROL**



**SPEED
SETTINGS**



**SINGLE
ONBOARD
MOTOR**



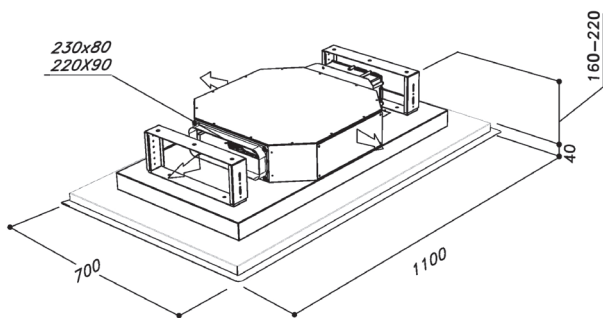
**1020m³/h
AIRFLOW**



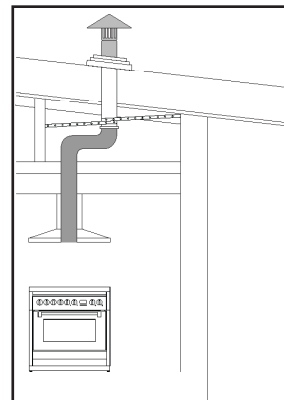
**2 x LED
LIGHT STRIPS**



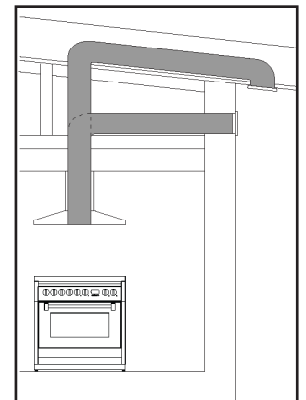
**HANDCRAFTED
IN ITALY**



Ducting options



Roof ducted



Eave or Wall ducted

- Use semi-rigid or rigid ducting, not fully flexible foil ducting. Rectangular ducting required.
- Fewer bends means a quieter and more powerful extraction.
- Extra 3 years warranty when Sirius ducting is used (total 6 years).
- See [support page](#) on Sirius website for installation videos and FAQs.

WARNING: technical specifications and product sizes can be varied by the manufacturer, without notice. Cut outs for appliances should only be by physical product measurements. The above information is indicative only.

Distributed by Arisit Pty Ltd