

SL906DL520

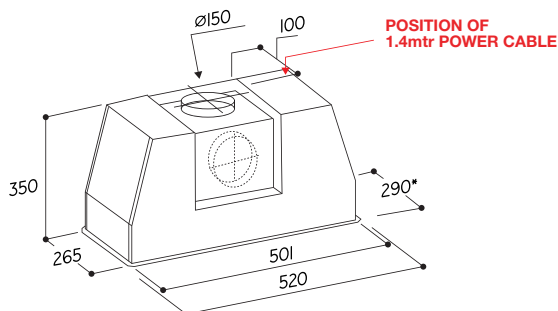
520MM ONBOARD UNDERMOUNT



SPECIFICATIONS

Rangehood Type	Undermount
GTIN	9351116005061
Country of Origin	Handcrafted in Italy
Designed to Suit	300-600mm GAS or INDUCTION
Controls	Buttons
Speed Settings	4
Ducting Diameter	150mm
Recirculating	No
Extraction Type	Onboard Motor
Motor	Green Energy Single Aluminium Motor
Extraction Rate	1020m ³ /hr
Filter Type	1x 25mm Stainless Steel Baffle
Noise Level	45dBa(min) to 63dBa(max)
Lighting	1 x 3.75w Led Dynamic and Dimmable Lighting
Run-on Timer	10 Minutes
Electrical Requirement	10A
Max Current (W)	274W
Product Dimensions (mm)	W520 x D290 x H350
Cut-Out Dimensions (mm)	W501 x D265
Weight	17kg
Warranty	3 Years (6 years when Sirius ducting is used)

LINE DRAWING



KEY FEATURES



Green Energy Single Aluminium Motor

Performance and quiet efficiency are the most important elements in the performance of your Sirius hood. Sirius has worked tirelessly to create a product that ticks all the boxes.



Slimline Installation

Slim design fits seamlessly into minimalist kitchens. Strong extraction power and modern design ideal for luxurious kitchen setups.



25mm Stainless Steel Filters

Baffle filters feature interlocking baffles for effective grease removal, promoting smooth airflow. They're easy to maintain, offer superior filtration with a deep pleat design, and dishwasher safe.



Powerful Extraction

With an impressive maximum airflow of 1020M³/H, this rangehood quickly and effectively removes smoke, steam, heat, odours, and other airborne particles from the kitchen.



Induction Safe

This rangehood boasts efficient filters and extraction capabilities to effectively manage increased steam and moisture levels resulting from minimal ambient heat compared to gas cooking methods.



Dynamic Lighting

Sirius Rangehoods have a dynamic lighting system that can be adjusted from 2700 to 6500 kelvin to match other lighting in the room. Adjustable temperature, and dimmable. Maximum design flexibility.



Hand Crafted In Italy

Sirius Rangehoods, a prestigious Italian brand founded in 1996, is renowned for its bold designs and commitment to premium materials and craftsmanship, making it a top choice for high-end rangehoods.



Reversible Single Motor

Sirius rangehood with reversible single motor adjusts to any kitchen setup. Choose between external or rear venting for convenience and flexibility in your installation.

DISTRIBUTED BY ARISIT PTY LTD

40-50 Mark Anthony Drive, Dandenong South VIC 3175
Ph: 1300 762 219 Fax: 03 9768 0838 Website: www.arisit.com