

# SL906EMEL520

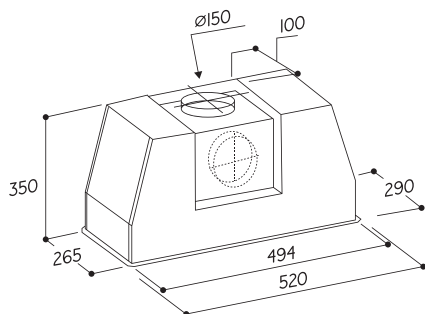
520MM OFFBOARD UNDERMOUNT



## SPECIFICATIONS

<b>Rangehood Type</b>	Undermount
<b>GTIN</b>	9351116005023
<b>Country of Origin</b>	Handcrafted in Italy
<b>Designed to Suit</b>	300-600mm GAS or INDUCTION
<b>Controls</b>	Buttons, APP & Voice Controls
<b>Speed Settings</b>	4
<b>Ducting Diameter</b>	150mm
<b>Recirculating</b>	No
<b>Extraction Type</b>	Offboard Motor
<b>Motor Options</b>	SEM 11, SEM 21, SEM 51
<b>Extraction Rate</b>	1200m <sup>3</sup> /hr
<b>Filter Type</b>	25mm Stainless Steel Baffle
<b>Noise Level</b>	Depends on motor / installation
<b>Lighting</b>	1 x 3.75W Led Dynamic and Dimmable Lighting
<b>Run-on Timer</b>	Custom
<b>Electrical Requirement</b>	10A
<b>Max Current (W)</b>	504W
<b>Product Dimensions (mm)</b>	W520 x D290 x H350
<b>Cut-Out Dimensions (mm)</b>	W501 x D265
<b>Weight</b>	13.5kg
<b>Warranty</b>	3 Years (6 years when Sirius ducting is used)

## LINE DRAWING



## KEY FEATURES



### Offboard Green Energy Motor

Power, performance and quiet efficiency are the most important elements in the performance of your Sirius hood. Sirius has worked tirelessly to create a product that ticks all the boxes.



### 25mm Stainless Steel Baffle Filters

Baffle filters feature interlocking baffles for effective grease removal, promoting smooth airflow. They're easy to maintain, offer superior filtration with a deep pleat design, and dishwasher safe.



### Powerful Extraction

Sirius offers powerful rangehoods, providing superior extraction for all cooking styles. With revolutionary technology and advanced engineering, they're ideal for any kitchen.



### Induction Safe

This rangehood boasts efficient filters and extraction capabilities to effectively manage increased steam and moisture levels resulting from minimal ambient heat compared to gas cooking methods.



### App Control

Rangehood compatible with Sirius app for mobile control via Wi-Fi. Download from Apple App or Google Play store. Adjust lighting, fan speed, and receive filter cleaning alerts.



### Slimline Installation

Slim design fits seamlessly into minimalist kitchens. Strong extraction power and modern design ideal for luxurious kitchen setups.



### Dynamic Lighting

Sirius Rangehoods have a dynamic lighting system that can be adjusted from 2700 to 6500 kelvin to match other lighting in the room. Adjustable temperature, and dimmable. Maximum design flexibility.



### Hand Crafted in Italy

Sirius Rangehoods, a prestigious Italian brand founded in 1996, is renowned for its bold designs and commitment to premium materials and craftsmanship, making it a top choice for high-end rangehoods.

DISTRIBUTED BY ARISIT PTY LTD

40-50 Mark Anthony Drive, Dandenong South VIC 3175  
Ph: 1300 762 219 Fax: 03 9768 0838 Website: www.arisit.com