

SL926DLTM 1200

1120MM ONBOARD TWIN MOTOR UNDER-MOUNT WITH 'SMART-SWITCH' FUNCTION

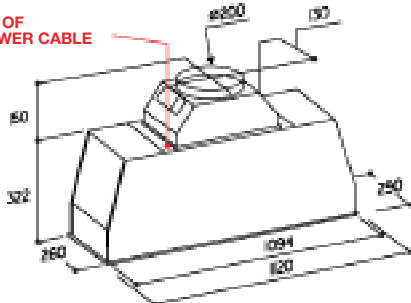


SPECIFICATIONS

| | |
|-------------------------|---|
| Rangehood Type | Undermount |
| GTIN | 9351116002817 |
| Country of Origin | Handcrafted in Italy |
| Designed to Suit | 600-1100mm GAS or INDUCTION |
| Controls | Buttons, APP, Remote & Voice Controls |
| Speed Settings | 4 |
| Ducting Diameter | 200mm |
| Recirculating | No |
| Extraction Type | Onboard Motor |
| Motor | Green Energy Twin Aluminium Bi-Power Motor |
| Extraction Rate | 1930m ³ /hr |
| Filter Type | 2 x 25mm Stainless Steel Baffle |
| Noise Level | 42dBa(min) to 66dBa(max) |
| Lighting | 2 x 3.75W Led Strip - Dynamic and Dimmable |
| Run-on Timer | Custom |
| Electrical Requirement | 10A |
| Max Current (W) | 548W |
| Product Dimensions (mm) | W1120 x D290 x H472 |
| Cut-Out Dimensions (mm) | W1100 x D265 |
| Weight | 40kg |
| Warranty | 3 Years (6 years when Sirius ducting is used) |

LINE DRAWING

POSITION OF
1.4mtr POWER CABLE



KEY FEATURES



Green Energy Twin Aluminium Motor

Perfect for large and open kitchens, Sirius twin motor hoods boast powerful 1930M³/H extraction to efficiently remove steam, heat, smoke, and odours. With four speeds options for tailored ventilation.



25mm Stainless Steel Baffle Filters

Baffle filters feature interlocking baffles for effective grease removal, promoting smooth airflow. They're easy to maintain, offer superior filtration with a deep pleat design, and dishwasher safe.



Powerful Extraction

With a twin motor this rangehood's impressive maximum airflow of 1930M³/H, quickly and effectively removes smoke, steam, heat, odours, and other airborne particles from the kitchen.



Induction Safe

This rangehood boasts efficient filters and extraction capabilities to effectively manage increased steam and moisture levels resulting from minimal ambient heat compared to gas cooking methods.



Dynamic Lighting

Sirius Rangehoods have a dynamic lighting system that can be adjusted from 2700 to 6500 kelvin to match other lighting in the room. Adjustable temperature, and dimmable. Maximum design flexibility.



Bi-Power Mode

Smart-Switch Bi-Power offers energy saving and noise reduction, ideal for low-power cooking. Easily switch to extra power when required.



App Control

Rangehood compatible with Sirius app for mobile control via Wi-Fi. Download from Apple App or Google Play store. Adjust lighting, fan speed, and receive filter cleaning alerts.



Hand Crafted in Italy

Sirius Rangehoods, a prestigious Italian brand founded in 1996, is renowned for its bold designs and commitment to premium materials and craftsmanship, making it a top choice for high-end rangehoods.

DISTRIBUTED BY ARISIT PTY LTD

40-50 Mark Anthony Drive, Dandenong South VIC 3175
Ph: 1300 762 219 Fax: 03 9768 0838 Website: www.arisit.com