

# SM924 780

780MM ONBOARD UNDERMOUNT



## SPECIFICATIONS

<b>Rangehood Type</b>	Undermount
<b>GTIN</b>	
<b>Country of Origin</b>	Handcrafted in Italy
<b>Designed to Suit</b>	300-750mm GAS
<b>Controls</b>	Buttons
<b>Speed Settings</b>	4
<b>Ducting Diameter</b>	150mm
<b>Recirculating</b>	Optional (Not recommended - Please see website for more info)
<b>Extraction Type</b>	Onboard Motor
<b>Motor</b>	Single Aluminium Motor
<b>Extraction Rate</b>	800m <sup>3</sup> /hr
<b>Filter Type</b>	2x Internal Aluminium Filter
<b>Noise Level</b>	45dBa(min) to 70dBa(max)
<b>Lighting</b>	2 x 5W Led Strip
<b>Run-on Timer</b>	No
<b>Electrical Requirement</b>	10A
<b>Max Current (W)</b>	235W
<b>Product Dimensions (mm)</b>	W780 x D290 x H270
<b>Cut-Out Dimensions (mm)</b>	W765 x D265
<b>Weight</b>	18kg
<b>Warranty</b>	3 Years (6 years when Sirius ducting is used)

## KEY FEATURES



### Single Aluminium Motor

Performance and quiet efficiency are the most important elements in the performance of your Sirius hood. Sirius has worked tirelessly to create a product that ticks all the boxes.



### Aluminium Mesh Filters

Easy to install and maintain, but it also provides superior filtration capabilities. Designed with a special deep pleat design that helps capture cooking odours before they enter the room.



### Powerful Extraction

With a maximum airflow of 800M<sup>3</sup>/H, this rangehood quickly and effectively removes smoke, steam, heat, odours, and other airborne particles from areas requiring ventilation.



### 2 X 5W Led Strip

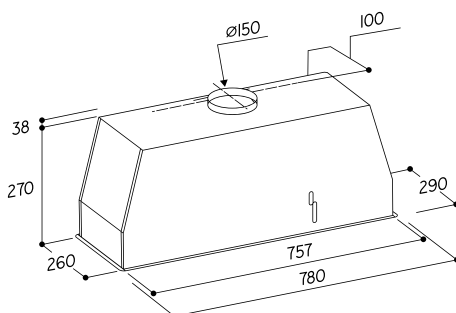
Energy-efficient with prolonged lifespan. Ideal for eco-conscious homes, providing quality illumination and minimizing replacement expenses.



### Hand Crafted In Italy

Sirius Rangehoods, a prestigious Italian brand founded in 1996, is renowned for its bold designs and commitment to premium materials and craftsmanship, making it a top choice for high-end rangehoods.

## LINE DRAWING



DISTRIBUTED BY ARISIT PTY LTD

40-50 Mark Anthony Drive, Dandenong South VIC 3175  
Ph: 1300 762 219 Fax: 03 9768 0838 Website: www.arisit.com