

# DROP IN SIDE-BURNER IN BLACK

SIR-DSG0010-BLK



## FEATURES & BENEFITS

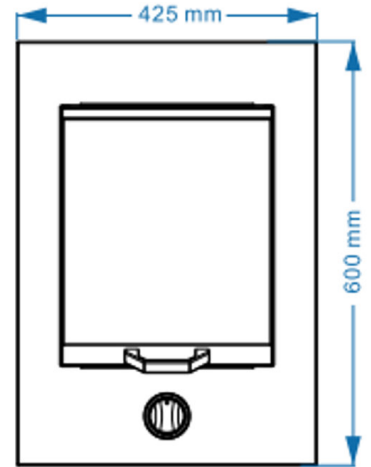
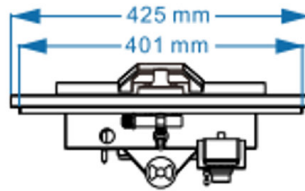
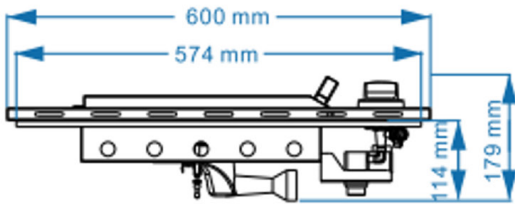
<b>3 YEAR MANUFACTURER WARRANTY</b>	Guarantees peace of mind and value for money knowing that any product fault or defect is covered by replacement parts and/or a service call.
<b>STYLISH DROP-IN DESIGN</b>	Drop-In Gives your outdoor alfresco space a modern, classy finish as the BBQ drops down into the benchtop of your cabinetry. The slimline enclosed hood shape helps to give a more low-profile look to the BBQ
<b>LPG JETS FITTED. CAN BE CONVERTED TO NATURAL GAS</b>	The BBQ comes equipped for LPG out of the box and can be converted for usage with Natural Gas by an authorised professional. (Conversion kit needs to be purchased separately)
<b>HIGH-QUALITY CAST IRON TUBE BURNER</b>	Durable & high-powered gas cooktop which is capable of reaching high cooking temperatures in your outdoor alfresco setting.
<b>FLAME FAILURE</b>	Device Fitted - Designed To Stop Gas Supply When Flame Is Extinguished. Increased safety, reduced gas waste, peace of mind, compliance with safety standards, and user-friendly operation
<b>COMFORT ELECTRONIC IGNITION SYSTEM</b>	Ele Safe and easy Comfort Electronic Ignition System can be lit without the use of flammable and explosive matches and lighters. ctric One Hand Ignition
<b>ERGONOMIC CONTROLS</b>	The ergonomic controls are conveniently located at the front of the BBQ helping to maximise the grilling surface with power level indicators.
<b>BLACK POWDER COATED ENAMEL</b>	Black powder coated enamel finish are highly resistant to heat and corrosion, making it easier to keep your burner in pristine condition
<b>COOKING GRILL TYPE</b>	Stainless Steel Rod Grill

**DISTRIBUTED BY ARISIT PTY LTD**

40-50 Mark Anthony Drive, Dandenong South VIC 3175  
Ph: 1300 762 219 Fax: 03 9768 0838 Website: [www.arisit.com](http://www.arisit.com)

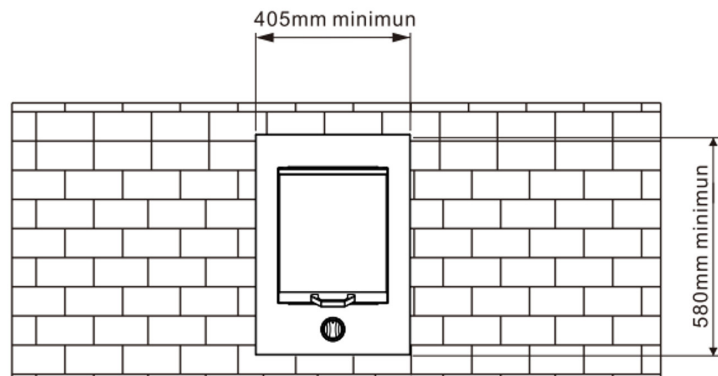
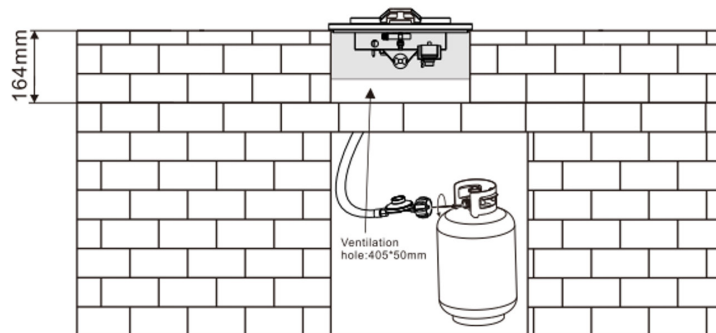
# DROP IN SIDE-BURNER IN BLACK

SIR-DSG0010-BLK



\* Dimensions will vary for different install methods due to different fittings

## INSTALL METHOD



BBQ Sits Directly Onto Cabinetry  
Recommended Cut Out Dimensions:  
(w) >405mm x (h) 580mm x (d) 164mm

**WARNING:** Technical specifications and product sizes can be varied by the manufacturer without notice. Cut outs for appliances should only be physical product measurements. The above information is indicative only.  
This BBQ can only be operated in outdoor environments. Minimum clearances to combustible materials must be maintained.  
For Natural Gas Conversion please refer to the product user manual. This process should only be done by an authorised professional.

**DO NOT CUT YOUR CABINETRY OR BENCH TOPS UNTIL YOU HAVE PHYSICALLY RECEIVED YOUR SIRIUS BBQ TO ENSURE OPTIMUM RESULTS. THE CUT OUT DIMENSIONS PROVIDED ON THIS SHEET ARE INDICATIVE ONLY AS REQUIREMENTS FOR EACH INSTALL WILL VARY. UPON RECEIVING YOUR SIRIUS BBQ, INDIVIDUALLY MEASURE THE RELEVANT SECTIONS TO ENSURE OPTIMUM FITTINGS.**

# DROP IN SIDE-BURNER IN BLACK

SIR-DSG0010-BLK



<b>Model</b>	SIR-DSG0010-BLK
<b>Fuel</b>	LPG (can be converted to Natural Gas with a conversion kit )
<b>BBQ Cooktop Construction</b>	Black Powder Coated Enamel
<b>Tube Burners</b>	Cast Iron
<b>Total Gas Consumption (LPG)</b>	11.5mj/h
<b>Total Gas Consumption (Natural Gas)</b>	12.5mj/h
<b>Motorised Rotisserie</b>	No
<b>Controls Lighting</b>	No
<b>Internal BBQ Cavity Lighting</b>	No
<b>Ignition</b>	Confort Electronic Ignition System
<b>Flame Failure Safety Shut-Off</b>	Yes
<b>Gross Product Weight:</b>	8KG
<b>Total Product Dimensions (Lid Closed)</b>	(w) 425mm x (d) 600mm x (h) 179mm
<b>Recommended Cut Out Dimensions (Refer to Dimensional Drawings and minimum clearances to combustible materials)</b>	(w) 401mm x (d) 574mm + Minimum Height Clearance of 200mm Below The Benchtop + Minimum Benchtop Thickness of 20mm  * Need to allow minimum 50mm clearance in the front of the benchtop & 70mm clearance at the rear - check with your cabinet maker re benchtop load weight.

WARNING: Technical specifications and product sizes can be varied by the manufacturer without notice. Cut outs for appliances should only be physical product measurements. The above information is indicative only.

This BBQ can only be operated in outdoor environments. Minimum clearances to combustible materials must be maintained.

For Natural Gas Conversion please refer to the product user manual. This processed should only be done by an authorised professional.

**DISTRIBUTED BY ARISIT PTY LTD**

40-50 Mark Anthony Drive, Dandenong South VIC 3175  
Ph: 1300 762 219 Fax: 03 9768 0838 Website: [www.arisit.com](http://www.arisit.com)