

# DROP IN SIDE-BURNER IN BLACK

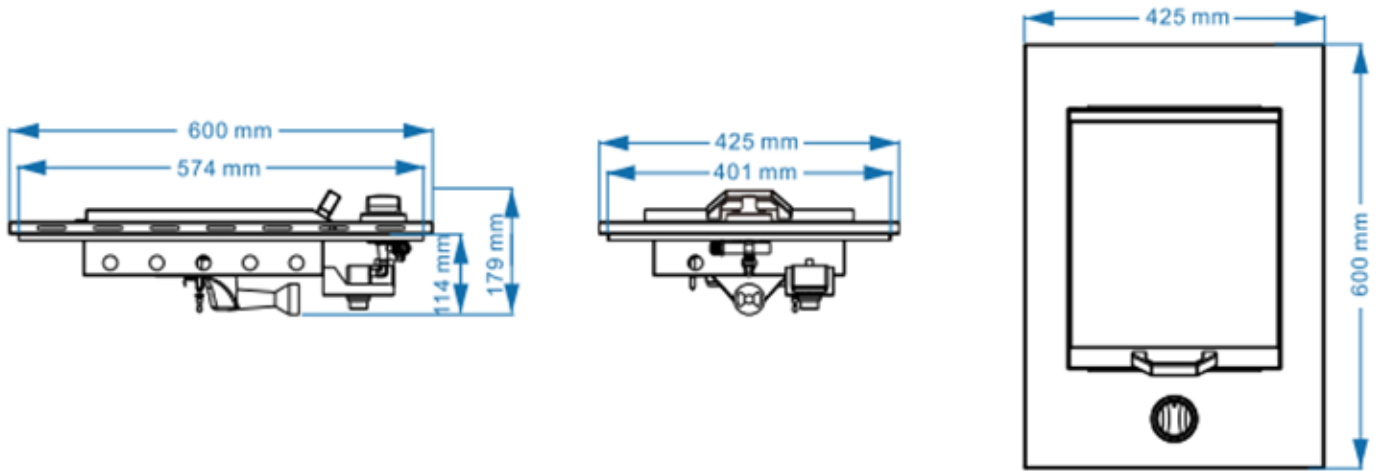
SIR-DSG0010-BLK



<b>INSTALLATION TYPE</b>	Drop-In
<b>GAS TYPE</b>	LPG As Standard - Can Be Fitted With Optional Natural Gas Kit
<b>FLAME FAILURE</b>	Device Fitted - Designed To Stop Gas Supply When Flame Is Extinguished
<b>IGNITION TYPE</b>	Electric One Hand Ignition
<b>BACKLIT KNOBS</b>	Blue Led
<b>BURNER TYPE</b>	Cast Iron with Brass Burner Caps
<b>COOKING GRILL TYPE</b>	Stainless Steel Rod Grill
<b>WARRANTY</b>	3 Years

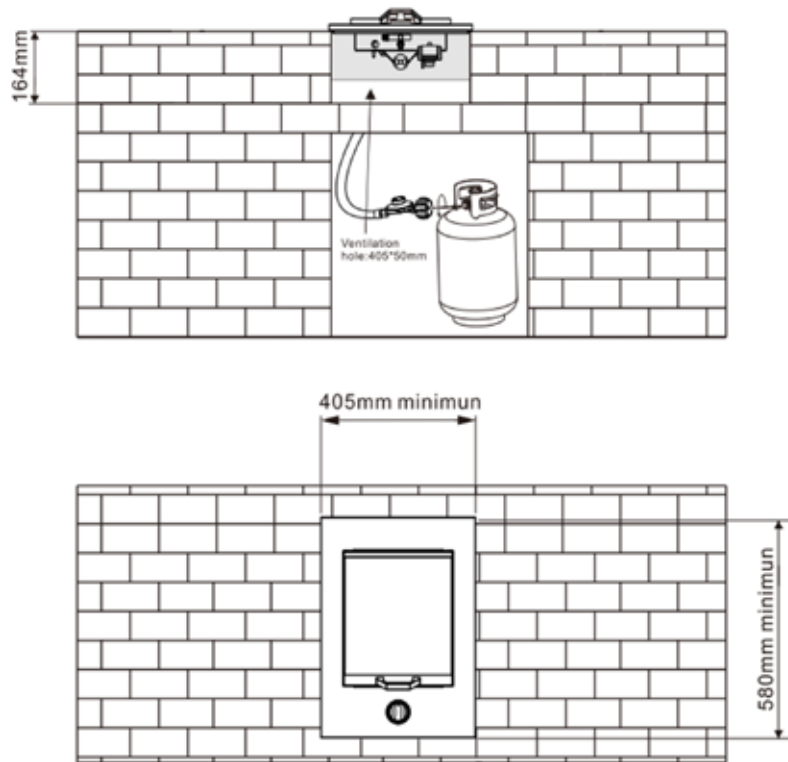
# DROP IN SIDE-BURNER IN BLACK

SIR-DSG0010-BLK



\* Dimensions will vary for different install methods due to different fittings

## INSTALL METHOD



BBQ Sits Directly Onto Cabinetry  
Recommended Cut Out Dimensions:  
(w) >405mm x (h) 580mm x (d) 164mm

**WARNING:** Technical specifications and product sizes can be varied by the manufacturer without notice. Cut outs for appliances should only be physical product measurements. The above information is indicative only.  
This BBQ can only be operated in outdoor environments. Minimum clearances to combustible materials must be maintained.  
For Natural Gas Conversion please refer to the product user manual. This processed should only be done by an authorised professional.

**DO NOT CUT YOUR CABINETRY OR BENCH TOPS UNTIL YOU HAVE PHYSICALLY RECEIVED YOUR SIRIUS BBQ TO ENSURE OPTIMUM RESULTS. THE CUT OUT DIMENSIONS PROVIDED ON THIS SHEET ARE INDICATIVE ONLY AS REQUIREMENTS FOR EACH INSTALL WILL VARY. UPON RECEIVING YOUR SIRIUS BBQ, INDIVIDUALLY MEASURE THE RELEVANT SECTIONS TO ENSURE OPTIMUM FITTINGS.**