

850mm ONBOARD UNDERMOUNT RANGEHOOD - SINGLE MOTOR

SL906DL850



Rangehood type	Undermount
Control	Button
Speed settings	4
Ducting diameter	150mm
Extraction type	Onboard motor
Green Energy Motor	Single aluminium motor
Extraction	1020m ³ /h
Filter	25mm stainless steel baffle
Dynamic Lighting	Adjustable and dimmable lighting
Induction Countdown Control	Yes
Electrical requirement	10A
Dimensions (mm)	W850 x D290 x H350
Weight	23kg
Cut-out dimensions (mm)	W830 x D265
Warranty	3 years (6 years when Sirius ducting is used)



**GREEN ENERGY
SINGLE MOTOR**



**25mm BAFFLE
FILTERS**



**1020m³/h
AIRFLOW**



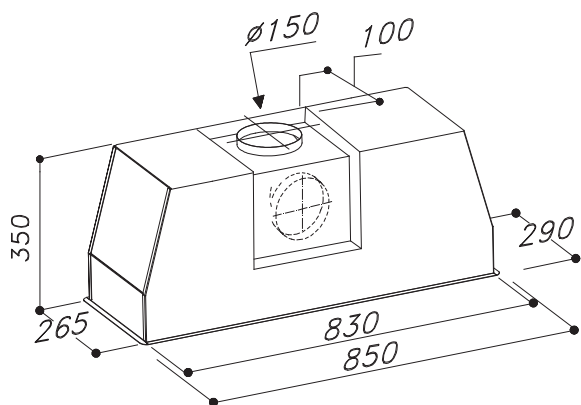
**INDUCTION
SAFE**



**DYNAMIC
LIGHTING**

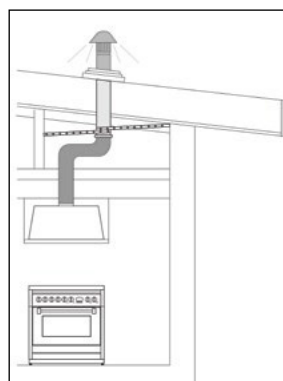


**HANDCRAFTED
IN ITALY**

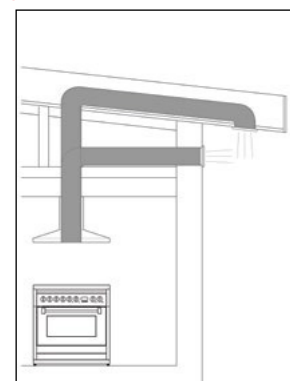


*Product dimension includes trim

Ducting options



Roof ducted



Eave or Wall ducted

- Use semi-rigid or rigid ducting, not fully flexible foil ducting.
- Fewer bends means a quieter and more powerful extraction.
- Bonus 3 years warranty when Sirius ducting is used (total 6 years).
- See [support page](#) on Sirius website for installation videos and FAQs.

WARNING: technical specifications and product sizes can be varied by the manufacturer, without notice. Cut outs for appliances should only be by physical product measurements. The above information is indicative only.

Distributed by Arisit Pty Ltd