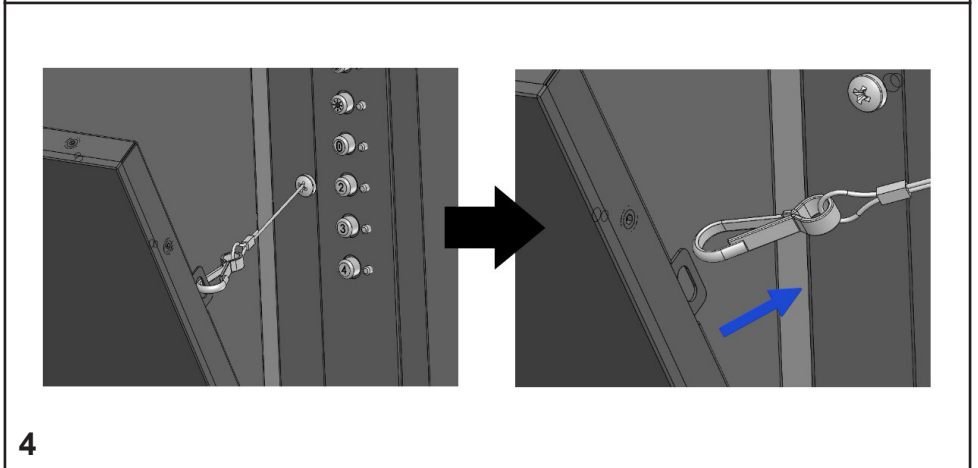
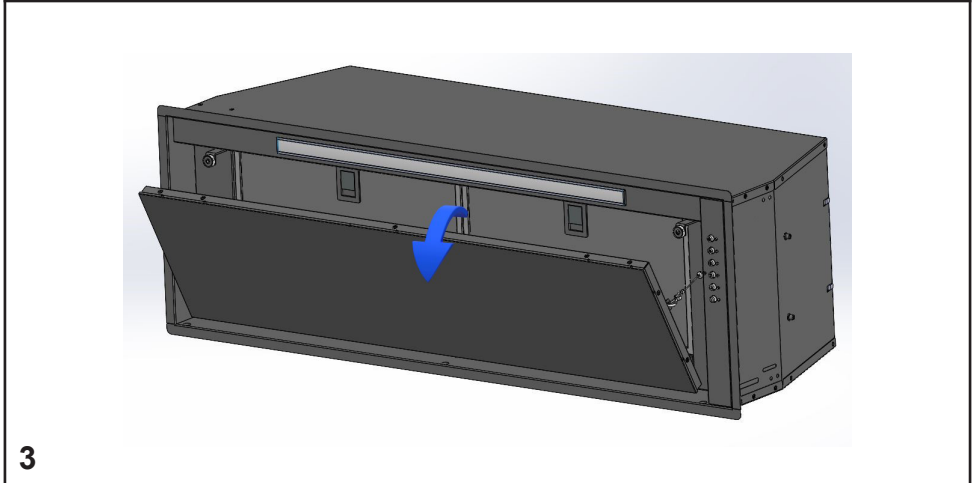
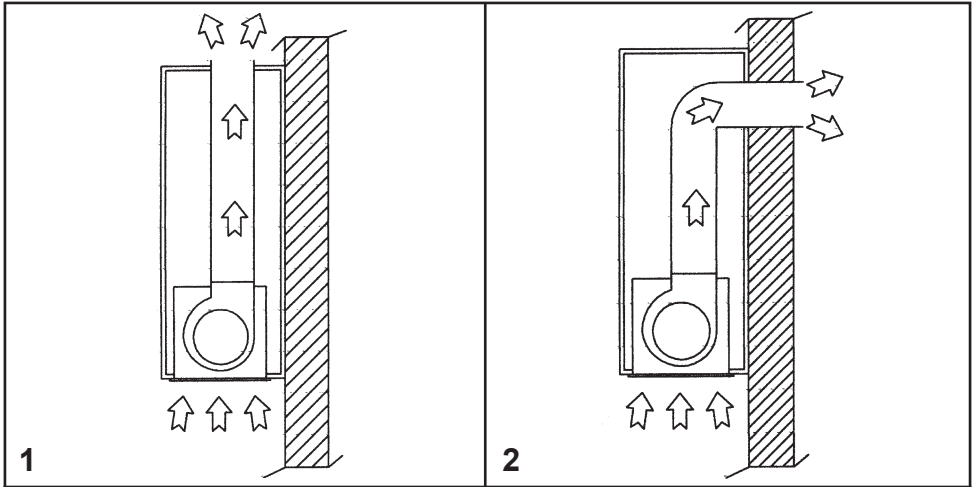


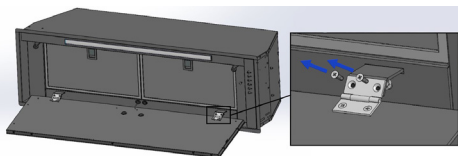
Ⓒ INSTALLATION, USE AND MAINTENANCE INSTRUCTION

## SL927 ANTIDROP

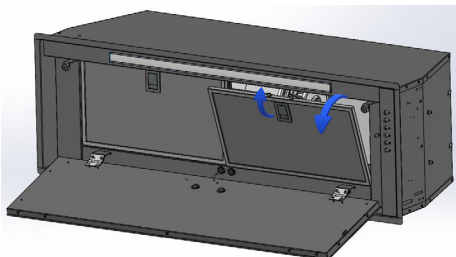




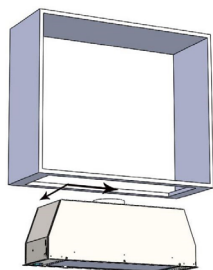




5

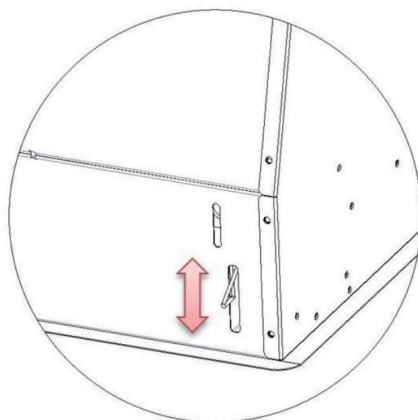


6

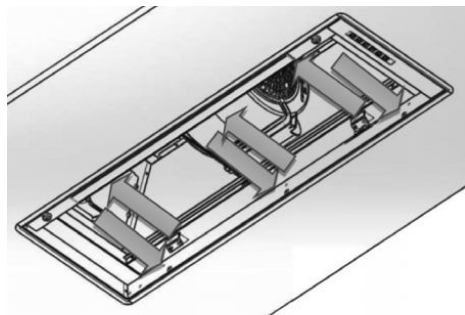


SL927 52 - 502mm X 265mm  
SL927 85 - 835mm X 265mm

7



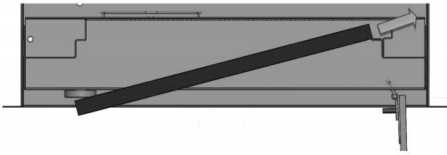
8



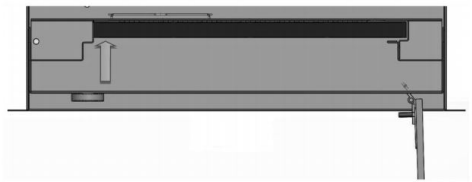
9



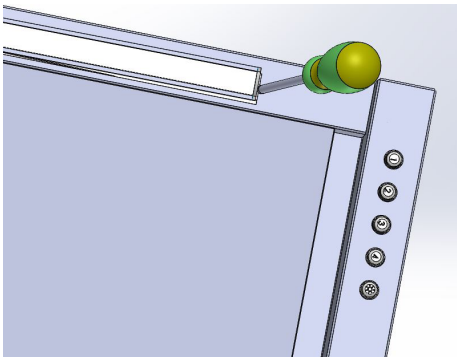
10



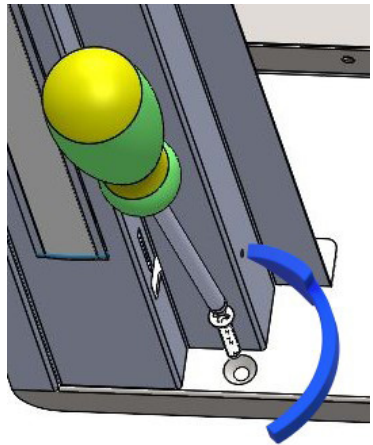
11



12



13



14

# CONTENTS

GB

**Warnings**

**Uses**

**Installation**

**Working**

**Maintenance**

## WARNINGS

- The air must not be discharged into a flue that is used for exhausting fumes from appliances burning gas or other fuels (not applicable to appliances that only discharge the air back into the room)
- When the cooker hood is used in conjunction with appliances supplied with energy other than electric (e.g. gas burning appliances), a sufficient degree of aeration must be guaranteed in the room (not applicable to appliances that only discharge the air back into the room).
- It is not allowed to cook food over open flames (flambé) or operate gas hobs without pots or pans on them under the hood itself (the flames sucked into the hood might damage the appliance).
- Before connecting to the mains supply ensure that the mains voltage corresponds with the voltage on the rating plate inside the hood.
- Before carrying out any kind of maintenance or cleaning, disconnect the hood from the mains supply.
- The minimum safety distance between the cooker top and the extractor hood is 650 mm.
- If a stationary appliance is not fitted with a supply cord and a plug, or with other means of disconnection from the supply mains, it is necessary to predict a contact separation in all poles that provide full disconnection under overvoltage category III conditions.
- Regular maintenance and cleaning will ensure good performance and reliability, while extending the working life of the hood.
- All appliances are Class I, so it is necessary to check that the domestic power supply guarantees adequate earthing.
- This appliance can be used by children aged from 8 years and above and persons with reduced physical, sensory or mental capabilities or lack of experience and knowledge if they have been given supervision or instruction concerning use of the appliance in a safe way and understand the hazards involved
- Children shall not play with the appliance
- Cleaning and user maintenance shall not be made by children without supervision.
- Failure to carry out cleaning as indicated will result in a fire hazard.

- Before commencing the installation, check that all components are not damaged, otherwise contact the dealer and do not continue with the installation.
- Accessible parts of the hood may become hot when used with cooking appliances.
- In the event of damage to the power cable, it must be replaced by the manufacturer or by the technical service department, in order to prevent any risks.
- For hood models with EXTERNAL MOTOR, the external motor is powered directly by the kitchen hood.
- The manufacturer will not be held liable for any damages resulting from incorrect or improper installation.
- Repairs must be performed only by an authorised technician. Always disconnect the hood before carrying out cleaning or maintenance operations.
- Never use steam or high-pressure devices for cleaning your hood.
- Respect the guidelines for cleaning and replacement of grease filters. Accumulated deposits of grease are a fire hazard.
- Never use the cooker hood without the grease filters.
- During the installation of the product, to avoid the accidental opening of the panel during assembly, carry out the following steps:
  - open the panel;
  - check that the panel is well hooked to the safety snap hook;
  - close the panel very tightly by attaching the inside with the fixing magnets.



## USES

The appliance is already arranged both for filtering and for suction performances.

- In its **filtering version** (Pic. 1), the air and fumes conveyed by the appliance are depured both by a grease filter and by an active coal filter, and put again into circulation through the hole made on the top of the cabinet.

- In its **sucking version** (Pic. 2), fumes are directly conveyed outside, through an evacuation duct connected with the superior part of the wall or the ceiling. Both coal filter and air deflector are not necessary in this case.

## INSTALLATION

In order to ease the installation of the product inside the cabinet, it is recommended to open the glass (Pic. 3), release the safety snap hook (Pic. 4) and remove the glass, unscrewing the four screws as shown in Pic. 5.

Before installing the appliance, make sure that none of the parts is damaged in any way. In case of damaged parts, contact your retailer and do not proceed with installation.

Read all of the following instructions with care before installing the appliance.

- Before installing the appliance, remove the metal grease filter (Pic. 6).

To install the appliance please respect the following instructions.

The appliance must be installed by competent authorities. In order to do not damage the electronic parts of the appliance please do not use added screws.

Essential precautions to respect before installing the appliance are the following:

- Prepare the power supply.
- Prepare a hole for the exhaust of the air both in the filtering and in the exhausting version.
- Use an exhausting pipe whose maximum length does not exceed 5 meters.
- Do not use screws to fix the outlet pipe to the cooker hoods.
- Limit the no. of elbows in the piping, since each elbow reduces the aspiration efficiency of 1 linear meter. (Ex.: if you use no. 2 x90 ° elbows, the length of piping must not exceed 3 meters)
- Avoid abrupt direction changes.
- Use a 150 mm or 200 mm constant diameter pipe for the whole length.
- Use piping approved by standards in force.
- In the units equipped with 2 motors please use a 200mm constant diameter pipe for the whole length.

To have made a cut-out on the bottom of the cabinet which is suitable to hold the appliance in position (Fig. 7).

SL927 da 520 - 502mmx265mm

SL927 da 850 - 835mmx265mm

Right now, after drilling the kitchen cabinet please follow carefully the instructions above, calibrate the fixing spring depending on the depth of cabinet. (Pic. 8).

At this point, insert the range hood inside the kitchen cabinet until the fixed springs will be hooked into.

Fix the range hood to the cabinet, in the front and rear sides, using by the screws equipped (Pic. 9).

At the end, place the grease filters that were removed before.

### **Warning!**

Before connecting the flexible exhausting pipe to the motor, make sure the stop valve, which is on the air outlet of the motor, can swing.

### **Exhausting version**

Connect the flange to the exhausting hole with an appropriate pipe. Connect the appliance with the electrical mains through the supply cord.

### **Filtering version**

Connect the flange with a pipe suitable to convey the air to the top of the cabinet. Connect the appliance with the electrical mains through the supply cord.

## WORKING

### **Model: SL927 (Pic. 10)**

A: ANTI-DROP SYSTEM switch On/Off

This is an innovative anti-condensation system, based on thermal resistances inside the glass panels or the stainless steel panels. By heating the surface in contact with the vapours coming from the induction hob, this system does not allow condensation or water drops to develop and fall on the hob.

It is recommended to switch on the hood a few minutes before starting cooking to allow the lower surfaces to heat up and keep it running until the odours disappear.

The button is active and red only with the motor running at any speed.

If the motor is switched off automatically, the anti-drop control (A button) is also switched off.

B: Light switch on/off

C: Motor switch on/off (1st rate level)

D: 2nd rate level switch

E: 3rd rate level switch

F: 4th rate level switch

The Timer function (10 minutes) is set by holding down the button (C or D or E or F).

Pressing and holding for 3 seconds sets the Timer function which lasts 10 minutes before turning off the product completely (lights-anti-drop and motor). During the 10 minutes the LED corresponding to the set button (C or D or E or F) flashes.

To turn off the function simply increase or decrease the speed or press the set button again for 3 seconds.

The products are endowed with an electronic device which allows the automatic switching off after 4 hours working from the last operation.

## **DIMMABLE LIGHTS FUNCTION**

THIS FUNCTION PROVIDES FOR LIGHTS DIMMABILITY, RANGING FROM 20% TO 100% , BY CONTINUOUSLY PRESSING THE LIGHT KEY (PIC.10 B) ON THE REMOTE CONTROL. FUNCTIONS ARE THE FOLLOWING:

- HOOD LIGHT OFF - SHORTLY PRESS THE KEY - LIGHT ON AT 100%.

- LIGHT ON AT 100% - SHORTLY PRESS THE KEY - LIGHT OFF.

- LIGHT ON AT 100% - CONTINUOUSLY PRESS THE KEY - BRIGHTNESS REDUCTION.

- RELEASING THE KEY DURING REDUCTION OR INCREASE - LIGHT KEEPS THE LUMINOUS INTENSITY REACHED.

- LIGHT ON - DIMMED - CONTINUOUSLY PRESS THE KEY - BRIGHTNESS IS INVERTED IF COMPARED TO THE PREVIOUS FUNCTION.

## COLOUR TEMPERATURE SETTING

Make sure that the lights and the fan are off.

Holding down the 0/1 key (Pic.10 C) will turn on the light at the previously set colour temperature. Press and hold the Light key (Pic. 10 B) to change the colour temperature.

As long as the key is kept pressed, the colour temperature is changed from warm to cold, just leave the Light key (Pic. 10 B) to select the desired colour.

Exit the colour temperature selection function by pressing the 0/1 key (Pic. 10 C).

## ALARMS AND ANOMALIES

### FILTERS SATURATION WARNING ALARM

After 30 hours of cumulative work of the product, the filter saturation alarm is signalled through the blinking of the speed indicators (buttons C,D,E,F) to product off for 30 seconds.

To reset the alarm, press the button IV speed (F) during signalling.

The automatic reset of the filter saturation alarm signal occurs after an additional 10 hours of continuous work of the product.

### TEMPERATURE SENSOR FAULT

In the event of a failure of the temperature sensor, the anti-drop button (A) flashes red and in this condition the resistance is not powered.

Sensor failure means the following:

- Detected temperature value below 0°C;
- Broken or absent sensor;
- Detected temperature value equal to or greater than 70°C, or sensor shorted.

## MAINTENANCE

- An accurate maintenance guarantees good functioning and long-lasting performance.

- Particular care is due to the grease filter. It can be removed by pushing its special handle toward the back-side of the cooker hood and turning the filter downwards so to unfasten it from its slot (Pic. 6).

To insert the filter just perform the opposite operation.

The grease filter needs cleaning by regular hand-washing or in dishwashers every two months at least or depending on its use.

In the filtering version, it is necessary to replace the carbon filter (Pic. 11 - 12) periodically.

The carbon filter can be removed by first removing the grease filter (picture 6) and then pulling the appropriate plastic tab of the carbon filter by releasing it from its seat (Pic. 11 - 12). The carbon filter is installed in the reverse operation. The replacement of the carbon filter takes place in relation to its use, at least once every six months.

- To clean the appliance itself tepid water and neutral detergent are recommended, while abrasive products should be avoided. For steel appliances specialized detergents are recommended (please follow the instructions indicated on the product itself to obtain the desired results).

- **Warning!** To take down the appliance from the cabinet, remove the definitive fixing screws (Pic. 14) using a screw-driver, get off the grease filters (Pic. 6).

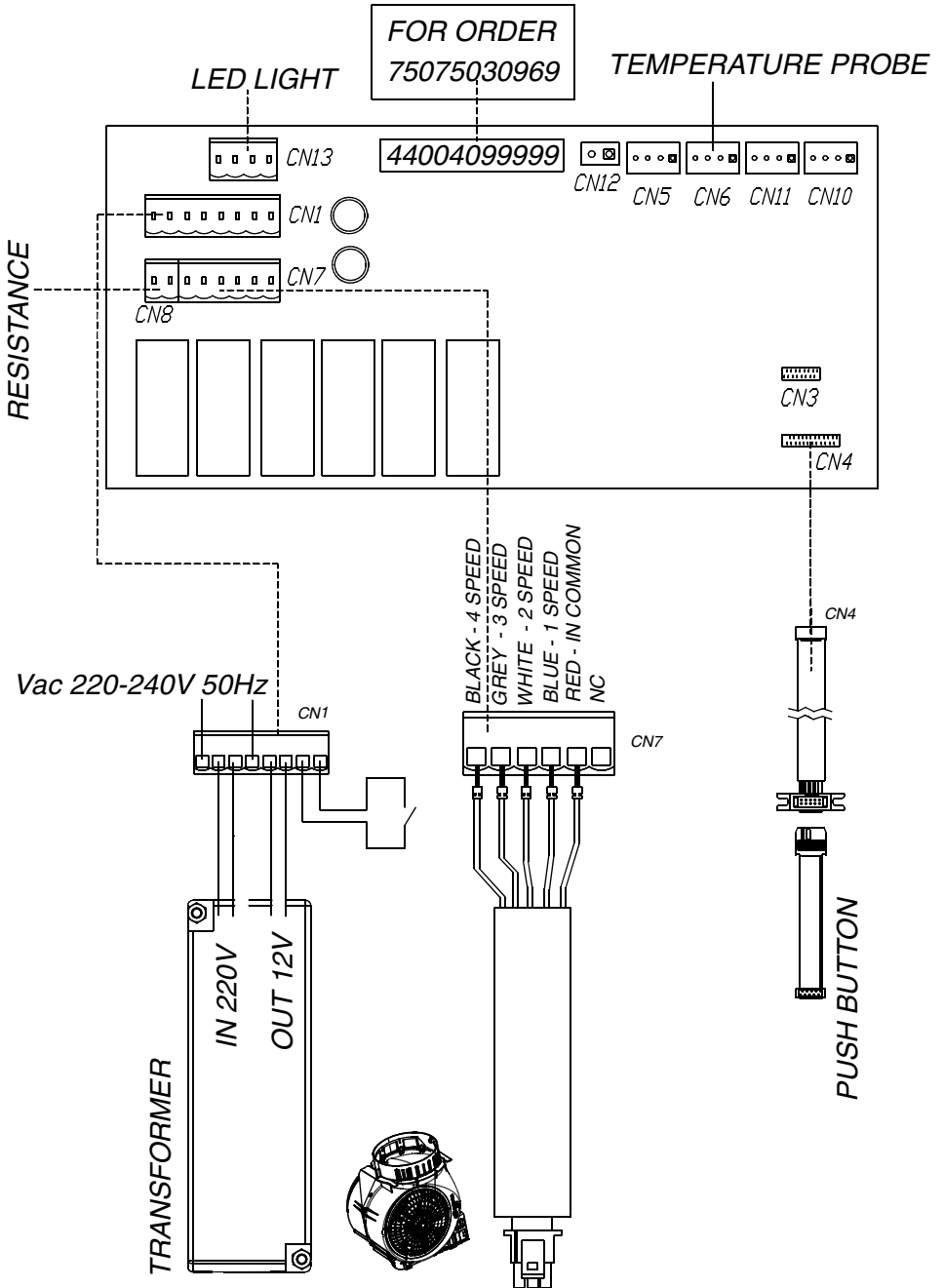
Act on the small handle of the springs, which are inside the built-in unit, with the necessary strength to unhook the appliance from the cabinet.

\* If the supply cord is damaged, it must be replaced by the manufacturer or its service agent or a similarly qualified person in order to avoid a hazard.

### To replace the LED bar SL927

Remove the grease filter and put pressure on the led bar placed in the internal part of the built-in hood until you can unhook the springs, then disconnect the connector and replace the bar with a similar one (Pic. 13)

# WIRING DIAGRAM SL927 ANTIDROP



GB



The symbol on the product or on its packaging indicates that this product may not be treated as household waste. Instead it shall be handed over to the applicable collection point for the recycling of electrical and electronic equipment. By ensuring this product is disposed of correctly, you will help prevent potential negative consequences for the environment and human health, which could otherwise be caused by inappropriate waste handling of this product. For more detailed information about recycling of this product, please contact your local city office, your household waste disposal service or the shop where you purchased the product. This appliance is marked according to the European directive 2012/19/EC on waste electrical and electronic equipment (WEEE).





