

1200mm CANOPY OFFBOARD RANGEHOOD STAINLESS STEEL FINISH

SLEM80BBQ1200



Rangehood type	Canopy/Alfresco
Control	Button
Speed settings	4
Ducting diameter	200mm
Extraction type	Offboard motor
Motor*	SEM7 XS316, SEM8,
Filter	25mm stainless steel baffle
Lighting	4 x adjustable LED
10 minute run-on timer	Yes
Electrical requirement	10A
Dimensions (mm)	W1200 x D700 x H690-1130
Warranty	3 years (6 years when Sirius ducting is used)

MARINE GRADE: Sirius offers a selection of extraction motors and alfresco hoods in a marine-grade finish. If you live within 5km of the coast, your motor and hood will be functional for years to come with a marine grade rangehood.



25mm **BAFFLE**
FILTERS



10 MINUTE
RUN-ON TIMER



EUROPEAN-
MADE MOTOR

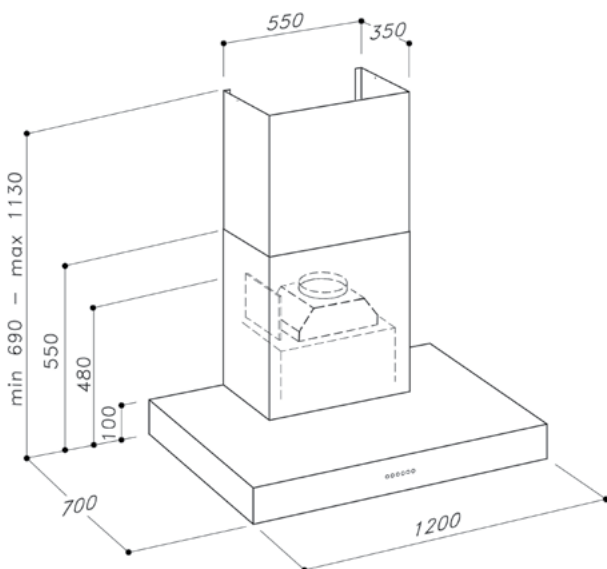


LED
LIGHTING

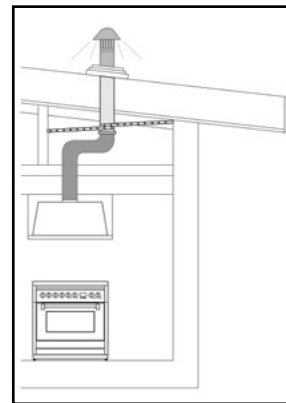


HANDCRAFTED
IN ITALY

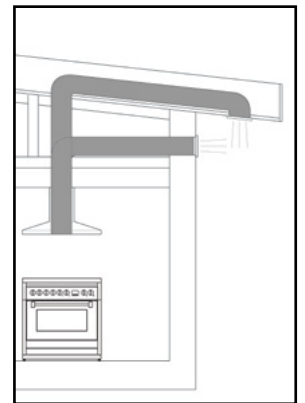
Ducting options



*Outdoor offboard motors have a marine grade finish as standard for added resistance to coastal weather elements.



Roof ducted



Eave or Wall ducted

- Can be used with SEM 7 XS316, or SEM 8.
- Use semi-rigid or rigid ducting, not fully flexible foil ducting.
- Fewer bends means a quieter and more powerful extraction
- Extra 3 years warranty when Sirius ducting is used (total 6 years)
- See [support page](#) on Sirius website for installation videos and FAQs

WARNING: technical specifications and product sizes can be varied by the manufacturer, without notice. Cut outs for appliances should only be by physical product measurements. The above information is indicative only.

Distributed by Arisit Pty Ltd

40-50 Mark Anthony Drive, Dandenong South VIC 3175

Ph: 1300 762 219

Fax: 03 9768 0838

Website: www.arisit.com

www.siriusbrand.com