



**Congratulations on your purchase!
Thank you for choosing a Sirius product.**

SL927 HEATED MODELS
RANGEHOOD INSTALLATION INSTRUCTIONS

SL927ELHD85
SL927ELH85
SL927ELHD52
SL927ELH52

EAN#9351116006112
EAN#9351116006105
EAN#9351116006129
EAN#9351116006099



BEFORE YOU INSTALL	3
LINE DRAWINGS	4
DUCTING AND CLEARANCES	9
INSTALLING THE RANGEHOODS	11
USING THE RANGEHOOD / MAINTENANCE	13
REPLACING THE LED LIGHT	15
WIRING DIAGRAM	16
WARRANTY INFORMATION	18

BEFORE YOU INSTALL - DUCTING INFORMATION

Sirius warranty covers only Sirius product. If you choose to install a non-Sirius branded accessory such as flexible ducting, Sirius will only warrant the rangehood and motor. If installation is found to be the cause of failure or issue then charges will apply for service and parts.

Flexible ducting is not permitted under any circumstances. Flexible ducting has been found to increase noise levels, increase vibration and reduce airflow. Sirius Semi-rigid or solid ducting can be used in lieu. There is a range available to suit any application.



WARNING



The appliance must be installed and connected to the power supply only by a qualified technician.

- There should be adequate ventilation of the room when the rangehood is used at the same time as appliances burning gas or other fuels (not applicable to appliances that only discharge the air back into the room)
- The details concerning the method and frequency of cleaning
- There is a fire risk if cleaning is not carried out in accordance with the instructions;
- Do not flambé under the range hood;
- CAUTION: Accessible parts may become hot when used with cooking appliances.
- CAUTION: Accessible parts may become hot when used with cooking appliances.
- Range hoods and other cooking fume extractors may adversely affect the safe operation of appliances burning gas or other fuels (including those in other rooms) due to back flow of combustion gases. These gases can potentially result in carbon monoxide poisoning. After installation of a range hood or other cooking fume extractor, the operation of flued gas appliances should be tested by a competent person to ensure that back flow of combustion gases does not occur.
- Means for disconnection must be in-governance with local, state and national building regulations fixed wiring in accordance with the wiring rules.

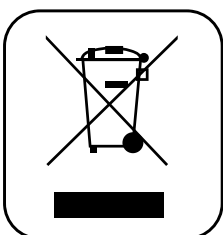
Ducting available at www.siriusbrand.com

6 Year Warranty when Sirius Ducting is used. Full replacement warranty on parts and labour.

See website for terms & conditions.

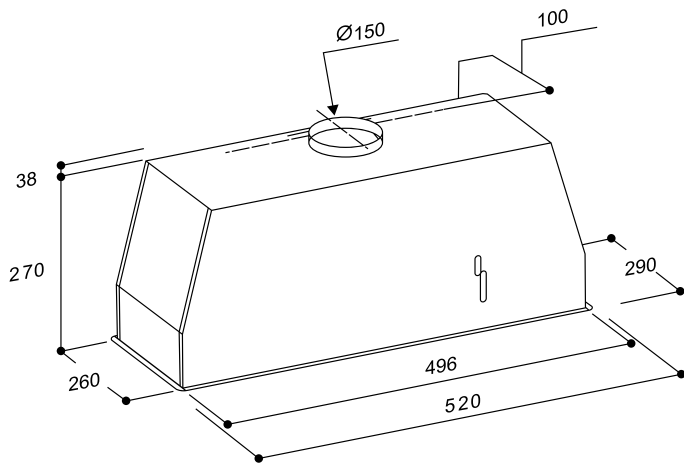
A reduction in the duct diameter from stated ducting size will void warranty.

If you are in doubt about the ducting, please contact Sirius on 1300 762 219 prior to installation

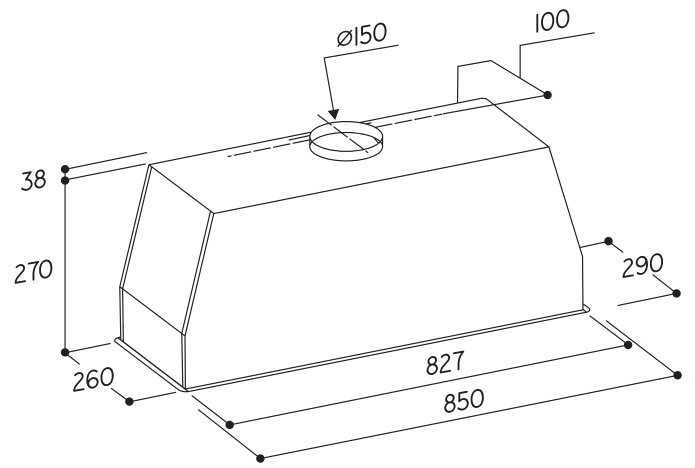


The symbol on the product or on its packaging indicates that this product may not be treated as house-hold waste. Instead it shall be handed over to the applicable collection point for the recycling of electrical and electronic equipment. By ensuring this product is disposed of correctly, you will help prevent potential negative consequences for the environment and human health, which could otherwise be caused by inappropriate waste handling of this product. For more detailed information about recycling of this product, please contact your local city office, your household waste disposal service or the shop where you purchased the product. This appliance is marked according to the European directive 2/96/EC on waste electrical and electronic equipment (WEEE).

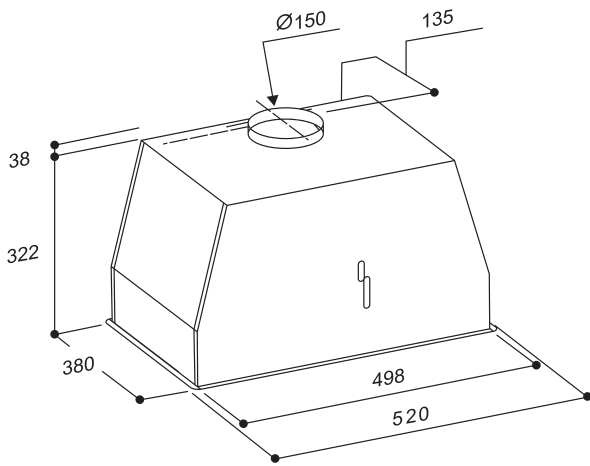
LINE DRAWINGS



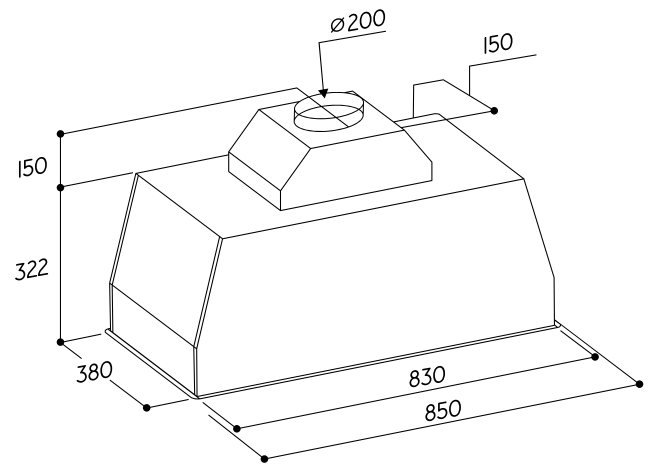
SL927ELH52



SL927ELH85

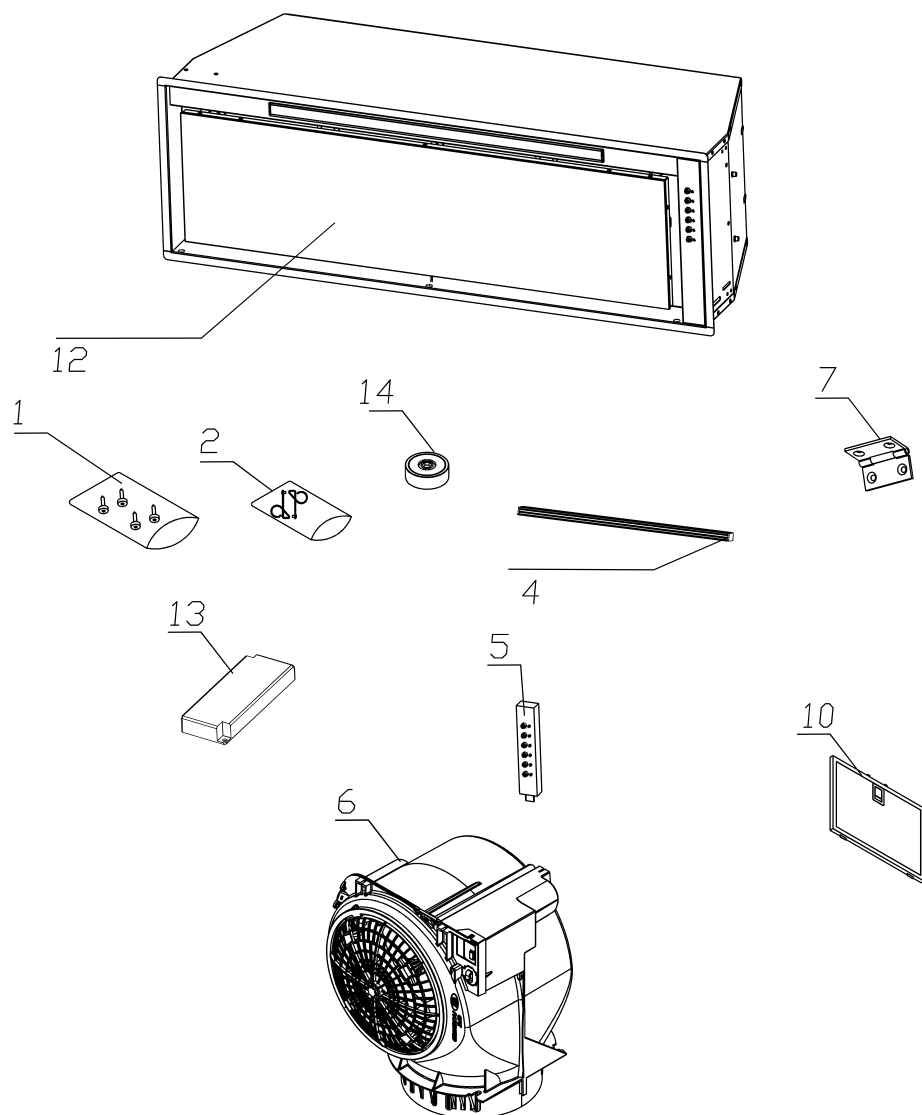


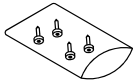


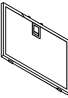



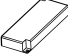


SL927ELHD52



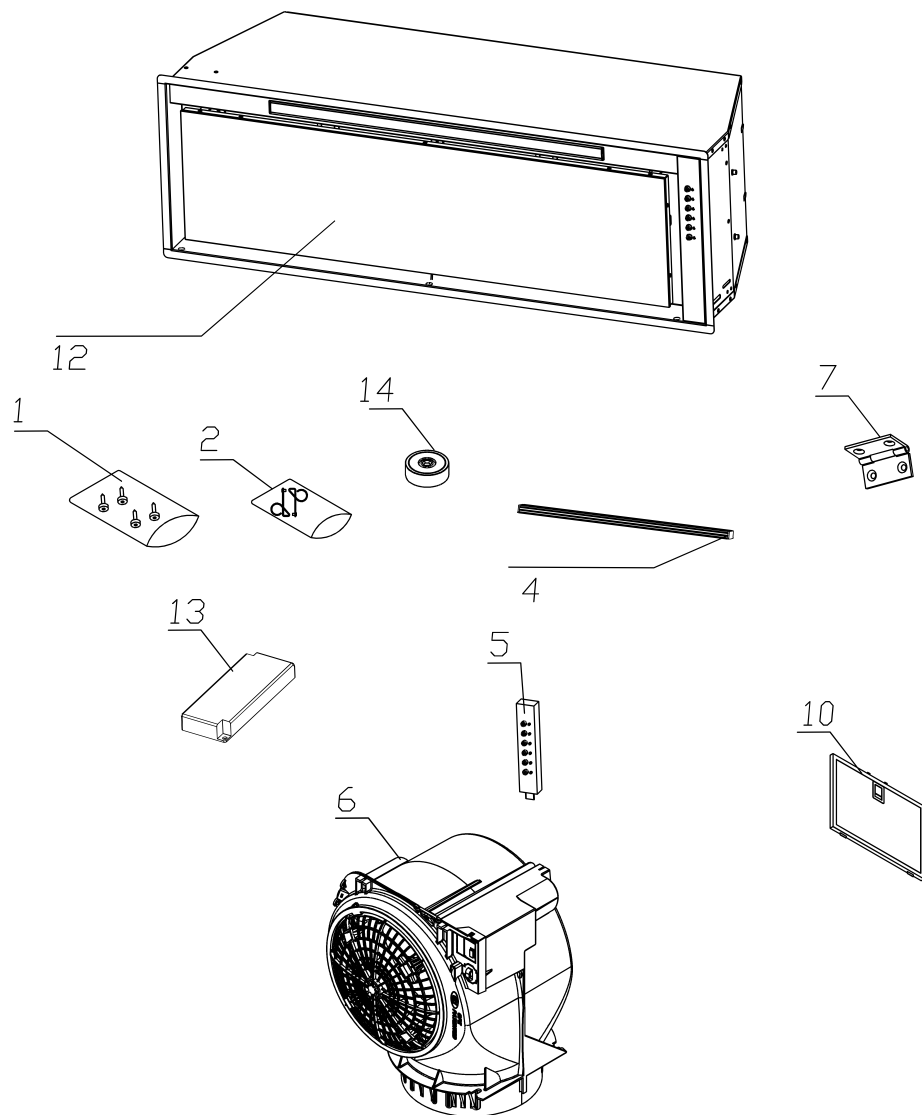
SL927ELHD85

PARTS FOR SL927ELH52



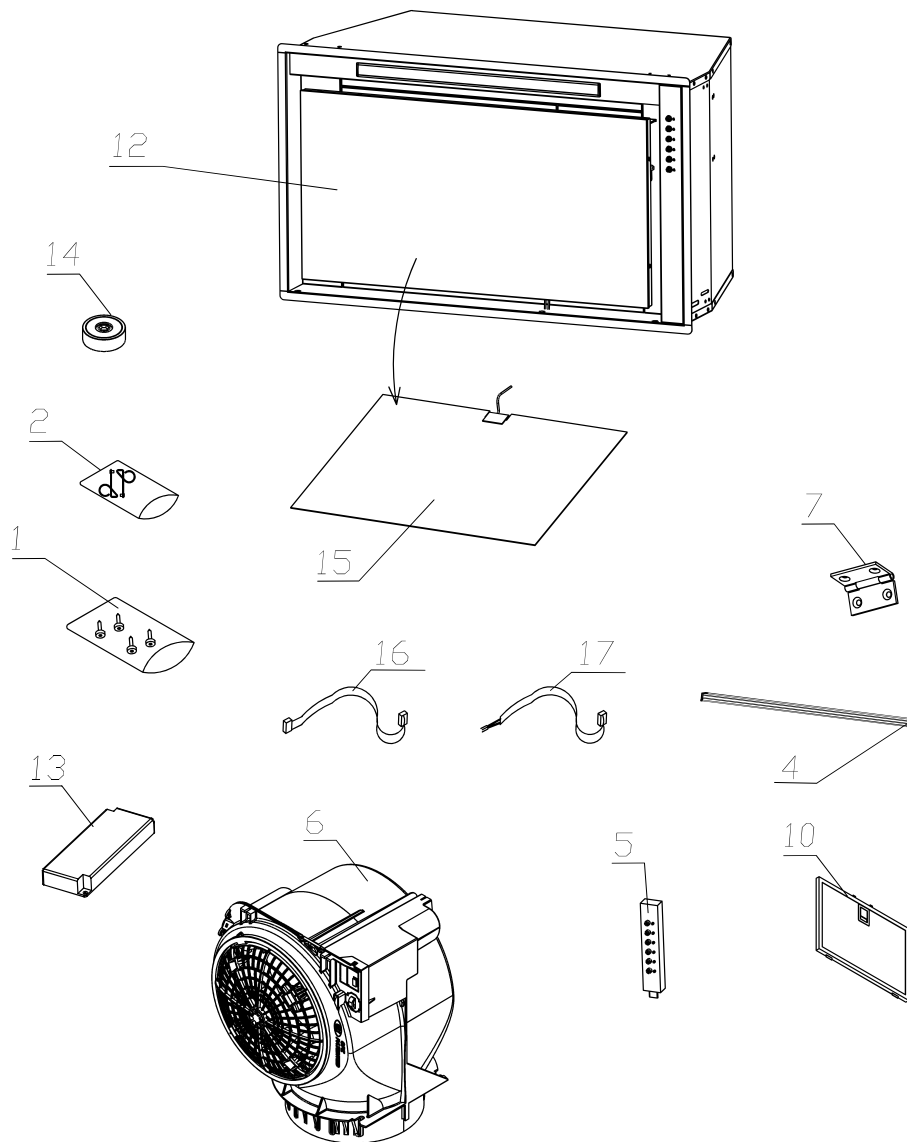
#	Description	qty	#	Description	qty
1	 Accessory Bag for Undermount Rangehoods (SPS-77008199999)	1	7	 Flat Milled Hinge (SPS-75096003003)	1
2	 Springs for undermount rangehoods (SPS-77009599999)	1	10	 Filter (SPS-75080913028 520mm Rangehoods)	1
4	 LED Bar (SPS-75001320028 520mm Rangehoods)	1	12	 Black Glass (SPS-75009270217)	1
5	 Button Panel (SPS-75009270999)	1	13	 Transmitter (SPS-75070092304)	1
6	 Plastic Motor (SPS-75051007000)	1	14	 Magnet for glass (SPS-75007026155)	1

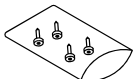


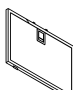

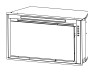

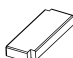


PARTS FOR SL927ELH85



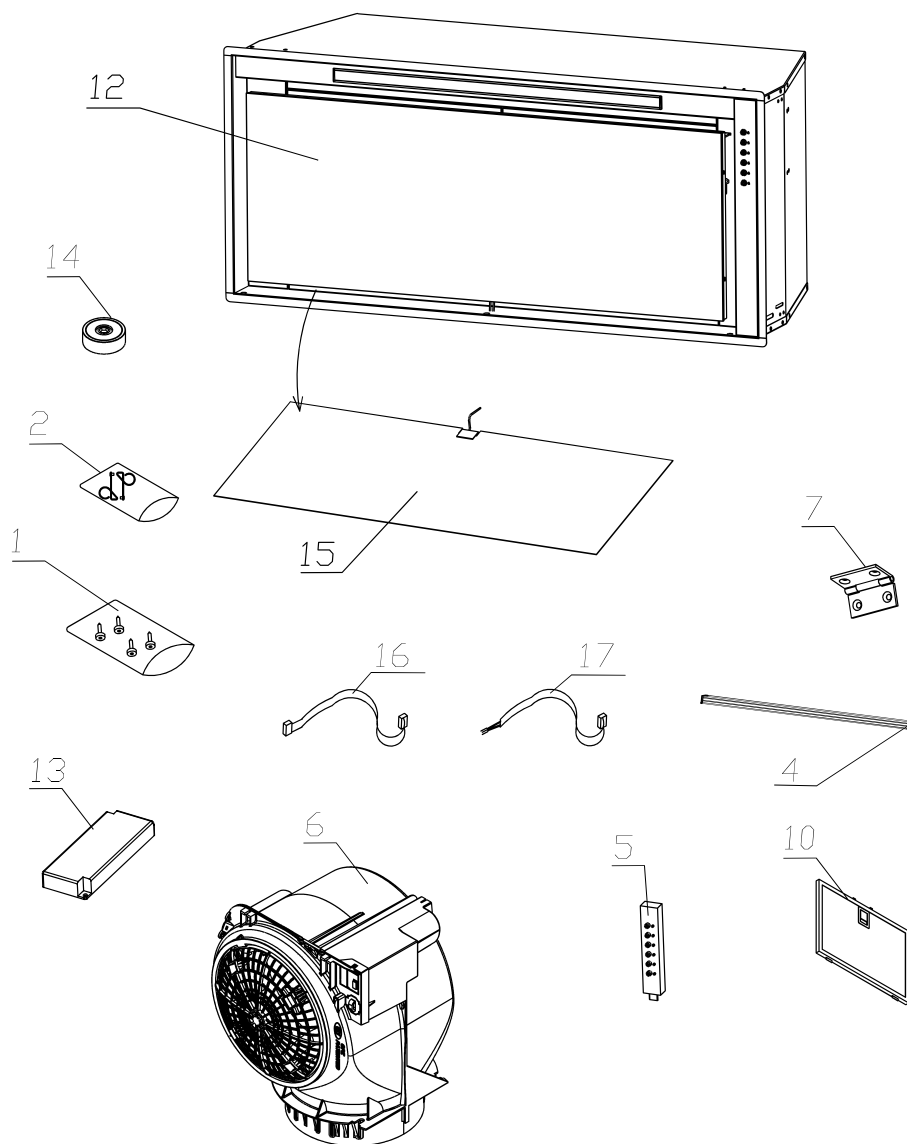
#	Description	qty	#	Description	qty
1	 Accessory Bag for Undermount Rangehoods (SPS-77008199999)	1	7	 Flat Milled Hinge (SPS-75096003003)	1
2	 Springs for undermount rangehoods (SPS-77009599999)	1	10	 Filter (SPS-75009230044 850mm Rangehoods)	1
4	 LED Bar (SPS-75001515029 850mm Rangehoods)	1	12	 Black Glass (SPS-75009270560)	1
5	 Button Panel (SPS-75009270999)	1	13	 Transmitter (SPS-75070092304)	1
6	 Plastic Motor (SPS-75051007000)	1	14	 Magnet for glass (SPS-75042964553)	1

PARTS FOR SL927ELHD52



#	Description	qty	#	Description	qty
1	 Accessory Bag for Undermount Rangehoods (SPS-77008199999)	1	7	 Flat Milled Hinge (SPS-75096003003)	1
2	 Springs for undermount rangehoods (SPS-770 09599999)	1	10	 Filter (SPS-75009270012)	1
4	 LED Bar (SPS-75001320028 520mm Rangehoods)	1	12	 Black Glass (SPS-75009270251)	1
5	 Button Panel (SPS-75009270999)	1	13	 Transmitter (SPS-75070092304)	1
6	 Plastic Motor (SPS-75051007000)	1	14	 Magnet for glass (SPS-75042964553)	1

PARTS FOR SL927ELHD85



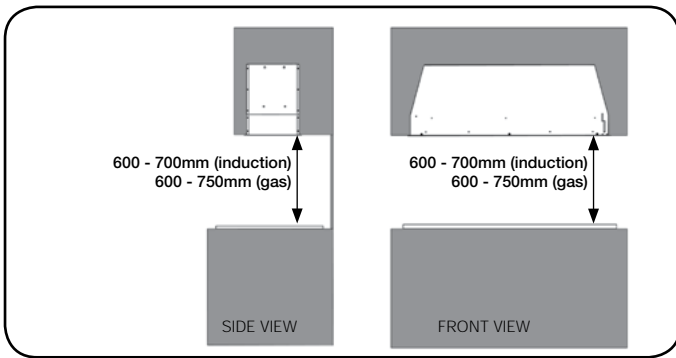
#	Description	qty	#	Description	qty
1	 Accessory Bag for Undermount Rangehoods (SPS-77008199999)	1	7	 Flat Milled Hinge (SPS-75096003003)	1
2	 Springs for undermount rangehoods (SPS-77009599999)	1	10	 Filter (SPS-75009270012)	1
4	 LED Bar (SPS-75001515029 850mm Rangehoods)	1	12	 Black Glass (SPS75009270234)	1
5	 Button Panel (SPS-75009270999)	1	13	 Transmitter (SPS-75070092304)	1
6	 Plastic Motor (SPS-75051007000)	1	14	 Magnet for glass (SPS-75042964553)	1

DUCTING AND CLEARANCES



Min. 600mm - Max. 700mm for induction cooktops.
Min. 650mm - Max. 750mm gas cooktops.

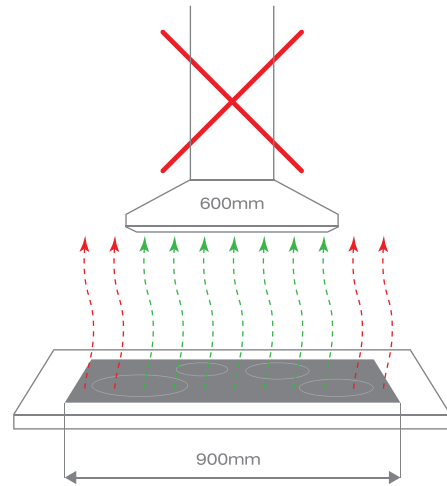
If the rangehood is positioned above the max height recommended, warranty may be compromised as performance of the rangehood will be affected. Measurement is taken from the top of the trivets to the underside of the hood. (Fig.1)



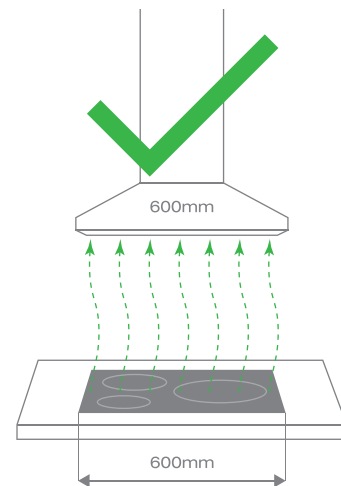
(Fig. 1)

- The air being drawn can't be conveyed through or into a duct used to let out fumes from appliances fed by energy other than electric power (eg. centralized heating, radiators, water heaters, etc.).
- Attention: remove any possible PVC film from the stainless steel, including the filters.
- To externally vent, please comply with the pertaining rules given by competent authorities.
- Provide the room with an adequate ventilation when a rangehood and appliances fed by energy other than electric power (gas, oil, or coal stoves, etc.) are used simultaneously. The rangehood, when evacuating the air, could generate a negative pressure in the room which can't exceed the limit of 0.04 mbar, in order to avoid the suck of exhausts deriving from the heat source. Therefore the room should be provided with air intakes to allow a constant flow of fresh air.
- The minimum distance between the supporting surface for the cooking vessels (trivets) on the hob and the lowest part of the range hood (filter). This distance shall be at least 60 cm. If the instructions for installation specify a greater distance, this has to be taken into account.

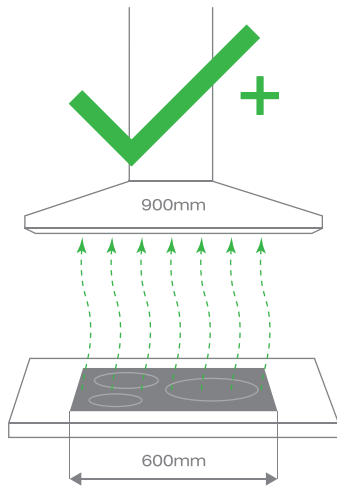
RANGEHOOD VS COOKTOP SIZE



Using a rangehood that is smaller than the cooktop may void the warranty and will result in a poor performance. The rangehood needs to be adequately sized to effectively capture and remove smoke, steam, and cooking odours.

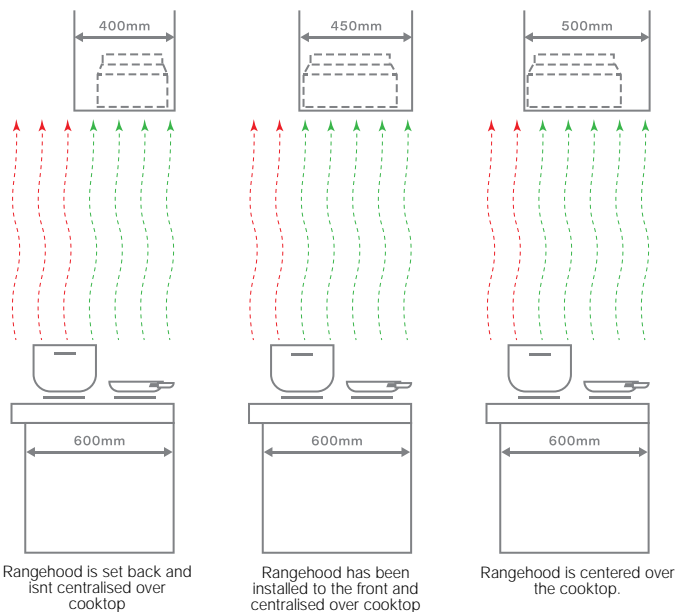


For optimal performance, it is crucial to match the rangehood size to the cooktop. This ensures the cooking area is covered and extraction is being pulled from correct area.



For even better performance especially for cooking with multiple burners and strong odours, it may be recommended to use a rangehood larger than the cooktop area. Please also note Induction cooktops produce 50% more condensation than gas so please also take this into consideration when choosing the best rangehood for your kitchen.

POSITION FOR OVERHEAD CABINET RANGEHOOD INSTALLATION



Rangehood is set back and isn't centralised over cooktop

Rangehood has been installed to the front and centralised over cooktop


Rangehood is centered over the cooktop.


Please note this is side view only

Before installing the rangehood, it is essential to take into account the depth of the benchtop and overhead cabinetry.

The following information serves as a general guide; the diagrams are not to scale and may not cover all situations. In the diagrams, the cooktop is centrally positioned on the benchtop.

If the overhead cabinetry extends deeper than usual, position the rangehood as close to the front as possible. This will optimize extraction by covering more of the cooktop surface.

If the rating label in the rangehood shows the symbol , the appliance is built in class II° and it **does not need** any earth connection.

If the rating label in the rangehood does not show the symbol , the appliance is built in class I° and it **needs** the earth connection.

When performing the electrical connections on the appliance, please make sure that the current-tap is provided with earth connection and that voltage values correspond to those indicated on the label placed inside the appliance itself.

Before carrying out any cleaning or maintaining operations, the appliance needs to be switched off. If the appliance is not provided with a non-separable flexible cable and plug, or with another device ensuring omnipolar disconnections from the grid, with an opening distance between the contacts of at least 3mm, then such disconnecting devices must be supplied within the fixed installation.

If the fixed appliance is endowed with a supply cord and a plug, the appliance has to be put in a place where the plug can be reached easily.

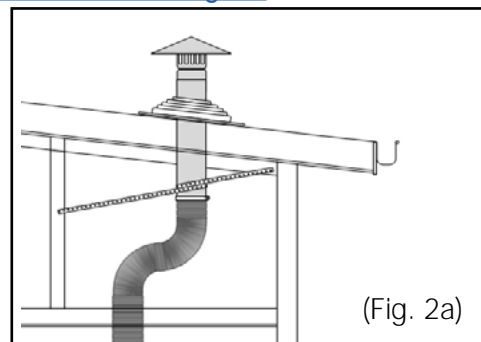
The use of materials which can burst into flames should be avoided in close proximity of the appliance. When frying, please pay particular attention to fire risk due to oil grease. Being highly flammable, fried oil is especially dangerous. Do not use uncovered electric grills. In order to avoid possible fire risk, all instructions for grease-filter cleaning and for removing eventual grease deposits should be strictly followed.

When ducting rangehood, options are as follows:

Roof vent - EASYROOF 150T/M

*Kit includes roof flashing

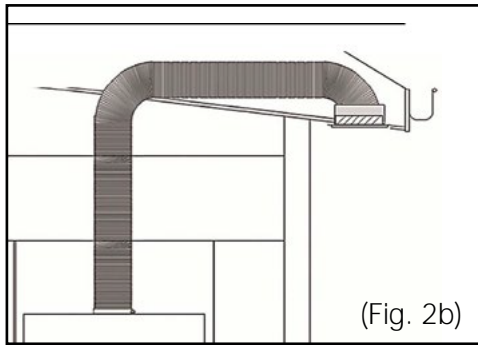
[Download installation guide](#)



(Fig. 2a)

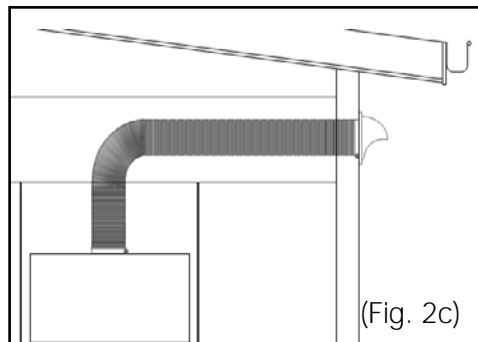
Eave vent - EASYEAVE 150

[Download installation guide](#)



Wall vent - EASYWALL 150

[Download installation guide](#)



SL927 INSTALLATION

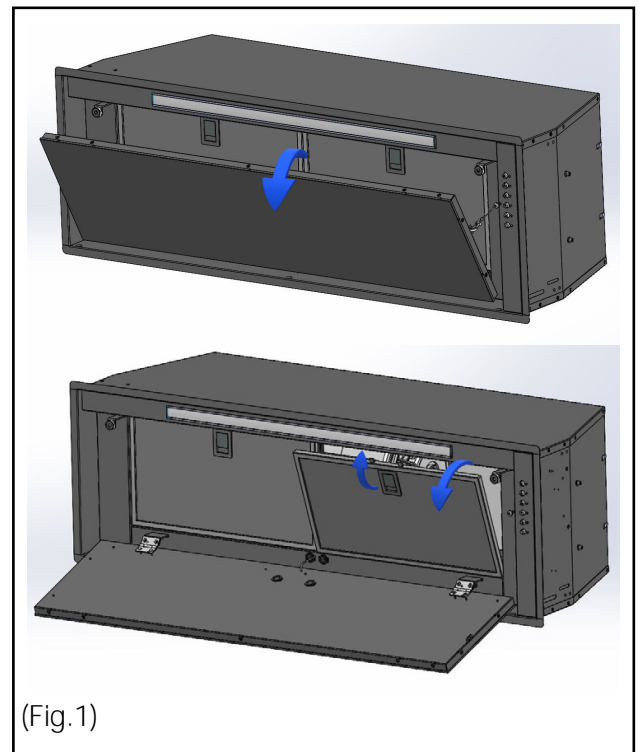
WARNING: Failure to install the screws or fixing device in accordance with these instructions may result in electrical hazards.



Before installing the appliance, make sure that none of the parts are damaged in any way. In case of damaged parts, contact your retailer and do not proceed with installation. Read all of the following instructions with care before installing the appliance.

- Use ducting within the min/max specifications
- Limit the number of ducting bends.
- Do not make any changes in ducting diameter (recommended constant diameter: \varnothing 150 mm or equal surface area).

Before installing the appliance - in order not to damage the appliance itself - the metal grease filter should be removed. These filters could be removed by pushing the handles towards the back side of the rangehood and pulling it downwards to unfasten it from its slot. (Fig.1).



To install the appliance please respect the follow instructions:

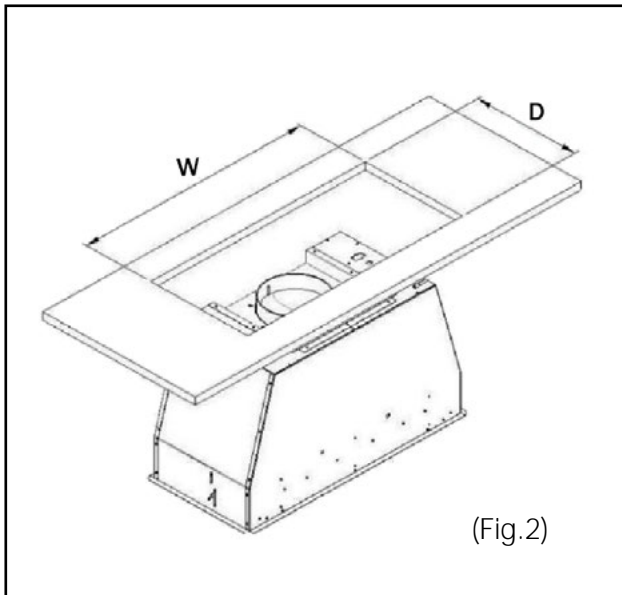
- The appliance must be installed by qualified technicians, or where possible use a Sirius recommended installer. See **siriusbrand.com**. In order to avoid damage to the electronic parts of the appliance, please do not use additional screws.
- Essential precautions to respect before installing the appliance are the following:
To have made a cutout on the bottom of the cabinet which is suitable to hold the appliance in position (fig. 2):

SL927ELHD85 - (W) 835 x (D) 365mm

SL927ELH85 - (W) 835 x (D) 265mm

SL927ELHD52 - (W) 502 x (D) 365mm

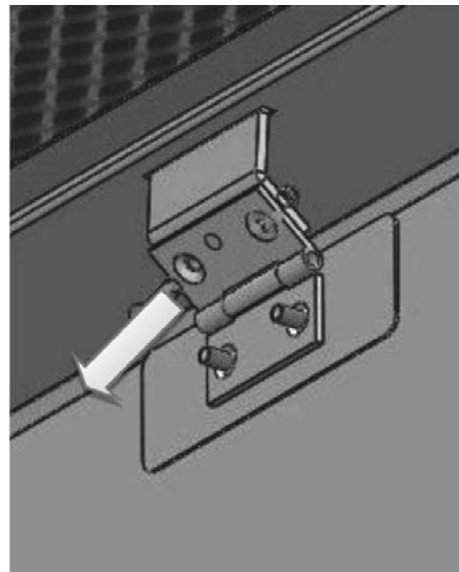
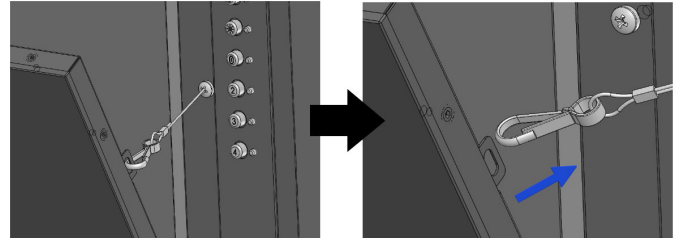
SL927ELH52 - (W) 502 x (D) 265mm



1. Prepare the power supply - 240 volts.
 2. Prepare a hole for the exhaust - 160mm diameter.
- c Do not use screws to fix the ducting to the rangehoods as they will prevent the movement of non-return valves.
- Limit the number of elbows in the ducting, since each elbow reduces the duct efficiency by 1 metre. (i.e. if you use two 90° elbows, the length of ducting must not exceed 5 metres.)
 - Avoid abrupt direction changes.
 - Use 150mm constant diameter ducting for the whole length.
 - **The use of Sirius ducting will increase the warranty of the unit to 6 years.**



- To make it easier to install the rangehood inside the cabinet, it is recommended to remove the glass. Unscrewing the four M3x10 screws as shown in Fig. 3.
Unclip the glass panel from clasp shown in Fig.3



(Fig.3)



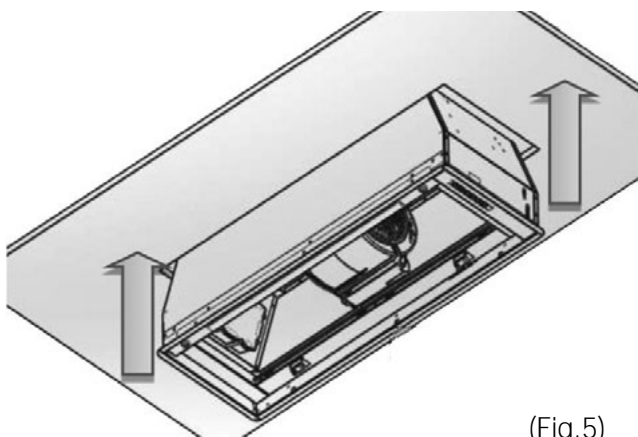
The rangehood is quite heavy, so two people will be needed for installation.

1. To install the appliance, adjust the position of the adjustable side-springs using the supplied screws (fig.4), according to the thickness of the board, in which the appliance will be fixed.

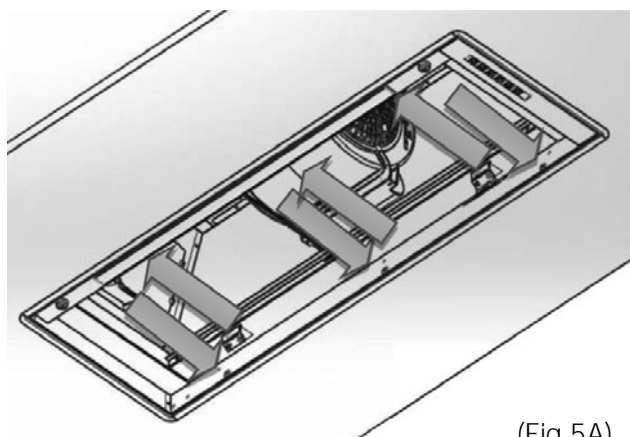


(Fig.4)

2. Insert the rangehood into the cutout in the cabinet until the stop click of the side-springs is heard and the rangehood is supported (Fig 5).
3. Insert the **25mm screws** provided into the front and rear holes inside the rangehood (Fig.5A) to fix it to cabinetry.
4. Insert the grease filter (Fig.1)



(Fig.5)

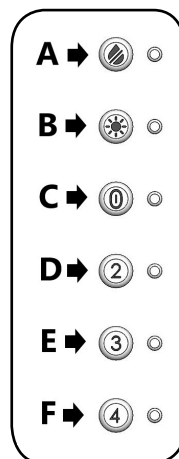


(Fig.5A)

USING THE RANGEHOOD

SL927 (fig. 6)

- A: Heated glass on/off
- B: Light on/off switch
- C: Motor switch on speed 1/off - (low/simmer)
- D: Motor switch on speed 2/off - (general cooking)
- E: Motor switch on speed 3/off - (high power)
- F: Motor switch on speed 4/off - (booster)



Turn heated function on 10 minutes prior to cooking as well as fan to get best performance over induction cooking.

Heated Glass System
This is an innovative anti-condensation system, based on a thermal resistances inside the glass panels or the stainless steel panels. By heating the surface in contact with the vapours coming from the induction hob, this system does not allow condensation or water drops to develop and fall on the hob.

(Fig.6)

Timer Function

A 10 minute timer function is set to keeping the button pressed (C or D or E or F).

The products are endowed with an electronic device which allows the automatic switching off after 4 hours working from the last operation.

Dimmable Lights Function

This Function provides for lights dimmability, ranging from 20% TO 100% , by continuously pressing the light key (PIC.10 B) on the remote control. Functions are the following:

- Hood Light Off - Shortly press the key - Light on at 100%.
- Light on at 100% - Shortly press the key - Light off.
- Light on at 100% - Continously press the key - Brightness reduction.
- Releasing hte key during reduction or increase - Light keeps the luminous intensity reached.
- Light on - Dimmed - Continously press the key - Brightness is inverted if compared to the previous to the previous function.

COLOUR TEMPERATURE SETTING

Make sure that the lights and the fan are off. Holding down the 0/1 key (Fig.6 C) will turn on the light at the previously set colour temperature. Press and hold the Light key (Fig.6 B) to change the colour temperature.

As long as the key is kept pressed, the colour temperature is changed from warm to cold, just leave the Light key (Fig.6 B) to select the desired colour. Exit the colour temperature selection function by pressing the 0/1 key (Fig.6 C).

MAINTENANCE

- Accurate maintenance guarantees good functioning and long-lasting performance.
- Particular care is due to the grease filter panel. It can be removed by pushing its handle toward the back side of the rangehood and pulling the filter downwards so to unfasten it from its slot (Fig.1). To insert the filter just perform the opposite operation.
- The grease filter needs cleaning by regular handwashing or in dishwashers every two months or 30 continuous hours, depending on its use. Button lights will flash when filter needs to be cleaned. To reset, press and hold the the **01** button for 2 seconds when the motor is off.

Filters may require cleaning sooner if frequent heavy frying is done.

- To clean the appliance itself, water and detergent are recommended, while abrasive products should be avoided. For steel appliances specialized detergents are recommended (please follow the instructions indicated on the product itself to obtain the desired results).



To remove the rangehood from the cabinet, remove the fixing screws (fig. 5A) using a screwdriver, and remove the grease filters (fig.1).

- Push down on the small handle of the springs, which are inside the rangehood, with the necessary strength to unhook the hood from the cabinet.

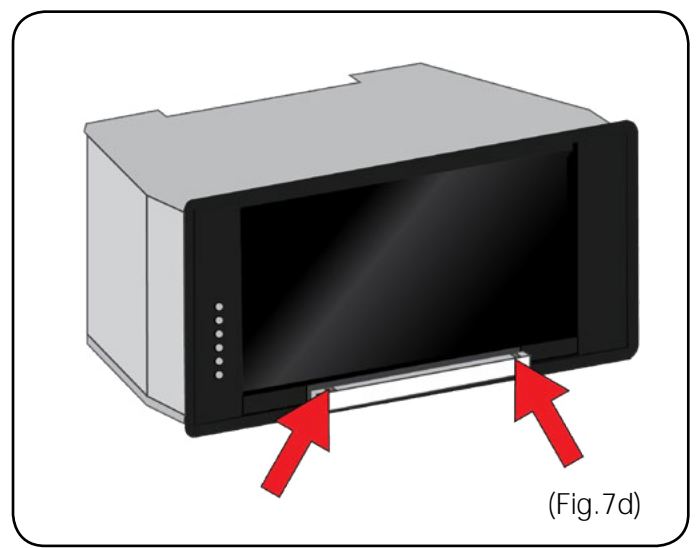
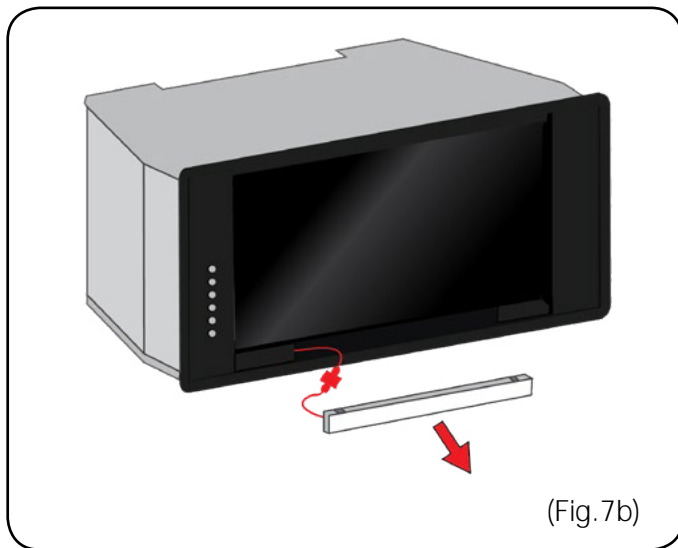
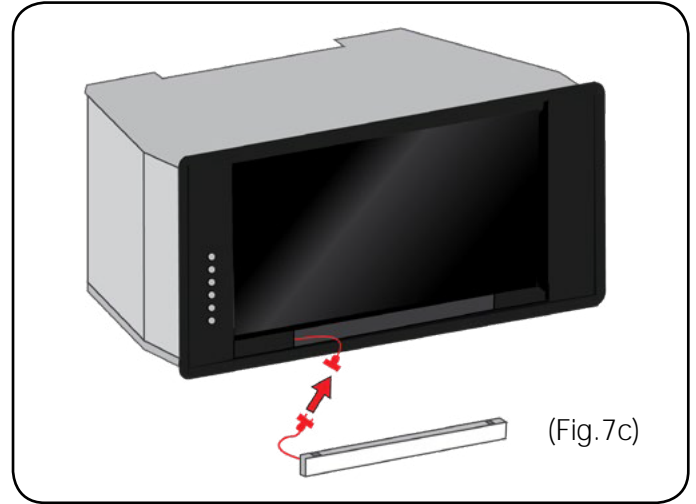
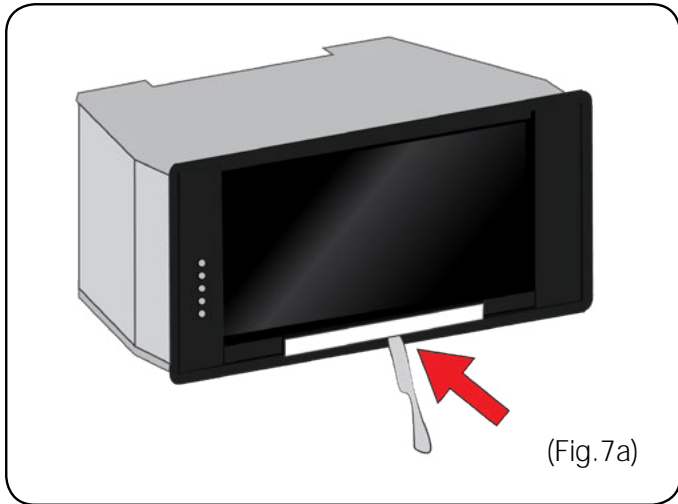


If the supply cord is damaged, it must be replaced by the manufacturer or its service agent or a similarly qualified person in order to avoid a hazard.

REPLACING THE LED STRIP ON THE SL927

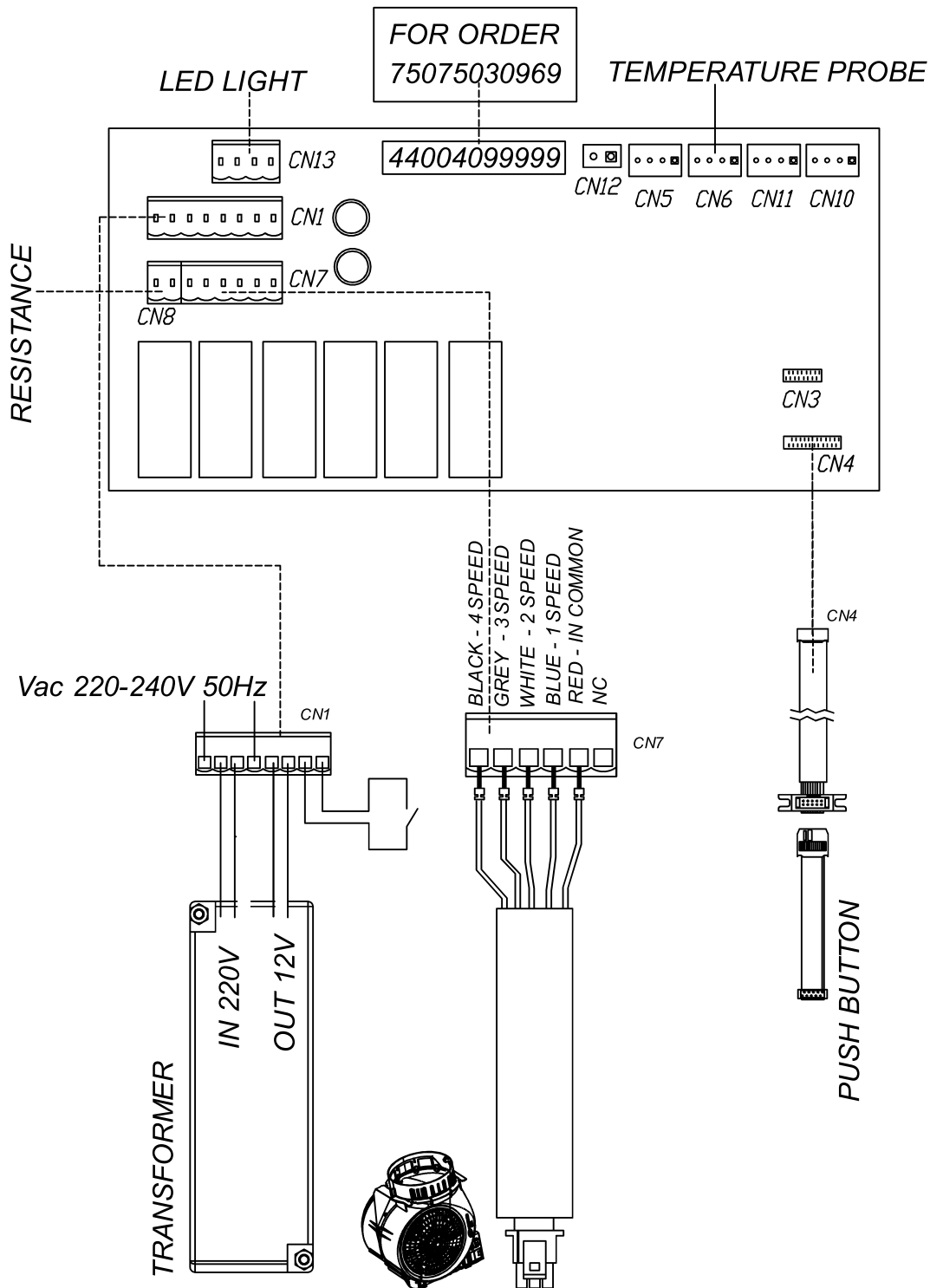
1. Before replacing the LED light, switch off the rangehood, then - by using appropriate tools - remove the LED light from its slot. (Fig 7a - b)
 - Note: light is easier to remove from the **centre of LED strip**. Use a small, flathead screwdriver, palette knife or blunt butter knife.

2. Take out the LED light from its connector and replace. (Fig 7c - d)
 - To find the correct LED light, please contact Sirius directly on our toll-free number: **1300 762 216**.

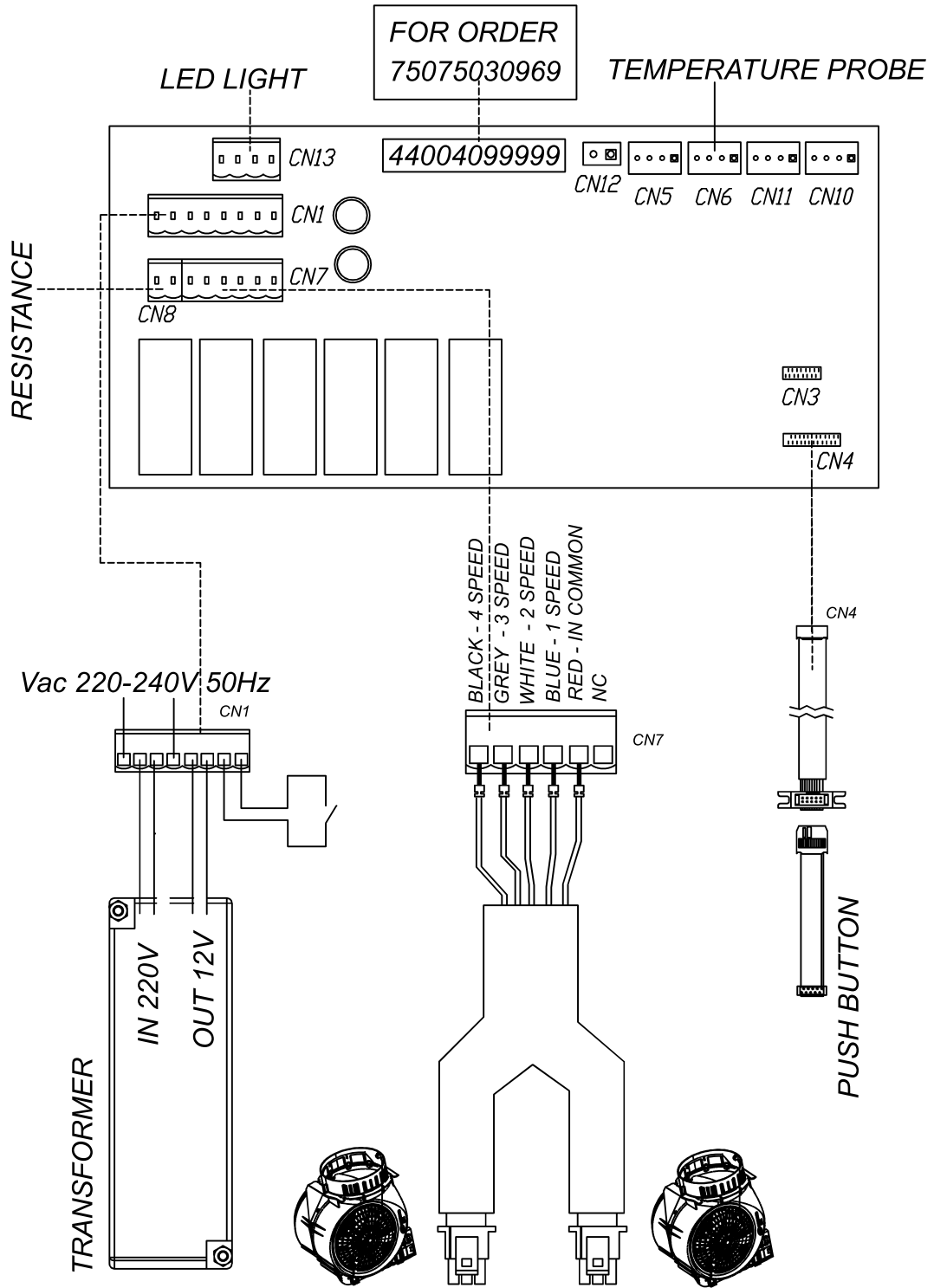


WIRING DIAGRAM

SL927ELH52, SL927ELHD52, SL927ELH85



SL927ELHD85



WARRANTY INFORMATION



Sirius

Dear Customer,

Thank you for choosing this Sirius Rangehood.

We are sure that it will provide you with many years of excellent service. At Arisit Pty Limited we are dedicated to ensuring that our customers receive the best possible after-sales care.

The Sirius 'Protection Plan' has been devised to give you added peace of mind. Should you encounter any problems with your appliance, our nationwide team of specially trained technicians will deal with your call swiftly and efficiently.

PRIORITY SERVICE, ACCESSORIES & SPARE PARTS

AUSTRALIA

ARISIT PTY LIMITED

40-50 Mark Anthony Drive, Dandenong South,
VIC 3175, Australia

Phone: 1300 762 219

Email: consumer.care@arisit.com

Warranty

By registering your ownership NOW, you qualify for Sirius's Total Peace of Mind Protection Plan.

Australian 3 / 6 Year Protection Plan*

This guarantees your appliance for a full 3 years parts and labour & 10 years for the off-board motors (covering manufacturing defects only) from the date of purchase, subject to the Terms and Conditions overleaf.

***3 Year warranty is extended to a 6 year period only when Sirius ducting is installed.**

 **Year Warranty**
when Sirius ducting is used*
siriusaustralia.com.au

Your Warranty

Register now to qualify.

Terms & Conditions

These Terms and Conditions apply only to Sirius products distributed in Australia and New Zealand by Arisit Pty Limited.

1. This warranty applies for a period of 3 years on all products.
 - a) Warranty is extended to a 6 year period when Sirius ducting is installed.
 - b) All off-board motors are covered under warranty for a 10 year period for manufacturing defects only.
2. Warranty applies for parts and labour in Australia and New Zealand, commencing from date of purchase.
3. This warranty applies only to the original purchaser/hire purchaser of this appliance and cannot be assigned or transferred. Failure to produce documentary proof of the date of original acquisition by the original purchaser will result in a charge being levied for work done, labour and parts supplied.
4. This warranty does not apply to:
 - a) Consumable items such as filters, fuses, and light bulbs.
 - b) Damage to body work, paint work, glass, and plastic items (such as, but not limited to windows, covers, baskets, trays, worktops, door handles, control and kick panels.)
 - c) Corrosion & rust damage.

A fee may be charged following warranty claims where no fault is found with the appliance.

5. This warranty will not apply where:
 - a) The fault is caused by accident, misuse, an infestation of insect and or vermin, fire, flood or the use of products not approved by Arisit Pty Limited.
 - b) There has been a failure to comply with the manufacturer's operating and installation instructions.
 - c) Service, modification or repair has been carried out by anybody other than an approved Arisit Service Technician.
 - d) The appliance has been used/ installed anywhere other than a private dwelling, or where it has been used other than for domestic use.
 - e) The appliance is subject to a rental agreement.
6. Any defective part that has been replaced becomes the property of Arisit Pty Limited.
7. This warranty applies only to Sirius appliances purchased and installed in Australia and New Zealand.
8. Loss of use of the appliance or consequential loss of any nature is not covered.
9. A charge may be levied at the discretion of Arisit Pty Limited if the call is deemed unnecessary or if the cause of failure is traced to external sourced such as, but not limited to: blown fuses, power failure, faulty installation, customer misuse or negligence, etc
10. Where the appliance, the subject of a warranty claim or repair, is used or installed more than TWENTY (20) kilometres from the nearest Arisit Service Division or Authorised Service Agent, the cost of delivery to the nearest Service

Division or travel costs for a technician or Authorised Service Agent shall be for the account of the Purchaser. Where a built-in appliance is located or installed outside the Arisit Authorised Service Agent's normal service area, additional travel and labour costs shall be the account of the Purchaser.

11. Service is offered during normal business hours only, also appliances to have a clear access in a serviceable area
 12. Arisit Pty Limited shall not under any circumstances be responsible in terms of this warranty for the replacement or repair of any part of the equipment which may have been damaged in transit, during and after installation or imperfections after installation.
 13. Losses caused by act of God, failure to obtain spare parts, strikes or lockouts are not covered.
 14. External off board motors must be installed a minimum of 2 metres and maximum of 7 metres away from the rangehood. This is for optimum sound and performance.
 15. All motors must be accessible for servicing purposes and if installed above 2 metres from ground height additional cost will be incurred due to OH&S standards for service agents. Prior to install please check minimum & maximum installation details on the Sirius website, FAQ under support tab.
- We reserve the right to amend any of the above without prior notice.
16. This warranty does not affect your statutory rights.

To register for your warranty, please visit:
arisit.com/pages/new-product-registration
or scan the QR code.



www.arisit.com

siriusaustralia.com.au

ARISIT PTY LIMITED (Australia)
ABN 23 091 515 294

40-50 Mark Anthony Drive
Dandenong South VIC 3175

P: Sales & Service: 1300 762 219

F: Sales & Service: (03) 9768 0838

E: arisit@arisit.com

**6 Year
Warranty**

when Sirius ducting is used.

Full replacement warranty on parts and labour. Check website for T&Cs.

10 year warranty on SEM motors.

Sirius Hoods and ducting products are only available from our select group of Sirius Professional Stockists nationwide. For the latest list of Sirius Stockists near you, please refer to siriusaustralia.com.au

All efforts have been made to ensure that the information provided in this brochure is correct at the time of printing. Due to continuous product improvement and ongoing development, Sirius reserves the right to make changes to the products and technical data without prior notice. Some products appearing in this brochure may be for illustrative purposes only. Diagrams are indicative measures only. Prior to commencing cabinetry cutouts the operating/installation instructions accompanying the product must be referred to at siriusaustralia.com.au