

SIL25 FRESCO 1200

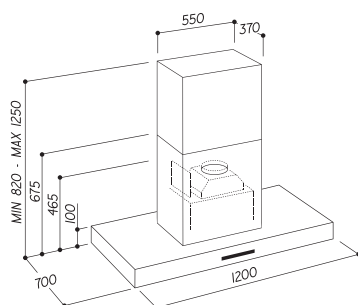
1200MM ISLAND CANOPY RANGEHOOD



SPECIFICATIONS

Rangehood Type	AlFRESCO Canopy
GTIN	9351116001179
Country of Origin	Handcrafted in Italy
Designed to Suit	600-1200mm GAS or INDUCTION
Controls	Buttons
Speed Settings	4
Ducting Diameter	200mm
Recirculating	No
Extraction Type	Onboard Motor
Motor	Twin Aluminium Motor
Extraction Rate	2000m ³ /h
Filter Type	2x 25mm Stainless Steel Baffle
Noise Level	58 dBA (min) to 70dBA (max)
Lighting	6 x 4W LED Spotlights
Run-on Timer	10 Mins
Electrical Requirement	10A
Max Current (W)	574W
Product Dimensions (mm)	W1200 x D700 x H820-1250
Weight	50kg
Warranty	3 Years (6 years when Sirius ducting is used)

LINE DRAWING



KEY FEATURES



Twin Motor

Perfect for large and open kitchens, Sirius twin motor hoods boast powerful 2000M³/H extraction to efficiently remove steam, heat, smoke, and odours. With four speeds options for tailored ventilation.



25mm Stainless Steel Baffle Filters

Baffle filters feature interlocking baffles for effective grease removal, promoting smooth airflow. They're easy to maintain, offer superior filtration with a deep pleat design, and dishwasher safe.



Powerful Extraction

With a twin motor this rangehood's impressive maximum airflow of 2000M³/H, quickly and effectively removes smoke, steam, heat, odours, and other airborne particles from the kitchen.



Remote Control

This rangehood is equipped with a sophisticated, stylish remote control that offers users the convenience of adjusting fan speed, lighting and timer settings of the hood from a distance.



6 x 4W Led Spotlights

This Sirius Rangehood takes it up a notch with six powerful spotlights that provide efficient illumination while cooking.



Marine Grade

A 316 grade stainless rangehood is particularly important for those who live within 5KMs of the coast, as the increased levels of salt in the air can lead to a dramatically increased rate of corrosion.



Hand Crafted in Italy

Sirius Rangehoods, a prestigious Italian brand founded in 1996, is renowned for its bold designs and commitment to premium materials and craftsmanship, making it a top choice for high-end rangehoods.

DISTRIBUTED BY ARISIT PTY LTD

40-50 Mark Anthony Drive, Dandenong South VIC 3175
Ph: 1300 762 219 Fax: 03 9768 0838 Website: www.arisit.com