

SL22900EL

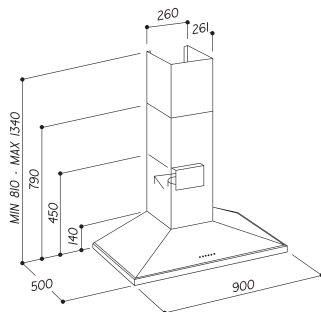
900MM ONBOARD CANOPY RANGEHOOD -
STAINLESS STEEL FINISH



SPECIFICATIONS

Rangehood Type	Canopy
GTIN	9351116006563
Country of Origin	Handcrafted in Italy
Designed to Suit	600-900mm GAS or INDUCTION
Controls	Buttons
Speed Settings	4
Ducting Diameter	150mm
Recirculating	No
Extraction Type	Onboard Motor
Motor	Green Energy Single Aluminium Motor
Extraction Rate	1020m ³ /h
Filter Type	10mm Stainless Steel Baffle
Noise Level	45dBa(min) to 70dBa(max)
Lighting	2 x 2.1W LED Spotlights
Run-on Timer	10 Mins
Electrical Requirement	10A
Max Current (W)	279w
Product Dimensions (mm)	W900 x D550 x H810-1340
Weight	20kg
Warranty	3 Years (6 years when Sirius ducting is used)

LINE DRAWING



KEY FEATURES



Green Energy Single Motor

Power, performance and quiet efficiency are the most important elements in the performance of your Sirius hood. Sirius has worked tirelessly to create a product that ticks all the boxes.



10mm Stainless Steel Baffle Filters

Baffle filters feature interlocking baffles for effective grease removal, promoting smooth airflow. They're easy to maintain, offer superior filtration with a deep pleat design, and dishwasher safe.



Powerful Extraction

With an impressive maximum airflow of 1020M³/H, this rangehood quickly and effectively removes smoke, steam, heat, odours, and other airborne particles from the kitchen.



Induction Safe

This rangehood boasts efficient filters and extraction capabilities to effectively manage increased steam and moisture levels resulting from minimal ambient heat compared to gas cooking methods.



2 x 2.1W Led Spotlights

This Sirius Rangehood takes it up a notch with two powerful spotlights that provide efficient illumination while cooking.



Hand Crafted in Italy

Sirius Rangehoods, a prestigious Italian brand founded in 1996, is renowned for its bold designs and commitment to premium materials and craftsmanship, making it a top choice for high-end rangehoods.

DISTRIBUTED BY ARISIT PTY LTD

40-50 Mark Anthony Drive, Dandenong South VIC 3175
Ph: 1300 762 219 Fax: 03 9768 0838 Website: www.arisit.com