

SL22ELEM90

900MM STAINLESS CANOPY



SPECIFICATIONS

Rangehood Type	Canopy
GTIN	9351116006136
Country of Origin	Handcrafted in Italy
Designed to Suit	600-900mm GAS or INDUCTION
Controls	Buttons
Speed Settings	4
Ducting Diameter	150mm
Recirculating	No
Extraction Type	Offboard Motor
Motor Options	SEM11, SEM21, or SEM51
Extraction Rate	1200m ³ /hr
Filter Type	1x 10mm Stainless Steel Baffle
Noise Level	Depends on motor / installation
Lighting	2 x 2.1W LED Spotlights
Run-on Timer	10 Mins
Electrical Requirement	10A
Max Current (W)	297W
Product Dimensions (mm)	W900 x D550 x H810-1340
Weight	18.5 Kgs
Warranty	3 Years (6 years when Sirius ducting is used)

KEY FEATURES



European Made External Motor

Sirius External Motors (SEM) are designed for quietest hood ventilation. External motors reduce noise by being located away from the hood. Rest easy with our 10-year motor warranty for lasting performance.



10mm Stainless Steel Baffle Filters

Baffle filters feature interlocking baffles for effective grease removal, promoting smooth airflow. They're easy to maintain, offer superior filtration with a deep pleat design, and dishwasher safe.



Powerful Extraction

With an impressive maximum airflow of 1200M³/H, this rangehood quickly and effectively removes smoke, steam, heat, odours, and other airborne particles from the kitchen.



Induction Safe

This rangehood boasts efficient filters and extraction capabilities to effectively manage increased steam and moisture levels resulting from minimal ambient heat compared to gas cooking methods.



2 x 2.1W Led Spotlights

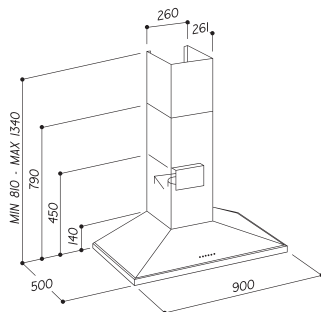
This Sirius Rangehood takes it up a notch with two powerful spotlights that provide efficient illumination while cooking.



Hand Crafted in Italy

Sirius Rangehoods, a prestigious Italian brand founded in 1996, is renowned for its bold designs and commitment to premium materials and craftsmanship, making it a top choice for high-end rangehoods.

LINE DRAWING



DISTRIBUTED BY ARISIT PTY LTD

40-50 Mark Anthony Drive, Dandenong South VIC 3175
Ph: 1300 762 219 Fax: 03 9768 0838 Website: www.arisit.com