

SL83FRESCO1500

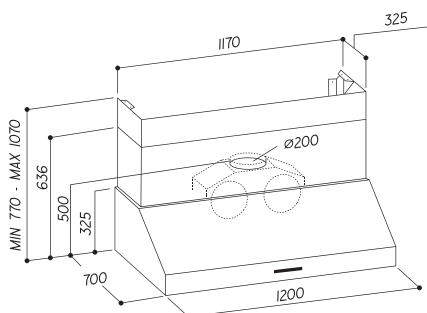
1500MM STAINLESS STEEL OUTDOOR CANOPY



SPECIFICATIONS

Rangehood Type	Alfresco Canopy
GTIN	9351116001223
Country of Origin	Handcrafted in Italy
Designed to Suit	600-1500mm GAS or INDUCTION
Controls	Buttons
Speed Settings	4
Ducting Diameter	300mm
Recirculating	No
Extraction Type	Onboard Motor
Motor	Triple Aluminium Motor
Extraction Rate	3060m ³ /h
Filter Type	25mm Stainless Steel Baffle
Noise Level	58 dBa (min) to 70dBa (max)
Lighting	5 x LED Spotlights
Run-on Timer	10 Mins
Electrical Requirement	10A
Max Current (W)	925W
Product Dimensions (mm)	W1500 x D700 x H770-1070
Weight	60kg
Warranty	3 Years (6 years when Sirius ducting is used)

LINE DRAWING



KEY FEATURES



Triple Motor

For power and performance, Sirius triple motor hoods are the leader with 3060M³/H extraction efficiently removing steam, heat, smoke, and odours. Offering four powerful speeds for tailored ventilation.



25mm Stainless Steel Baffle Filters

Baffle filters feature interlocking baffles for effective grease removal, promoting smooth airflow. They're easy to maintain, offer superior filtration with a deep pleat design, and dishwasher safe.



Powerful Extraction

With a twin motor this rangehood's impressive maximum airflow of 3000M³/H, quickly and effectively removes smoke, steam, heat, odours, and other airborne particles from the kitchen.



Remote Control

This rangehood is equipped with a sophisticated, stylish remote control that offers users the convenience of adjusting fan speed, lighting and timer settings of the hood from a distance.



5 x Led Spotlights

This Sirius Rangehood takes it up a notch with five powerful spotlights that provide efficient illumination while cooking.



Marine Grade

A 316 grade stainless rangehood is particularly important for those who live within 5KMs of the coast, as the increased levels of salt in the air can lead to a dramatically increased rate of corrosion.



Hand Crafted in Italy

Sirius Rangehoods, a prestigious Italian brand founded in 1996, is renowned for its bold designs and commitment to premium materials and craftsmanship, making it a top choice for high-end rangehoods.

DISTRIBUTED BY ARISIT PTY LTD

40-50 Mark Anthony Drive, Dandenong South VIC 3175
Ph: 1300 762 219 Fax: 03 9768 0838 Website: www.arisit.com