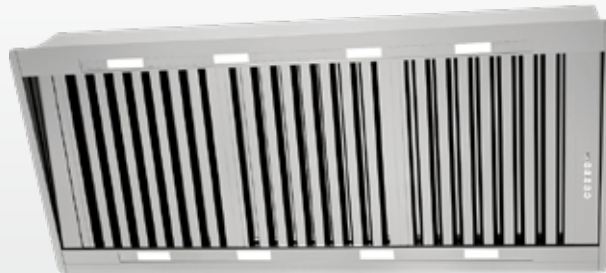


# SL920 FRESCO 1200

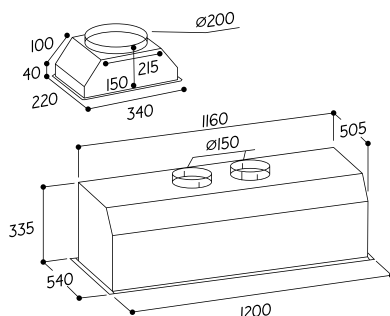
1200MM INDOOR/OUTDOOR UNDERMOUNT



## SPECIFICATIONS

<b>Rangehood Type</b>	Indoor/Outdoor Undermount
<b>GTIN</b>	9351116002039
<b>Country of Origin</b>	Handcrafted in Italy
<b>Designed to Suit</b>	600-1200mm GAS or INDUCTION
<b>Controls</b>	Button & Remote
<b>Speed Settings</b>	4
<b>Ducting Diameter</b>	200mm or 2x 150mm
<b>Recirculating</b>	No
<b>Extraction Type</b>	Onboard Motor
<b>Motor</b>	Twin Aluminium Motor
<b>Extraction Rate</b>	2000m <sup>3</sup> /hr
<b>Filter Type</b>	25mm Stainless Steel Baffle
<b>Noise Level</b>	55dBa (min) to 67dBa (max)
<b>Lighting</b>	8 x 2.5W Led Spotlights
<b>Run-on Timer</b>	10 Mins
<b>Electrical Requirement</b>	10A
<b>Max Current (W)</b>	420W
<b>Product Dimensions (mm)</b>	W1200 x D540 x H335
<b>Cut-Out Dimensions (mm)</b>	W1160 x D505
<b>Weight</b>	42.5kg
<b>Warranty</b>	3 Years (6 years when Sirius ducting is used)

## LINE DRAWING



## KEY FEATURES



### Twin Motor

Perfect for large and open kitchens, Sirius twin motor hoods boast powerful 2000M<sup>3</sup>/H extraction to efficiently remove steam, heat, smoke, and odours. With four speeds options for tailored ventilation.



### 25mm Stainless Steel Filters

Baffle filters feature interlocking baffles for effective grease removal, promoting smooth airflow. They're easy to maintain, offer superior filtration with a deep pleat design, and dishwasher safe.



### Powerful Extraction

With a twin motor this rangehood's impressive maximum airflow of 2000M<sup>3</sup>/H, quickly and effectively removes smoke, steam, heat, odours, and other airborne particles from the kitchen.



### Induction Safe

This rangehood boasts efficient filters and extraction capabilities to effectively manage increased steam and moisture levels resulting from minimal ambient heat compared to gas cooking methods.



### 8 x 2.5W Led Spotlights

This Sirius Rangehood takes it up a notch with eight powerful spotlights that provide efficient illumination while cooking.



### Hand Crafted in Italy

Sirius Rangehoods, a prestigious Italian brand founded in 1996, is renowned for its bold designs and commitment to premium materials and craftsmanship, making it a top choice for high-end rangehoods.

DISTRIBUTED BY ARISIT PTY LTD

40-50 Mark Anthony Drive, Dandenong South VIC 3175  
Ph: 1300 762 219 Fax: 03 9768 0838 Website: www.arisit.com