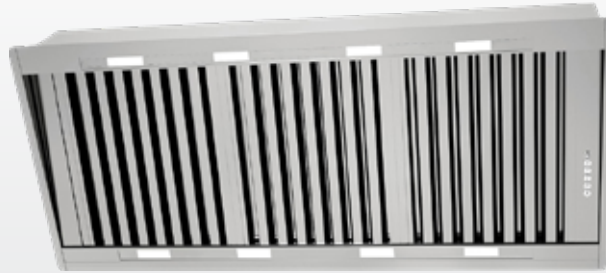


SL920FRESCO1200

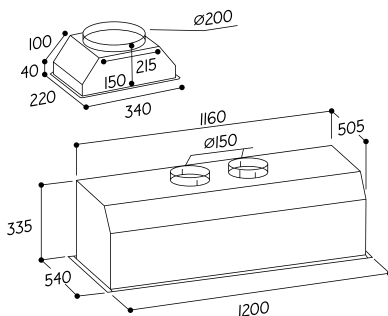
1200MM INDOOR/OUTDOOR UNDERMOUNT



SPECIFICATIONS

Rangehood Type	Indoor/Outdoor Undermount
GTIN	9351116002039
Country of Origin	Handcrafted in Italy
Designed to Suit	600-1200mm GAS or INDUCTION
Controls	Button & Remote
Speed Settings	4
Ducting Diameter	200mm or 2x 150mm
Recirculating	No
Extraction Type	Onboard Motor
Motor	Twin Aluminium Motor
Extraction Rate	2000m ³ /hr
Filter Type	25mm Stainless Steel Baffle
Noise Level	55dBA (min) to 67dBA (max)
Lighting	8 x 2.5W Led Spotlights
Run-on Timer	10 Mins
Electrical Requirement	10A
Max Current (W)	420W
Product Dimensions (mm)	W1200 x D540 x H335
Cut-Out Dimensions (mm)	W1160 x D505
Weight	42.5kg
Warranty	3 Years (6 years when Sirius ducting is used)

LINE DRAWING



KEY FEATURES



Twin Motor

Perfect for large and open kitchens, Sirius twin motor hoods boast powerful 2000M³/H extraction to efficiently remove steam, heat, smoke, and odours. With four speeds options for tailored ventilation.



25mm Stainless Steel Filters

Baffle filters feature interlocking baffles for effective grease removal, promoting smooth airflow. They're easy to maintain, offer superior filtration with a deep pleat design, and dishwasher safe.



Powerful Extraction

With a twin motor this rangehood's impressive maximum airflow of 2000M³/H, quickly and effectively removes smoke, steam, heat, odours, and other airborne particles from the kitchen.



Induction Safe

This rangehood boasts efficient filters and extraction capabilities to effectively manage increased steam and moisture levels resulting from minimal ambient heat compared to gas cooking methods.



8 x 2.5W Led Spotlights

This Sirius Rangehood takes it up a notch with eight powerful spotlights that provide efficient illumination while cooking.



Hand Crafted in Italy

Sirius Rangehoods, a prestigious Italian brand founded in 1996, is renowned for its bold designs and commitment to premium materials and craftsmanship, making it a top choice for high-end rangehoods.

DISTRIBUTED BY ARISIT PTY LTD

40-50 Mark Anthony Drive, Dandenong South VIC 3175
Ph: 1300 762 219 Fax: 03 9768 0838 Website: www.arisit.com