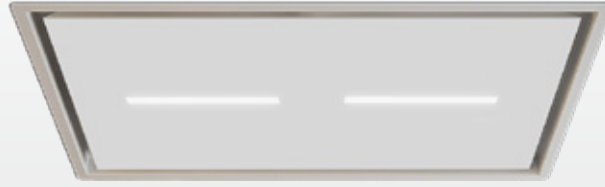


SLT971BRHM

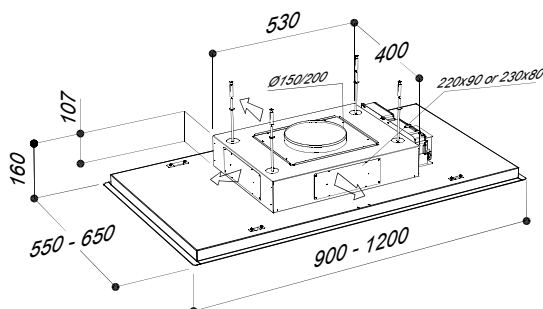
1200MM ONBOARD BRUSHLESS CEILING CASSETTE



SPECIFICATIONS

Rangehood Type	Ceiling Cassette
GTIN	9351116005337
Country of Origin	Handcrafted in Italy
Designed to Suit	Up to 1100mm GAS or INDUCTION
Controls	Remote Control
Speed Settings	4
Ducting Diameter	Rectangular Ducting
Recirculating	No
Extraction Type	Onboard Motor
Motor	OnBoard Brushless Motor
Extraction Rate	520m ³ /hr
Filter Type	Aluminium Filter
Noise Level	53 dBA (min) to 64 dBA (max)
Lighting	3X 2.5 Dimmer Led Spotlight
Run-on Timer	10 Mins
Electrical Requirement	10A
Max Current (W)	228W
Product Dimensions (mm)	W1200 x D650 x H206
Weight	36kg
Warranty	3 Years (6 years when Sirius ducting is used)

LINE DRAWING



KEY FEATURES



OnBoard Brushless Motor

Onboard brushless motors provide enhanced durability, efficiency, and reduced maintenance due to their frictionless design, relying on electronic commutation for more precise and reliable operation.



Induction Safe

This rangehood boasts efficient filters and extraction capabilities to effectively manage increased steam and moisture levels resulting from minimal ambient heat compared to gas cooking methods.



Aluminium Mesh Filter

Easy to install and maintain, but it also provides superior filtration capabilities. Designed with a special deep pleat design that helps capture cooking odours before they enter the room.



Remote Control

This rangehood is equipped with a sophisticated, stylish remote control that offers users the convenience of adjusting fan speed, lighting and timer settings of the hood from a distance.



4 Speed Settings

Sirius Rangehoods offer 4 speed settings. Levels 1 to 3 for light to normal cooking and level 4 for smoky or intense cooking. Covering all your cooking needs.



Dynamic Lighting

Sirius Rangehoods have a dynamic lighting system that can be adjusted from 2700 to 6500 kelvin to match other lighting in the room. Adjustable temperature, and dimmable. Maximum design flexibility.



Hand Crafted in Italy

Sirius Rangehoods, a prestigious Italian brand founded in 1996, is renowned for its bold designs and commitment to premium materials and craftsmanship, making it a top choice for high-end rangehoods.

DISTRIBUTED BY ARISIT PTY LTD

40-50 Mark Anthony Drive, Dandenong South VIC 3175
Ph: 1300 762 219 Fax: 03 9768 0838 Website: www.arisit.com