

SLT971EMEL

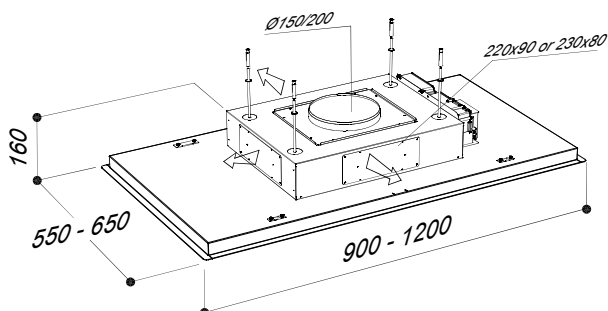
1200MM OFFBOARD CEILING CASSETTE



SPECIFICATIONS

Rangehood Type	Ceiling Cassette
GTIN	9351116005320
Country of Origin	Handcrafted in Italy
Designed to Suit	1000mm GAS or INDUCTION
Controls	Remote Control
Speed Settings	4
Ducting Diameter	Rectangular Ducting
Recirculating	No
Extraction Type	Offboard Motor
Motor Options	SEM11, SEM21, SEM51, SEM81
Extraction Rate	SEM81 = 1650 m3/h
Filter Type	Aluminium Filter
Noise Level	Depends on motor / installation
Lighting	2 x 3.75W Dimmable and Dynamic Led Strip
Run-on Timer	10 Mins
Electrical Requirement	10A
Max Current (W)	508W
Product Dimensions (mm)	W1200 x D650 x H160
Weight	36kg
Warranty	3 Years (6 years when Sirius ducting is used)

LINE DRAWING



KEY FEATURES



Offboard European Made Motor

Power, performance and quiet efficiency are the most important elements in the performance of your Sirius hood. Sirius has worked tirelessly to create a product that ticks all the boxes.



Aluminium Mesh Filter

Easy to install and maintain, but it also provides superior filtration capabilities. Designed with a special deep pleat design that helps capture cooking odours before they enter the room.



Remote Control

This rangehood is equipped with a sophisticated, stylish remote control that offers users the convenience of adjusting fan speed, lighting and timer settings of the hood from a distance.



4 Speed Settings

Sirius Rangehoods offer 4 speed settings. Levels 1 to 3 for light to normal cooking and level 4 for smoky or intense cooking. Covering all your cooking needs.



Induction Safe

This rangehood boasts efficient filters and extraction capabilities to effectively manage increased steam and moisture levels resulting from minimal ambient heat compared to gas cooking methods.



Powerful Extraction

Sirius offers powerful rangehoods, providing superior extraction for all cooking styles. With revolutionary technology and advanced engineering, they're ideal for any kitchen.



Dynamic Lighting

Sirius Rangehoods have a dynamic lighting system that can be adjusted from 2700 to 6500 kelvin to match other lighting in the room. Adjustable temperature, and dimmable. Maximum design flexibility.



Hand Crafted in Italy

Sirius Rangehoods, a prestigious Italian brand founded in 1996, is renowned for its bold designs and commitment to premium materials and craftsmanship, making it a top choice for high-end rangehoods.

DISTRIBUTED BY ARISIT PTY LTD

40-50 Mark Anthony Drive, Dandenong South VIC 3175
Ph: 1300 762 219 Fax: 03 9768 0838 Website: www.arisit.com