

SLTC 107 G 900

900MM ONBOARD CANOPY RANGEHOOD
BLACK GLASS FASCIA



SPECIFICATIONS

Rangehood Type	Canopy
GTIN	9351116001735
Country of Origin	Handcrafted in Italy
Designed to Suit	600-900mm GAS or INDUCTION
Controls	Electric Touch Control
Speed Settings	4
Ducting Diameter	150mm
Recirculating	No
Extraction Type	Onboard Motor
Motor	Onboard Aluminium Motor
Extraction Rate	1020m ³ /h
Filter Type	25mm Stainless Steel Baffle
Noise Level	52dBA (min) to 64dBA (max)
Lighting	2 x 3.75W LED Strip
Run-on Timer	10 Mins
Electrical Requirement	10A
Max Current (W)	288W
Product Dimensions (mm)	W900 x D550 x H660-1080
Weight	30kg
Warranty	3 Years (6 years when Sirius ducting is used)

KEY FEATURES



Single Motor

Power, performance and quiet efficiency are the most important elements in the performance of your Sirius hood. Sirius has worked tirelessly to create a product that ticks all the boxes.



25mm Stainless Steel Baffle Filters

Baffle filters feature interlocking baffles for effective grease removal, promoting smooth airflow. They're easy to maintain, offer superior filtration with a deep pleat design, and dishwasher safe.



Powerful Extraction

With an impressive maximum airflow of 1020M³/H, this rangehood quickly and effectively removes smoke, steam, heat, odours, and other airborne particles from the kitchen.



Induction Safe

This rangehood boasts efficient filters and extraction capabilities to effectively manage increased steam and moisture levels resulting from minimal ambient heat compared to gas cooking methods.



2 x 3.75W Led Strip

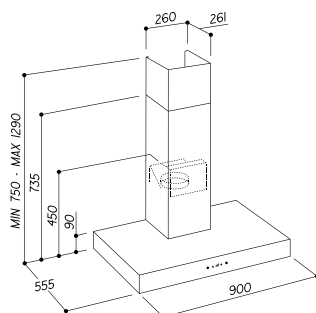
Energy-efficient with prolonged lifespan. Ideal for eco-conscious homes, providing quality illumination and minimizing replacement expenses.



Hand Crafted in Italy

Sirius Rangehoods, a prestigious Italian brand founded in 1996, is renowned for its bold designs and commitment to premium materials and craftsmanship, making it a top choice for high-end rangehoods.

LINE DRAWING



DISTRIBUTED BY ARISIT PTY LTD

40-50 Mark Anthony Drive, Dandenong South VIC 3175
Ph: 1300 762 219 Fax: 03 9768 0838 Website: www.arisit.com