

# SLTC 97 900

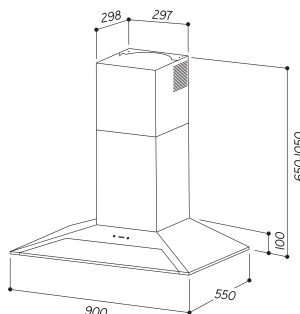
900MM ONBOARD CANOPY RANGEHOOD



## SPECIFICATIONS

<b>Rangehood Type</b>	Canopy
<b>GTIN</b>	9351116001612
<b>Country of Origin</b>	Handcrafted in Italy
<b>Designed to Suit</b>	600-900mm GAS or INDUCTION
<b>Controls</b>	Electric Touch Control
<b>Speed Settings</b>	4
<b>Ducting Diameter</b>	150mm
<b>Recirculating</b>	No
<b>Extraction Type</b>	Onboard Motor
<b>Motor</b>	Single Aluminium Motor
<b>Extraction Rate</b>	1020m <sup>3</sup> /h
<b>Filter Type</b>	10mm Stainless Steel Baffle
<b>Noise Level</b>	47dBa (min) to 59dBa (max)
<b>Lighting</b>	2 x 3.75W Dimmable Dynamic Led Strip
<b>Run-on Timer</b>	10 Mins
<b>Electrical Requirement</b>	10A
<b>Max Current (W)</b>	275W
<b>Product Dimensions (mm)</b>	W900 x D550 x H810-1340
<b>Weight</b>	45kg
<b>Warranty</b>	3 Years (6 years when Sirius ducting is used)

## LINE DRAWING



## KEY FEATURES



### Single Motor

Power, performance and quiet efficiency are the most important elements in the performance of your Sirius hood. Sirius has worked tirelessly to create a product that ticks all the boxes.



### 10mm Stainless Steel Baffle Filters

Baffle filters feature interlocking baffles for effective grease removal, promoting smooth airflow. They're easy to maintain, offer superior filtration with a deep pleat design, and dishwasher safe.



### Powerful Extraction

With an impressive maximum airflow of 1020M<sup>3</sup>/H, this rangehood quickly and effectively removes smoke, steam, heat, odours, and other airborne particles from the kitchen.



### Induction Safe

This rangehood boasts efficient filters and extraction capabilities to effectively manage increased steam and moisture levels resulting from minimal ambient heat compared to gas cooking methods.



### 2 x 3.75W Led Strip

Energy-efficient with prolonged lifespan. Ideal for eco-conscious homes, providing quality illumination and minimizing replacement expenses.



### Hand Crafted in Italy

Sirius Rangehoods, a prestigious Italian brand founded in 1996, is renowned for its bold designs and commitment to premium materials and craftsmanship, making it a top choice for high-end rangehoods.

DISTRIBUTED BY ARISIT PTY LTD

40-50 Mark Anthony Drive, Dandenong South VIC 3175  
Ph: 1300 762 219 Fax: 03 9768 0838 Website: www.arisit.com