

SLTC 97 900

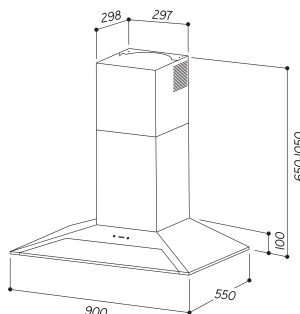
900MM ONBOARD CANOPY RANGEHOOD



SPECIFICATIONS

| | |
|--------------------------------|---|
| Rangehood Type | Canopy |
| GTIN | 9351116001612 |
| Country of Origin | Handcrafted in Italy |
| Designed to Suit | 600-900mm GAS or INDUCTION |
| Controls | Electric Touch Control |
| Speed Settings | 4 |
| Ducting Diameter | 150mm |
| Recirculating | No |
| Extraction Type | Onboard Motor |
| Motor | Single Aluminium Motor |
| Extraction Rate | 1020m ³ /h |
| Filter Type | 10mm Stainless Steel Baffle |
| Noise Level | 47dBA (min) to 59dBA (max) |
| Lighting | 2 x 3.75W Dimmable Dynamic Led Strip |
| Run-on Timer | 10 Mins |
| Electrical Requirement | 10A |
| Max Current (W) | 275W |
| Product Dimensions (mm) | W900 x D550 x H650-1050 |
| Weight | 45kg |
| Warranty | 3 Years (6 years when Sirius ducting is used) |

LINE DRAWING



KEY FEATURES



Single Motor

Power, performance and quiet efficiency are the most important elements in the performance of your Sirius hood. Sirius has worked tirelessly to create a product that ticks all the boxes.



10mm Stainless Steel Baffle Filters

Baffle filters feature interlocking baffles for effective grease removal, promoting smooth airflow. They're easy to maintain, offer superior filtration with a deep pleat design, and dishwasher safe.



Powerful Extraction

With an impressive maximum airflow of 1020M³/H, this rangehood quickly and effectively removes smoke, steam, heat, odours, and other airborne particles from the kitchen.



Induction Safe

This rangehood boasts efficient filters and extraction capabilities to effectively manage increased steam and moisture levels resulting from minimal ambient heat compared to gas cooking methods.



2 x 3.75W Led Strip

Energy-efficient with prolonged lifespan. Ideal for eco-conscious homes, providing quality illumination and minimizing replacement expenses.



Hand Crafted in Italy

Sirius Rangehoods, a prestigious Italian brand founded in 1996, is renowned for its bold designs and commitment to premium materials and craftsmanship, making it a top choice for high-end rangehoods.

DISTRIBUTED BY ARISIT PTY LTD

40-50 Mark Anthony Drive, Dandenong South VIC 3175
Ph: 1300 762 219 Fax: 03 9768 0838 Website: www.arisit.com