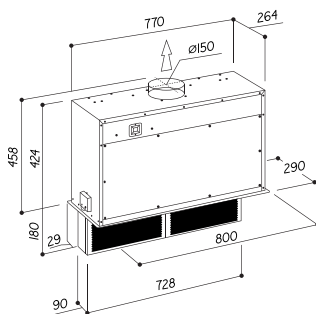




SPECIFICATIONS

Rangehood Type	Undermount
GTIN	9351116002411
Country of Origin	Handcrafted in Italy
Designed to Suit	600-900mm GAS or INDUCTION
Controls	Touch Control
Speed Settings	4
Ducting Diameter	150mm
Recirculating	No
Extraction Type	Onboard Motor
Motor	Single Aluminium Motor
Extraction Rate	1020m ³ /h
Filter Type	Aluminium Filter
Noise Level	45dBa (min) to 63dBa (max)
Lighting	1 x 6W Dimmable And Dynamic Led Strip
Run-on Timer	10 Mins
Electrical Requirement	10A
Max Current (W)	282W
Product Dimensions (mm)	W800 x D290 x H424-604
Cut-Out Dimensions (mm)	W778 x D267
Weight	33.5kg
Warranty	3 Years (6 years when Sirius ducting is used)

LINE DRAWING



KEY FEATURES



Single Motor

Power, performance and quiet efficiency are the most important elements in the performance of your Sirius hood. Sirius has worked tirelessly to create a product that ticks all the boxes.



Aluminium Mesh Filter

Easy to install and maintain, but it also provides superior filtration capabilities. Designed with a special deep pleat design that helps capture cooking odours before they enter the room.



Powerful Extraction

With an impressive maximum airflow of 1020M³/H, this rangehood quickly and effectively removes smoke, steam, heat, odours, and other airborne particles from the kitchen.



Induction Safe

This rangehood boasts efficient filters and extraction capabilities to effectively manage increased steam and moisture levels resulting from minimal ambient heat compared to gas cooking methods.



Telescopic Filters

Easy installation and maintenance, superior filtration with deep pleat design. Dishwasher safe for convenience.



Hand Crafted in Italy

Sirius Rangehoods, a prestigious Italian brand founded in 1996, is renowned for its bold designs and commitment to premium materials and craftsmanship, making it a top choice for high-end rangehoods.