



**Congratulations on your purchase!
Thank you for choosing a Sirius product.**

CANOPY RANGEHOOD

ONBOARD INSTALLATION INSTRUCTIONS

SLTC97900EL
SL22900EL
SL22900BKEL

EAN# 9351116001612
EAN# 9351116005955
EAN# 9351116005962



www.siriusbrand.com



TABLE OF CONTENTS

BEFORE YOU INSTALL - DUCTING INFORMATION	4
LINE DRAWINGS	5
DUCTING AND CLEARANCES	6
CANOPY RANGEHOOD INSTALLATION	8
USING THE RANGEHOOD	10
MAINTENANCE	10
SLTC97900EL WIRING DIAGRAM	11
SL22900EL WIRING DIAGRAM	12
SL22900BKEL WIRING DIAGRAM	13
BRACKET	14
WARRANTY INFORMATION	15

BEFORE YOU INSTALL - DUCTING INFORMATION

Sirius warranty covers only Sirius product. If you choose to install a non-Sirius branded accessory such as flexible ducting, Sirius will only warrant the rangehood and motor. If installation is found to be the cause of failure or issue then charges will apply for service and parts.

Flexible ducting is not permitted under any circumstances. Flexible ducting has been found to increase noise levels, increase vibration and reduce airflow. Sirius Semi-rigid or solid ducting can be used in lieu. There is a range available to suit any application.



WARNING



The appliance must be installed and connected to the power supply only by a qualified technician.

- There should be adequate ventilation of the room when the rangehood is used at the same time as appliances burning gas or other fuels (not applicable to appliances that only discharge the air back into the room)
- The details concerning the method and frequency of cleaning
- There is a fire risk if cleaning is not carried out in accordance with the instructions;
- Do not flambé under the range hood;
- CAUTION: Accessible parts may become hot when used with cooking appliances.
- CAUTION: Accessible parts may become hot when used with cooking appliances.
- Range hoods and other cooking fume extractors may adversely affect the safe operation of appliances burning gas or other fuels (including those in other rooms) due to back flow of combustion gases. These gases can potentially result in carbon monoxide poisoning. After installation of a range hood or other cooking fume extractor, the operation of flued gas appliances should be tested by a competent person to ensure that back flow of combustion gases does not occur.
- Means for disconnection must be in-governance with local, state and national building regulations fixed wiring in accordance with the wiring rules.

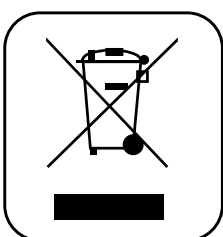
Ducting available at www.siriusbrand.com

6 Year Warranty when Sirius Ducting is used. Full replacement warranty on parts and labour.

See website for terms & conditions.

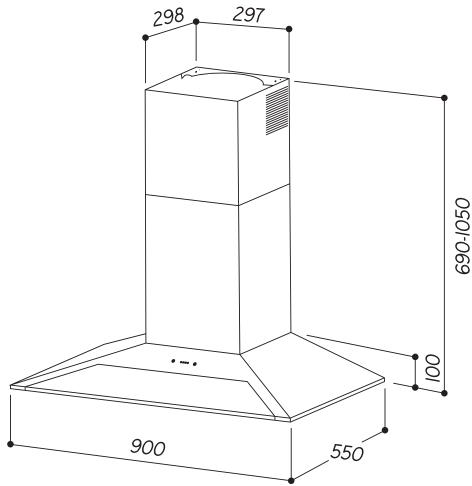
A reduction in the duct diameter from stated ducting size will void warranty.

If you are in doubt about the ducting, please contact Sirius on 1300 762 219 prior to installation

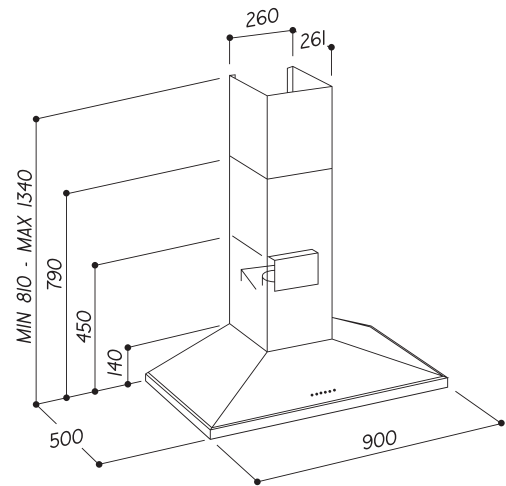


The symbol on the product or on its packaging indicates that this product may not be treated as house-hold waste. Instead it shall be handed over to the applicable collection point for the recycling of electrical and electronic equipment. By ensuring this product is disposed of correctly, you will help prevent potential negative consequences for the environment and human health, which could otherwise be caused by inappropriate waste handling of this product. For more detailed information about recycling of this product, please contact your local city office, your household waste disposal service or the shop where you purchased the product. This appliance is marked according to the European directive 2/96/EC on waste electrical and electronic equipment (WEEE).

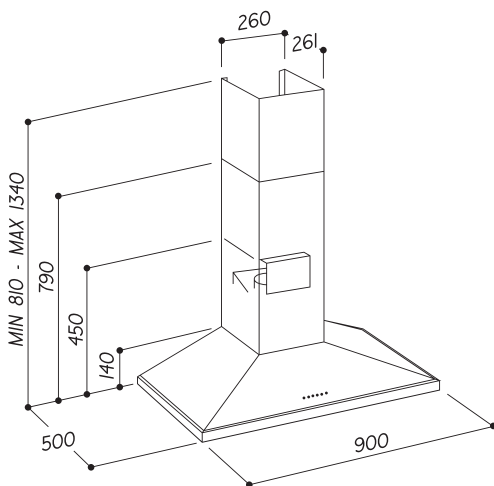
LINE DRAWINGS



SLTC97900EL



SL22900EL



SL22900BKEL

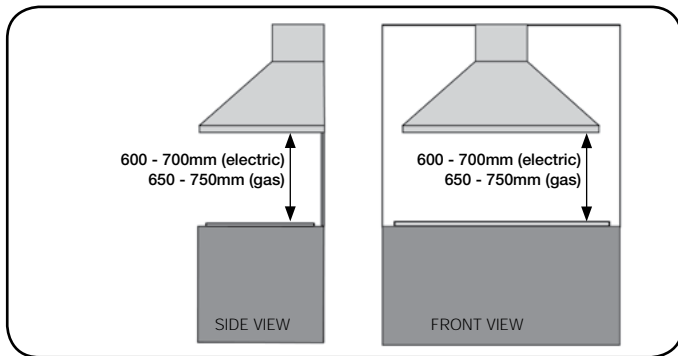
DUCTING AND CLEARANCES



Min. 600mm - Max. 700mm for induction cooktops.

Min. 650mm - Max. 750mm gas cooktops.

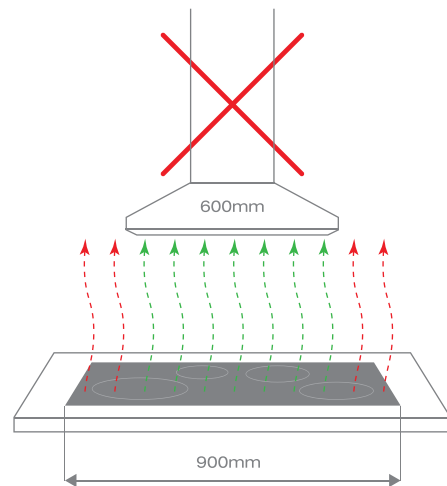
If the rangehood is positioned above the max height recommended, warranty may be compromised as performance of the rangehood will be affected. Measurement is taken from the top of the trivets to the underside of the hood. (Fig.1)



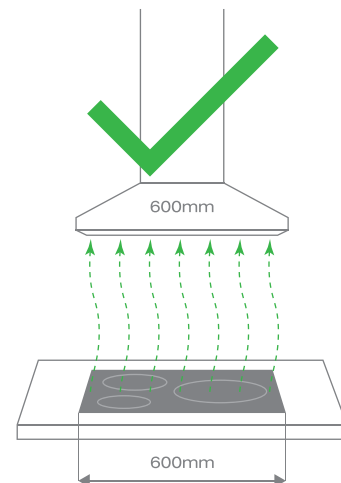
(Fig. 1)

- The air being drawn can't be conveyed through or into a duct used to let out fumes from appliances fed by energy other than electric power (eg. centralized heating, radiators, water heaters, etc.).
- Attention: remove any possible PVC film from the stainless steel, including the filters.
- To externally vent, please comply with the pertaining rules given by competent authorities.
- Provide the room with an adequate ventilation when a rangehood and appliances fed by energy other than electric power (gas, oil, or coal stoves, etc.) are used simultaneously. The rangehood, when evacuating the air, could generate a negative pressure in the room which can't exceed the limit of 0.04 mbar, in order to avoid the suck of exhausts deriving from the heat source. Therefore the room should be provided with air intakes to allow a constant flow of fresh air.
- The minimum distance between the supporting surface for the cooking vessels (trivets) on the hob and the lowest part of the range hood (filter). This distance shall be at least 60 cm. If the instructions for installation specify a greater distance, this has to be taken into account.

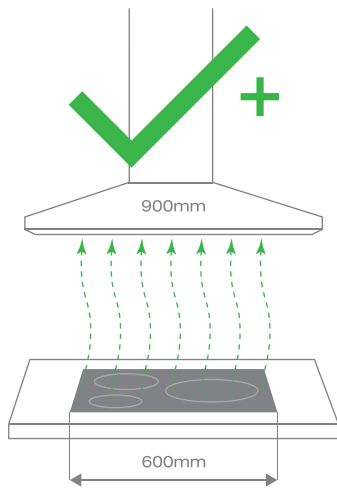
RANGEHOOD VS COOKTOP SIZE



Using a rangehood that is smaller than the cooktop may void the warranty and will result in a poor performance. The rangehood needs to be adequately sized to effectively capture and remove smoke, steam, and cooking odours.

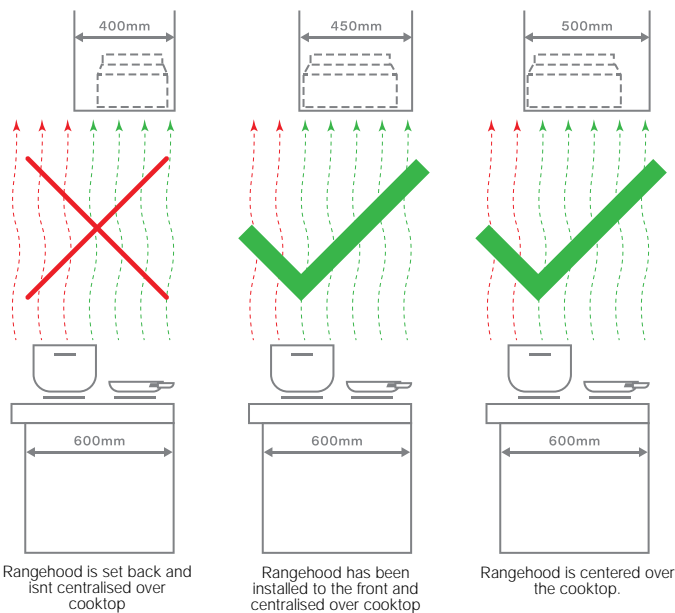


For optimal performance, it is crucial to match the rangehood size to the cooktop. This ensures the cooking area is covered and extraction is being pulled from correct area.



For even better performance especially for cooking with multiple burners and strong odours, it may be recommended to use a rangehood larger than the cooktop area. Please also note Induction cooktops produce 50% more condensation than gas so please also take this into consideration when choosing the best rangehood for your kitchen.

POSITION FOR OVERHEAD CABINET RANGEHOOD INSTALLATION



Rangehood is set back and isn't centralised over cooktop

Rangehood has been installed to the front and centralised over cooktop


Rangehood is centered over the cooktop.


Please note this is side view only

Before installing the rangehood, it is essential to take into account the depth of the benchtop and overhead cabinetry.

The following information serves as a general guide; the diagrams are not to scale and may not cover all situations. In the diagrams, the cooktop is centrally positioned on the benchtop.

If the overhead cabinetry extends deeper than usual, position the rangehood as close to the front as possible. This will optimize extraction by covering more of the cooktop surface.

If the rating label in the rangehood shows the symbol , the appliance is built in class II° and it **does not need** any earth connection.

If the rating label in the rangehood does not show the symbol , the appliance is built in class I° and it **needs** the earth connection.

When performing the electrical connections on the appliance, please make sure that the current-tap is provided with earth connection and that voltage values correspond to those indicated on the label placed inside the appliance itself.

Before carrying out any cleaning or maintaining operations, the appliance needs to be switched off. If the appliance is not provided with a non-separable flexible cable and plug, or with another device ensuring omnipolar disconnections from the grid, with an opening distance between the contacts of at least 3mm, then such disconnecting devices must be supplied within the fixed installation.

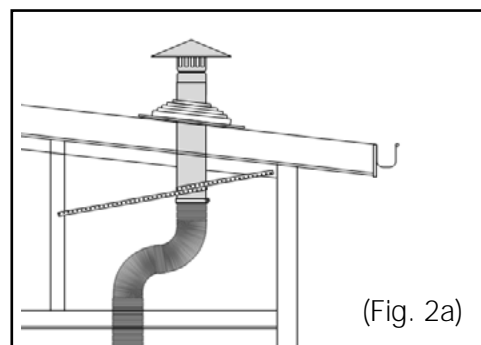
If the fixed appliance is endowed with a supply cord and a plug, the appliance has to be put in a place where the plug can be reached easily.

The use of materials which can burst into flames should be avoided in close proximity of the appliance. When frying, please pay particular attention to fire risk due to oil grease. Being highly flammable, fried oil is especially dangerous. Do not use uncovered electric grills. In order to avoid possible fire risk, all instructions for grease-filter cleaning and for removing eventual grease deposits should be strictly followed.

When ducting rangehood, options are as follows:

Roof vent - EASYROOF 150T/M

*Kit includes roof flashing



(Fig. 2a)

WARNING: Failure to install the screws or fixing device in accordance with these instructions may result in electrical hazards.

CANOPY RANGEHOOD INSTALLATION - ONBOARD MOTOR



Before installing the appliance, make sure that none of the parts are damaged in any way. In case of damaged parts, contact your retailer and do not proceed with installation. Read all of the following instructions with care before installing the appliance.

- Use ducting within the min/max specifications
- Limit the number of ducting bends.
- Do not make any changes in ducting diameter (recommended constant diameter: Ø 150 mm / Ø 200 mm or equal surface area).

Before installing the appliance - in order not to damage the appliance itself - the metal grease filter should be removed. These filters could be removed by pushing the handles towards the back side of the rangehood and pulling it downwards to unfasten it from its slot. (Fig.3).

To install the appliance please follow these instructions:

- The appliance must be installed by qualified technicians, or where possible use a Sirius recommended installer. See siriusbrand.com. In order to avoid damage to the electronic parts of the appliance, please do not use additional screws.
1. Prepare the power supply - 240 volts.
 2. Prepare a hole for the exhaust - 160mm diameter for single motor & 210mm for for twin motor versions.
 - Maximum length of ducting should not exceed 7 metres.
 - Do not use screws to fix the ducting to the rangehoods as they will prevent the movement of non-return valves.
 - Limit the number of elbows in the ducting, since each elbow reduces the duct efficiency by 1 metre. (i.e. if you use two 90° elbows, the length of ducting must not exceed 5 metres.)
 - Avoid abrupt direction changes.
 - Use 150mm constant diameter ducting for the whole length for the single motor, 200mm ducting for the twin motor model.
 - **The use of Sirius ducting will increase the warranty of the unit to 6 years.**

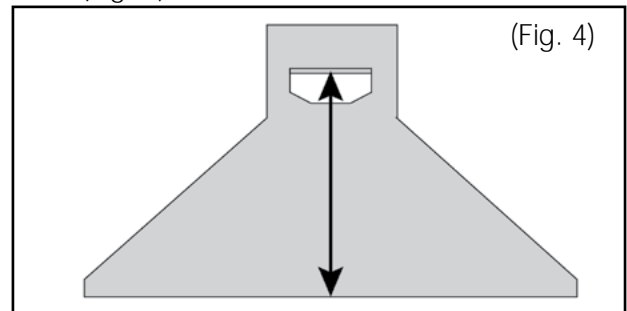


1. **The rangehood is quite heavy, so two people will be needed for installation.**



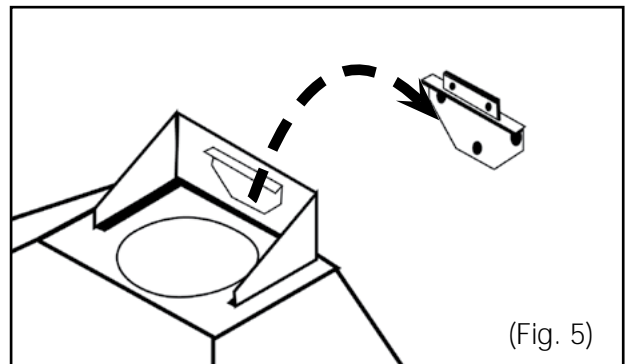
2. **Before connecting any ducting to the motor, make sure the non-return valves - which are on the air outlet of the motor - can swing open.**

3. Using the supplied bracket template (pg. 7), mark the location of the holes that need to be drilled in the wall, being careful to make sure that the wall behind is clear of electrical wiring, plumbing, pipes etc. Note: Be sure to set the height of the rangehood between the minimum and maximum height requirements as per diagram Fig. 1 (Pg. 3). This can be done by measuring from the lowest point of the rangehood to the horizontal support bar. (Fig. 4)



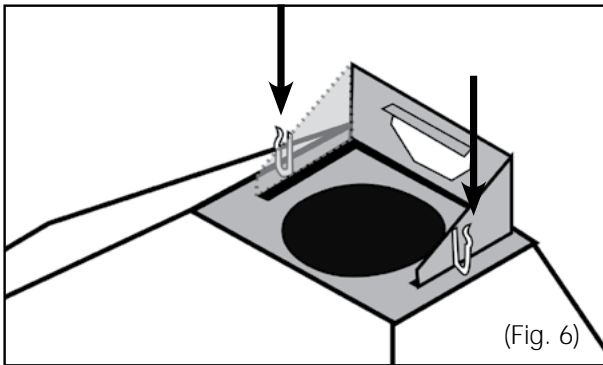
NOTE: Model measurements will vary.
Please check specific model specs.

4. Using an 8mm drill bit, pre-drill the holes that will hold the bracket to the wall. (Using bracket template)
5. Insert the supplied plastic dowels to the pre-drilled holes and fix bracket to the wall with the supplied screws. (Note: Please use a spirit level to make sure the bracket is perfectly level.)
6. Once the bracket is secure, using two people, lift the hood and drop the horizontal support bar onto the fixed bracket (Fig. 5).



(Note: There are additional holes on the inside of the hood to secure the rangehood flush to the wall and completely stable. (Hole locations will vary per model.)

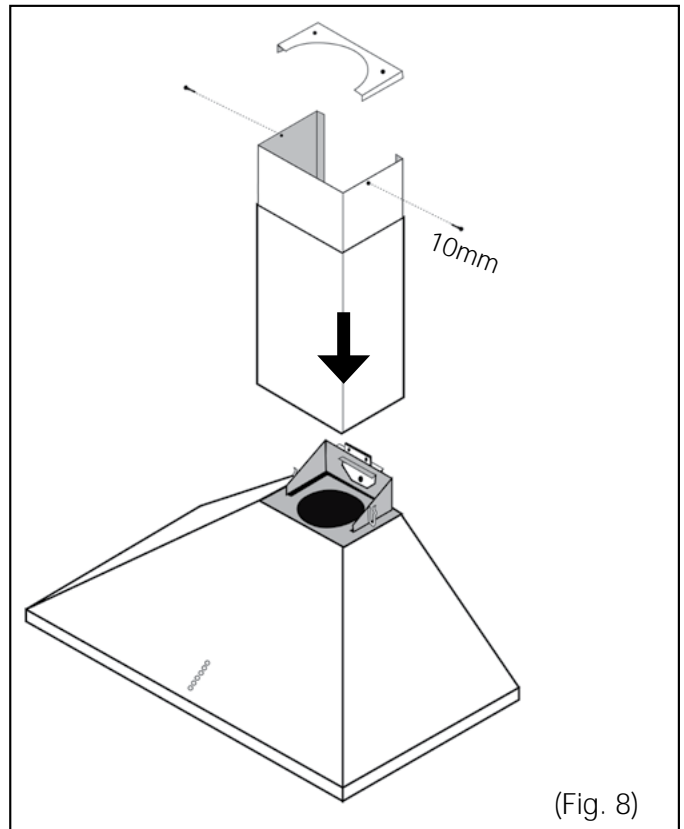
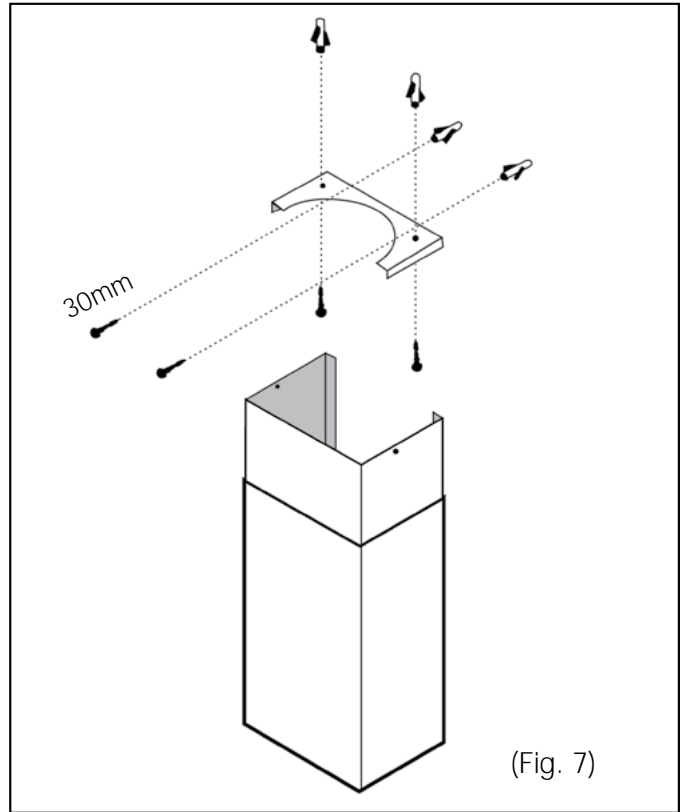
7. Connect your Sirius ducting (see www.siriusbrand.com for approved ducting) to the outlet collar on the rangehood and secure in place with a ring clamp if you are using semi rigid ducting. If you are using solid/rigid ducting and external duct connector is required. (Note: do not fix the ducting in place with screws as they will prevent the movement of the non-return valves). (See Fig. 2 for ducting options). Complete all of the duct work to the atmosphere before fixing the flue covers in place to ensure the ducting has not come free.
8. Insert the upper flue cover into the cover into the lower flue cover and mount into the channel on the top of the rangehood. There are two spring loaded clips that need to be on the inside of the lower flue cover to secure in place. (Fig. 6.)



9. Telescope the upper flue cover to the ceiling and mark with a pencil the outer line of the cover, this will give you the exact location of where the top fixing bracket needs to be fitted to the ceiling.
10. Fix the top fixing bracket into place using the supplied **30mm screws** (Fig.7) and telescope the upper flue cover over the bracket and secure in place with the **very small 10mm supplied screws**. (Fig 8.)



**Please do not fix shroud permanently.
Must be removable for servicing purposes.**

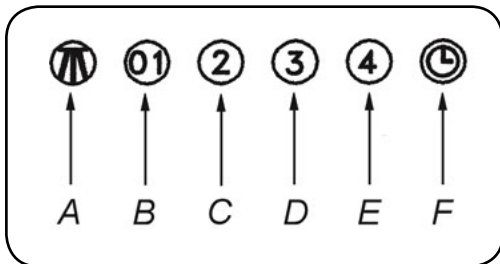


USING THE RANGEHOOD

Manual control buttons:

SL22900EL & SL22900BKEL

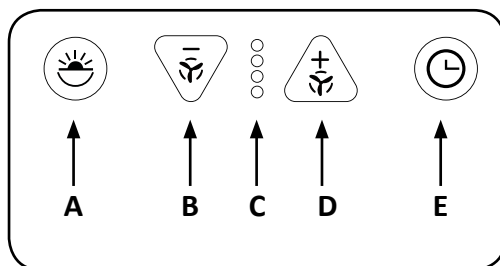
- A: Light switch on/off
- B: Motor switch on speed 1/off - (low/simmer)
- C: Motor switch on speed 2 - (general cooking)
- D: Motor switch on speed 3 - (high power)
- E: Motor switch on speed 4 - (booster)
- F: 10 minute shut-off timer



Electronic touch control

SLTC97900EL

- A: Light switch on/off
- B: Motor speed decrease / motor off
- C: Motor speed indicator
- D: Motor speed increase
- E: 10 minute shut-off timer



Dimmable light function for SLTC97900EL

This function provides for light dimmability, ranging from 20% to 100%. By continuously pressing the light key on the remote control.

Functions are the following:

- Hood Light OFF - Shortly press the key - Light on at 100%
- Light On at 100% - Shortly press the key - LIGHT OFF.
- Light On at 100% - Continuously press the key - Brightness reduction

- Releasing the key during reduction or increase. - Light keeps the luminous intensity reached.


- Light On - Dimmed - Continuously press the key
- Brightness is inverted if compared to the previous function.

Colour Temperature Settings for SLTC97900EL

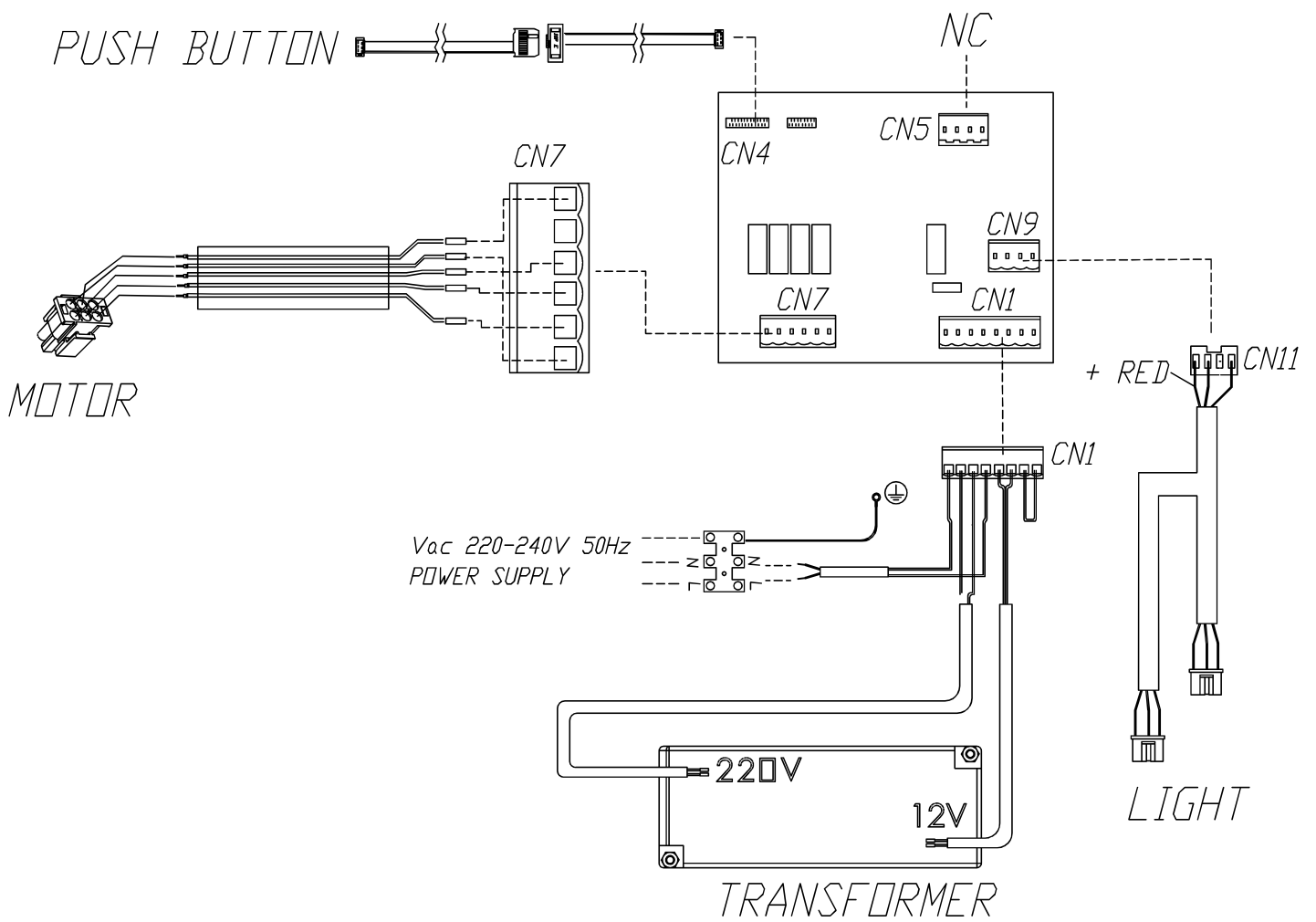
Make sure that the lights and the fan are off. Holding down the TIMER key will turn on the light at the previously set colour temperature. Press and hold the Light key to change the colour temperature.

As long as the key is kept pressed, the colour temperature is changed from warm to cold, just leave the Light key to select the desired colour. Exit the colour temperature selection function by pressing the ON/OFF key.

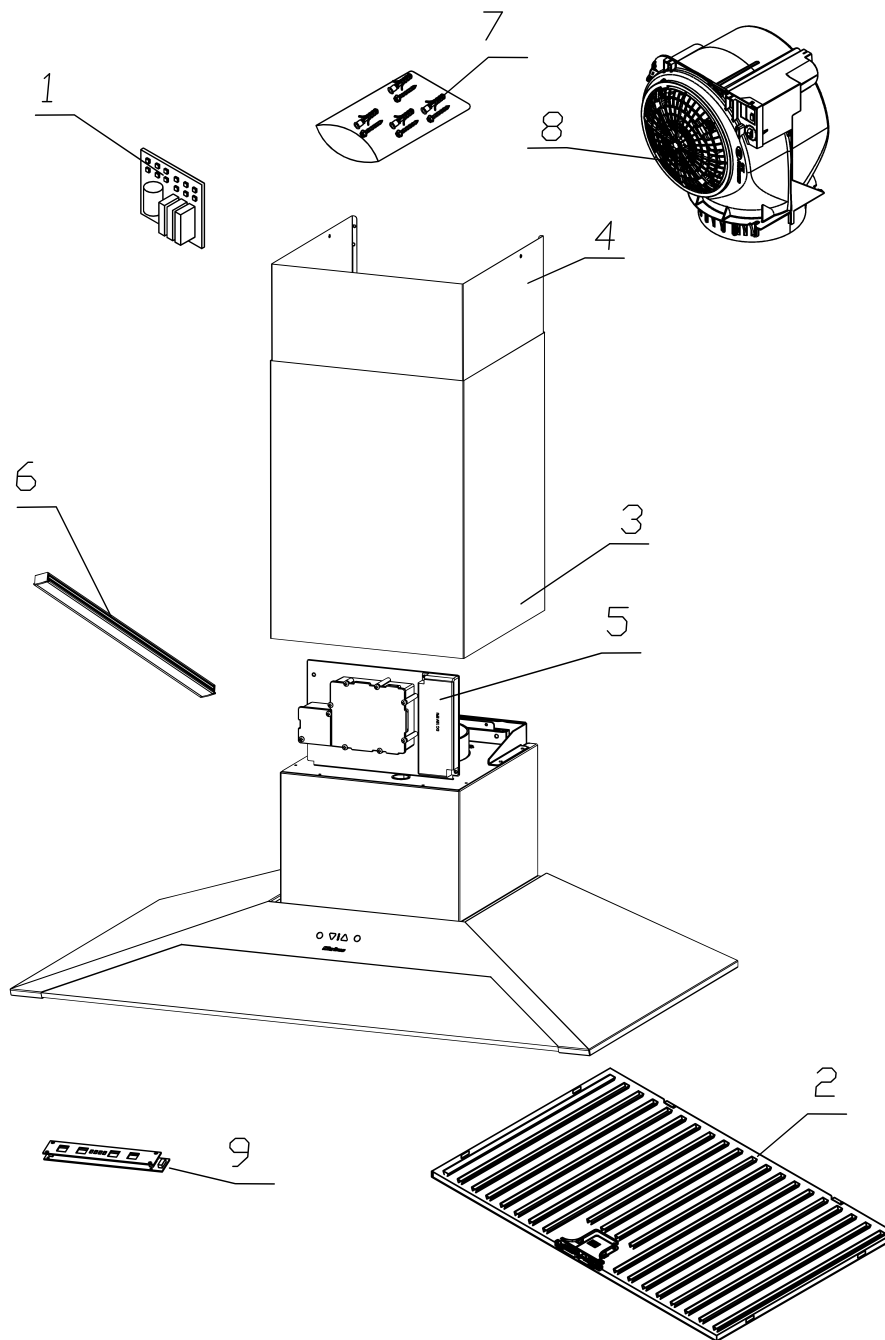
MAINTENANCE

- Accurate maintenance guarantees good functioning and long-lasting performance.
- Particular care is due to the grease filter panel. It can be removed by pushing its handle toward the back side of the rangehood and pulling the filter downwards so to unfasten it from its slot (Fig.2). To insert the filter just perform the opposite operation.
- After 30 hours of operation, the buttons on the control panel will flash, signaling the filters are due for cleaning. Press the timer button  to reset. The grease filter needs cleaning by regular handwashing or in dishwashers every two months at least, depending on its use.
- **Filters may require cleaning sooner if frequent heavy frying is done.**
- To clean the appliance itself, water and detergent are recommended, while abrasive products should be avoided. For steel appliances specialized detergents are recommended (please follow the instructions indicated on the product itself to obtain the desired results).

SLTC97900EL WIRING DIAGRAM



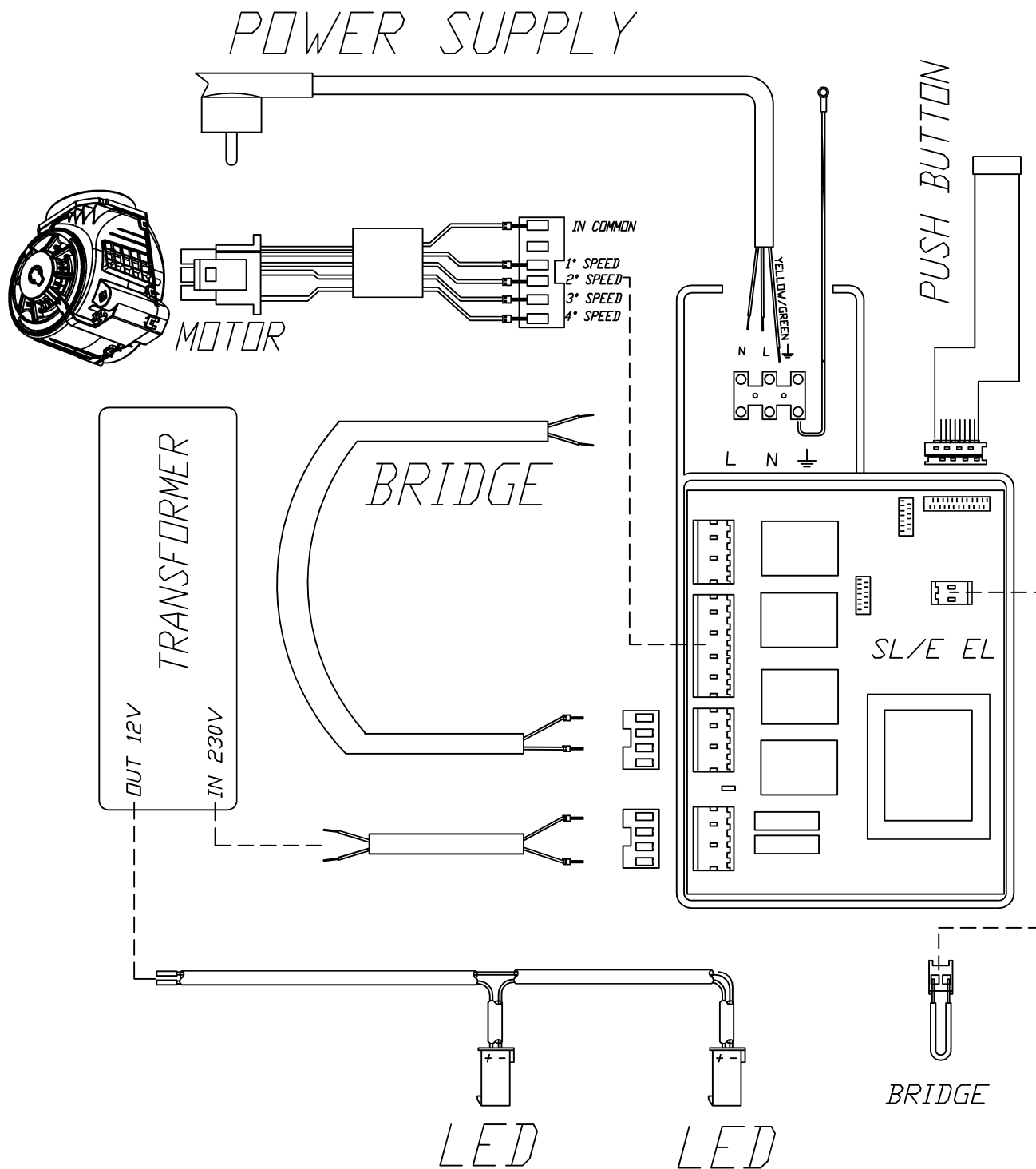
SLTC97900EL EXPLODED VIEW



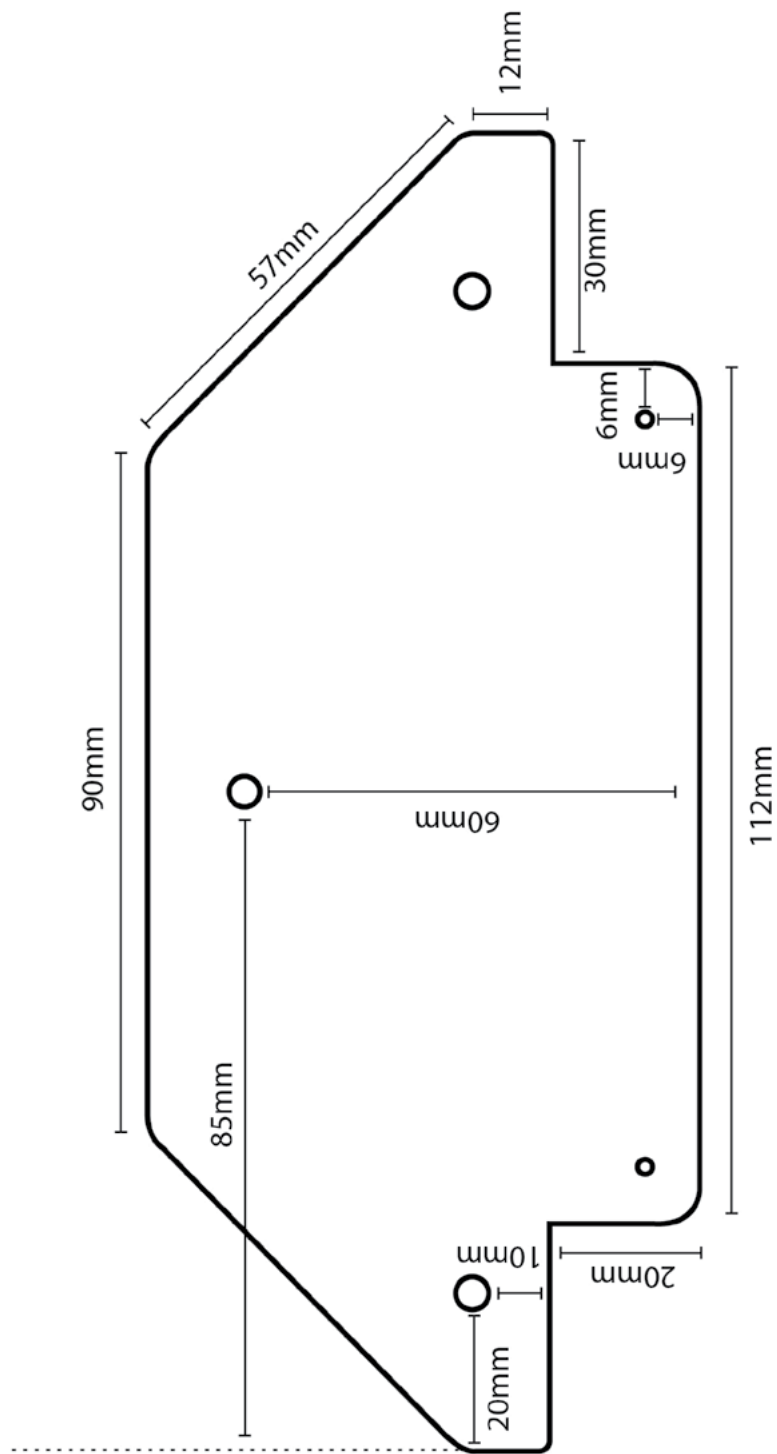
1. ELECTRONIC BOARD SLT/ED COLOR EL
2. FRONT FILTER SLTC97 LFI-B024
3. LOWER CHIMNEY H=570
4. UPPER CHIMNEY
5. KU2 TRANSFORMER

6. LED BAR 320mm 2700°K-6500°K
7. ACCESSORIES
8. Motor GPE837
9. PUSH BUTTON WHITE SL/02I TC

SL22900EL/SL22900BKEL WIRING DIAGRAM



BRACKET TEMPLATE



WARRANTY INFORMATION



Sirius

Dear Customer,

Thank you for choosing this Sirius Rangehood.

We are sure that it will provide you with many years of excellent service. At Arisit Pty Limited we are dedicated to ensuring that our customers receive the best possible after-sales care.

The Sirius 'Protection Plan' has been devised to give you added peace of mind. Should you encounter any problems with your appliance, our nationwide team of specially trained technicians will deal with your call swiftly and efficiently.

PRIORITY SERVICE, ACCESSORIES & SPARE PARTS

AUSTRALIA

ARISIT PTY LIMITED

40-50 Mark Anthony Drive, Dandenong South,
VIC 3175, Australia

Phone: 1300 762 219

Email: consumer.care@arisit.com

Warranty

By registering your ownership NOW, you qualify for Sirius's Total Peace of Mind Protection Plan.

Australian 3 / 6 Year Protection Plan*

This guarantees your appliance for a full 3 years parts and labour & 10 years for the off-board motors (covering manufacturing defects only) from the date of purchase, subject to the Terms and Conditions overleaf.

***3 Year warranty is extended to a 6 year period only when Sirius ducting is installed.**

 **Year Warranty**
when Sirius ducting is used*
siriusaustralia.com.au

Your Warranty

Register now to qualify.

Terms & Conditions

These Terms and Conditions apply only to Sirius products distributed in Australia and New Zealand by Arisit Pty Limited.

1. This warranty applies for a period of 3 years on all products.
 - a) Warranty is extended to a 6 year period when Sirius ducting is installed.
 - b) All off-board motors are covered under warranty for a 10 year period for manufacturing defects only.
2. Warranty applies for parts and labour in Australia and New Zealand, commencing from date of purchase.
3. This warranty applies only to the original purchaser/hire purchaser of this appliance and cannot be assigned or transferred. Failure to produce documentary proof of the date of original acquisition by the original purchaser will result in a charge being levied for work done, labour and parts supplied.
4. This warranty does not apply to:
 - a) Consumable items such as filters, fuses, and light bulbs.
 - b) Damage to body work, paint work, glass, and plastic items (such as, but not limited to windows, covers, baskets, trays, worktops, door handles, control and kick panels.)
 - c) Corrosion & rust damage.

A fee may be charged following warranty claims where no fault is found with the appliance.

5. This warranty will not apply where:
 - a) The fault is caused by accident, misuse, an infestation of insect and or vermin, fire, flood or the use of products not approved by Arisit Pty Limited.
 - b) There has been a failure to comply with the manufacturer's operating and installation instructions.
 - c) Service, modification or repair has been carried out by anybody other than an approved Arisit Service Technician.
 - d) The appliance has been used/ installed anywhere other than a private dwelling, or where it has been used other than for domestic use.
 - e) The appliance is subject to a rental agreement.
6. Any defective part that has been replaced becomes the property of Arisit Pty Limited.
7. This warranty applies only to Sirius appliances purchased and installed in Australia and New Zealand.
8. Loss of use of the appliance or consequential loss of any nature is not covered.
9. A charge may be levied at the discretion of Arisit Pty Limited if the call is deemed unnecessary or if the cause of failure is traced to external sourced such as, but not limited to: blown fuses, power failure, faulty installation, customer misuse or negligence, etc
10. Where the appliance, the subject of a warranty claim or repair, is used or installed more than TWENTY (20) kilometres from the nearest Arisit Service Division or Authorised Service Agent, the cost of delivery to the nearest Service

Division or travel costs for a technician or Authorised Service Agent shall be for the account of the Purchaser. Where a built-in appliance is located or installed outside the Arisit Authorised Service Agent's normal service area, additional travel and labour costs shall be the account of the Purchaser.

11. Service is offered during normal business hours only, also appliances to have a clear access in a serviceable area
 12. Arisit Pty Limited shall not under any circumstances be responsible in terms of this warranty for the replacement or repair of any part of the equipment which may have been damaged in transit, during and after installation or imperfections after installation.
 13. Losses caused by act of God, failure to obtain spare parts, strikes or lockouts are not covered.
 14. External off board motors must be installed a minimum of 2 metres and maximum of 7 metres away from the rangehood. This is for optimum sound and performance.
 15. All motors must be accessible for servicing purposes and if installed above 2 metres from ground height additional cost will be incurred due to OH&S standards for service agents. Prior to install please check minimum & maximum installation details on the Sirius website, FAQ under support tab.
- We reserve the right to amend any of the above without prior notice.
16. This warranty does not affect your statutory rights.

To register for your warranty, please visit:
arisit.com/pages/new-product-registration
or scan the QR code.



www.arisit.com

siriusaustralia.com.au

ARISIT PTY LIMITED (Australia)
ABN 23 091 515 294

40-50 Mark Anthony Drive
Dandenong South VIC 3175

P: Sales & Service: 1300 762 219

F: Sales & Service: (03) 9768 0838

E: arisit@arisit.com

**6 Year
Warranty**

when Sirius ducting is used.

Full replacement warranty on parts and labour. Check website for T&Cs.

10 year warranty on SEM motors.

Sirius Hoods and ducting products are only available from our select group of Sirius Professional Stockists nationwide. For the latest list of Sirius Stockists near you, please refer to siriusaustralia.com.au

All efforts have been made to ensure that the information provided in this brochure is correct at the time of printing. Due to continuous product improvement and ongoing development, Sirius reserves the right to make changes to the products and technical data without prior notice. Some products appearing in this brochure may be for illustrative purposes only. Diagrams are indicative measures only. Prior to commencing cabinetry cutouts the operating/installation instructions accompanying the product must be referred to at siriusaustralia.com.au