

S-BE1 Household Extractor



let's get
Sirius
with rangehood design



S-BE 1 Bathroom Extractor

Features and Benefits:

STAINLESS STEEL FINISH	Stylish stainless steel finish to compliment any bathroom or ensuite
PERIMETRICAL EXTRACTION	Designed to increase airflow. Stainless steel panel with aluminium internal filter
INTERNAL MOTOR	Single Aluminium with 450 M ³ /h extraction
MADE IN ITALY	Units are designed specifically for the Australian market and manufactured in Italy by a dedicated boutique specialist manufacturer
GERMAN MADE MOTOR	With a German engineered and manufactured motor the Sirius silent system motor ensures performance and reliability of years to come

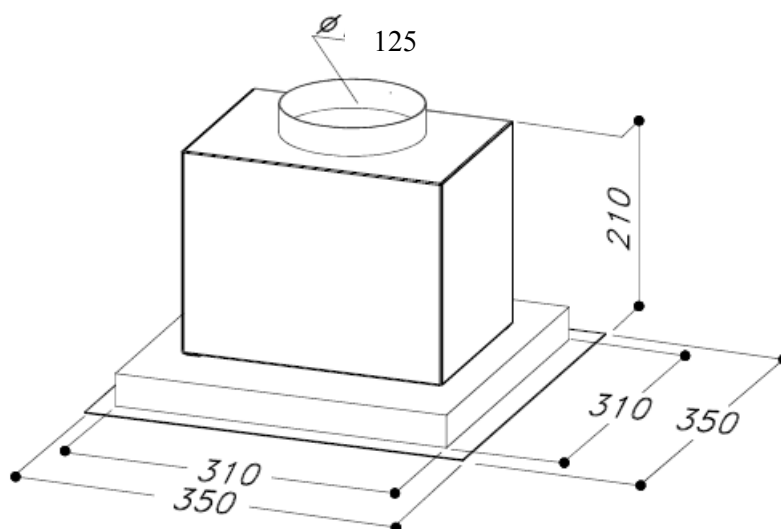
Distributed by Arisit Pty Ltd

40-44 Mark Anthony Drive, Dandenong South VIC 3175 Ph: 1300 762 219 Fax: 03 9768 0838 Website: www.arisit.com

S-BE1 Household Extractor



let's get
Sirius
with rangehood design



Technical Specifications:

MODEL	S-BE1 Stainless Steel
CONTROL PANEL	Single Speed cable to switch on & off
MOTOR	Single Aluminium
EXTRACTION	450 M3/h
DUCTING DIAMETER	125 mm
LIGHTS	N/A
FILTER	Aluminum
ELECTRICAL REQUIREMENT	10A
PRODUCT DIMENSIONS	210mm H X 350mm W X 350mm D

WARNING: technical specifications and product sizes can be varied by the manufacturer, without notice. Cut outs for appliances should only be by physical product measurements. The above information is indicative only.

Distributed by Arisit Pty Ltd

40-44 Mark Anthony Drive, Dandenong South VIC 3175 Ph: 1300 762 219 Fax: 03 9768 0838 Website: www.arisit.com