

# S-BE1 WH Household Extractor



let's get  
**Sirius**  
with rangehood design



## S-BE 1 WH Extractor

### Features and Benefits:

WHITE FINISH	Clean and stylish white finish to compliment any bathroom or ensuite
PERIMETRICAL EXTRACTION	Designed to increase airflow. Stainless steel panel with aluminium internal filter
INTERNAL MOTOR	Single Aluminium with 450 M <sup>3</sup> /h extraction
MADE IN ITALY	Units are designed specifically for the Australian market and manufactured in Italy by a dedicated boutique specialist manufacturer
GERMAN MADE MOTOR	With a German engineered and manufactured motor the Sirius silent system motor ensures performance and reliability of years to come

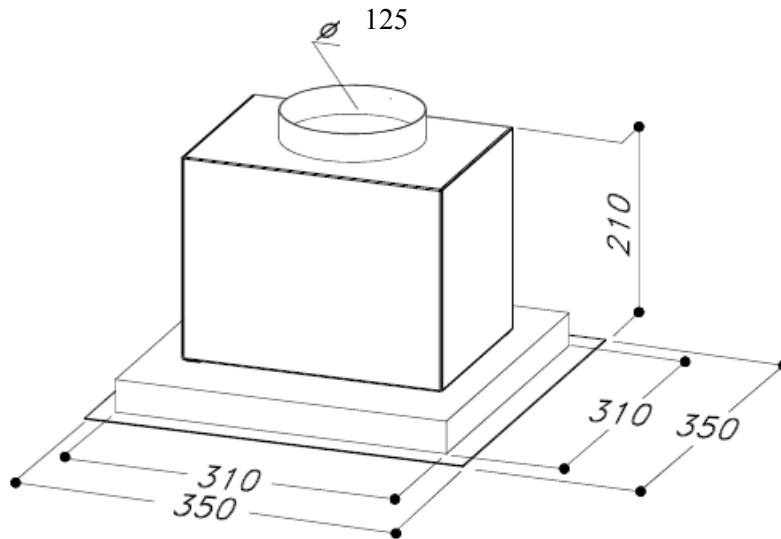
**Distributed by Arisit Pty Ltd**

40-44 Mark Anthony Drive, Dandenong South VIC 3175 Ph: 1300 762 219 Fax: 03 9768 0838 Website: [www.arisit.com](http://www.arisit.com)

# S-BE1 WH Household Extractor



let's get  
**Sirius**  
with rangehood design



## Technical Specifications:

<b>MODEL</b>	S-BE1 WH WHITE
<b>CONTROL PANEL</b>	Single Speed cable to switch on & off
<b>MOTOR</b>	Single Aluminium
<b>EXTRACTION</b>	450 M3/h
<b>DUCTING DIAMETER</b>	125 mm
<b>LIGHTS</b>	N/A
<b>FILTER</b>	Aluminum
<b>ELECTRICAL REQUIREMENT</b>	10A
<b>PRODUCT DIMENSIONS</b>	210mm H X 350mm W X 350mm D

WARNING: technical specifications and product sizes can be varied by the manufacturer, without notice. Cut outs for appliances should only be by physical product measurements. The above information is indicative only.

**Distributed by Arisit Pty Ltd**

40-44 Mark Anthony Drive, Dandenong South VIC 3175 Ph: 1300 762 219 Fax: 03 9768 0838 Website: [www.arisit.com](http://www.arisit.com)