

SDD2 EMTC 1180 WH

118CM DOWNDRAFT HOOD WITH WHITE GLASS PANEL



let's get
Sirius
with rangehood design



SDD2 EMTC 1180 WH

Features and Benefits:

DOWNDRAFT DESIGN	Perfect for island installation offering an alternative to bulky island hoods, Modern aesthetic, retractable for unrestricted vision, installed in bench making it versatile for impeded installation situations such as multiple storey builds and obstructing window locations
HIDDEN ALUMINIUM FILTERS	Aesthetically pleasing, Dishwasher safe, Easy to remove, Effective in the removal of odours, Designed to trap grease, Long lasting
INDUCTION COUNTDOWN CONTROL	10 minute auto function used at the end of cooking to reduce condensation build up common to induction cooking.
FULL ELECTRONIC TOUCH CONTROL	Sleek, easy to clean touch controls in toughened glass
SAFETY SHUTDOWN	Stops unit being damaged due to miss installed filters from obstructing closing mechanism
MADE IN ITALY- GERMAN MADE FILTER	Units are designed specifically for the Australian market and manufactured in Italy by dedicated boutique specialist manufacturer
WARRANTY	Warranty is 4 years only when Sirius ducting is used. Sirius strongly recommend to use the correct ducting as to not void warranty and to achieve the ideal result

Distributed by Arisit Pty Ltd

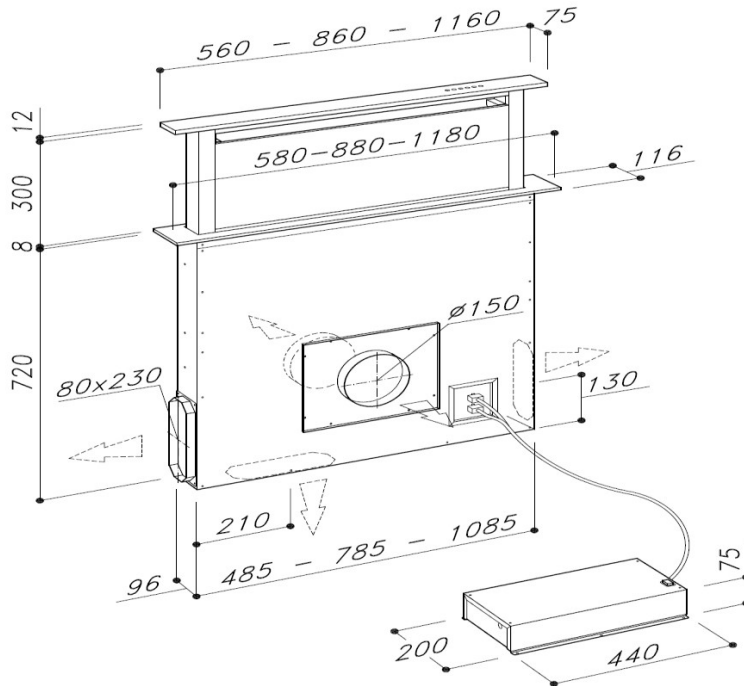
40-44 Mark Anthony Drive, Dandenong South VIC 3175 Ph: 1300 762 219 Fax: 03 9768 0838 Website: www.arisit.com

SDD2 EMTC 1180 WH

118CM DOWNDRAFT HOOD WITH WHITE GLASS PANEL



let's get
Sirius
with rangehood design



WARNING!

Do not install below overhead cupboards as access if required in the case of a service call. The unit must be accessible to remove

Technical Specifications:

MODEL	SDD2 EMTC 1180 WH
CONTROL PANEL	TOUCH CONTROL
MOTOR	SEM 7 SEM 8 SEM 10
EXTRACTION	2300m/3h 1650m/3h
DUCTING DIAMETER	200mm
LIGHTS	N/A
FILTER	ALUMINIUM MESH
ELECTRICAL REQUIREMENT	10A
PRODUCT DIMENSIONS	1180 x 116 x 728 + 312
WARRANTY	3 YEARS - 4 YEARS WHEN SIRIUS DUCTING IS USED

WARNING: technical specifications and product sizes can be varied by the manufacturer, without notice. Cut outs for appliances should only be by physical product measurements. The above information is indicative only.

Distributed by Arisit Pty Ltd

40-44 Mark Anthony Drive, Dandenong South VIC 3175 Ph: 1300 762 219 Fax: 03 9768 0838 Website: www.arisit.com