

SDD2 L EMTC 1180

1180MM FLUSH DOWNDRAFT HOOD WITH WHITE PANEL



let's get
Sirius
with rangehood design



SDD2 L EMTC 1180 WH

Features and Benefits:

DOWN DRAFT WITH FLUSH FIT DESIGN	Perfect for island installation offering an alternative to bulky island hoods, Modern aesthetic, retractable for unrestricted vision, installed in bench making it versatile for impeded installa-
HIDDEN ALUMINIUM FILTERS	Aesthetically pleasing, Dishwasher safe, Easy to remove, Effective in the removal of odours, Designed to trap grease, Long lasting
INDUCTION COUNTDOWN CONTROL	10 minute auto function used at the end of cooking to reduce condensation build up com-
FULL ELECTRONIC TOUCH CONTROL	Sleek, easy to clean touch controls in toughened glass
SAFETY SHUTDOWN	Stops unit being damaged due to miss installed filters from obstructing closing mechanism
MADE IN ITALY	Units are designed specifically for the Australian market and manufactured in Italy by dedi-
MULTIPLE VENT OUTLETS	There are several outlet points located on the unit (see above arrows on diagram) for ease and flexibility of install options

Distributed by Arisit Pty Ltd

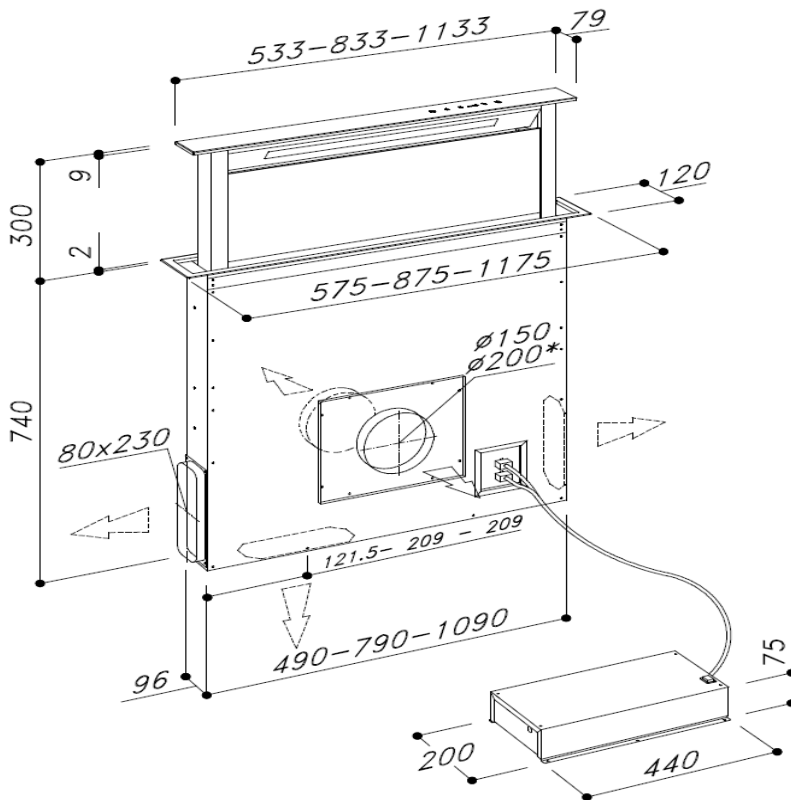
40-44 Mark Anthony Drive, Dandenong South VIC 3175 Ph: 1300 762 219 Fax: 03 9768 0838 Website: www.arisit.com

SDD2 L EMTC 1180 WH

1180MM FLUSH DOWNDRAFT HOOD WITH WHITE PANEL



let's get
Sirius
with rangehood design



WARNING!

Do not install below overhead cupboards as access is required in the case of a service call. The unit must be accessible to

Technical Specifications:

MODEL	SDD2 L EMTC 1180 WH
CONTROL PANEL	TOUCH CONTROL
MOTOR	SEM7 SEM8
EXTRACTION	2300m/3h 1650m/3h
DUCTING DIAMETER	200mm
LIGHTS	1 x LED
FILTER	ALUMINIUM MESH
ELECTRICAL REQUIREMENT	10A
PRODUCT DIMENSIONS	1175 x 120 x 742 + 309

WARNING: technical specifications and product sizes can be varied by the manufacturer, without notice. Cut outs for appliances should only be by physical product measurements. The above information is indicative only.

Distributed by Arisit Pty Ltd

40-44 Mark Anthony Drive, Dandenong South VIC 3175 Ph: 1300 762 219 Fax: 03 9768 0838 Website: www.arisit.com