

S-DDH3

90cm 4 Zone Induction Cooktop with Integrated Downdraft



Sirius



Features and Benefits:

Warranty	3 Year Warranty (4 year warranty when Sirius ducting used)
Automatic Warm-up Function	This feature sets the cooking zone to the highest heat level for a certain period of time and then automatically switches back to the selected cooking setting.
Power boost on all zones	Booster function to temporarily supply additional power to an induction zone to bring food to high temperatures quickly.
Bridge Function	Allows you to combine two cooking zones into 1 larger zone with combined power for larger pots. Four zone model offers one bridge between the left hand zones and one between the right hand zones.
Keep Warm Function	Keeps your dishes warm to maintain food temperature before serving.
Touch Control	Electronic controls with sensitive touch keys for both the downdraft and induction cooktop allowing you to accurately and easily control temperatures and extraction specifications.
4 Speed Extraction	4 speed extraction provided in rangehood to allow you to control air extraction levels.
Safety Features	A variety of safety functions to provide an extremely safe cooktop design. Safety lock to prevent children from accidentally switching the cooktop on as well as timer function, over heating protection and operating time limitation.
Easy Clean Induction Surface	Smooth and easy to clean cooktop surface can be wiped down easily.
MADE IN ITALY	Units are designed specifically for the Australian market and manufactured in Italy by dedicated boutique specialist manufacturer.

Distributed by Arisit Pty Ltd

40-44 Mark Anthony Drive, Dandenong South VIC 3175

Phone: 1300 762 219 Fax: 03 9706 6904

Website: www.arisit.com

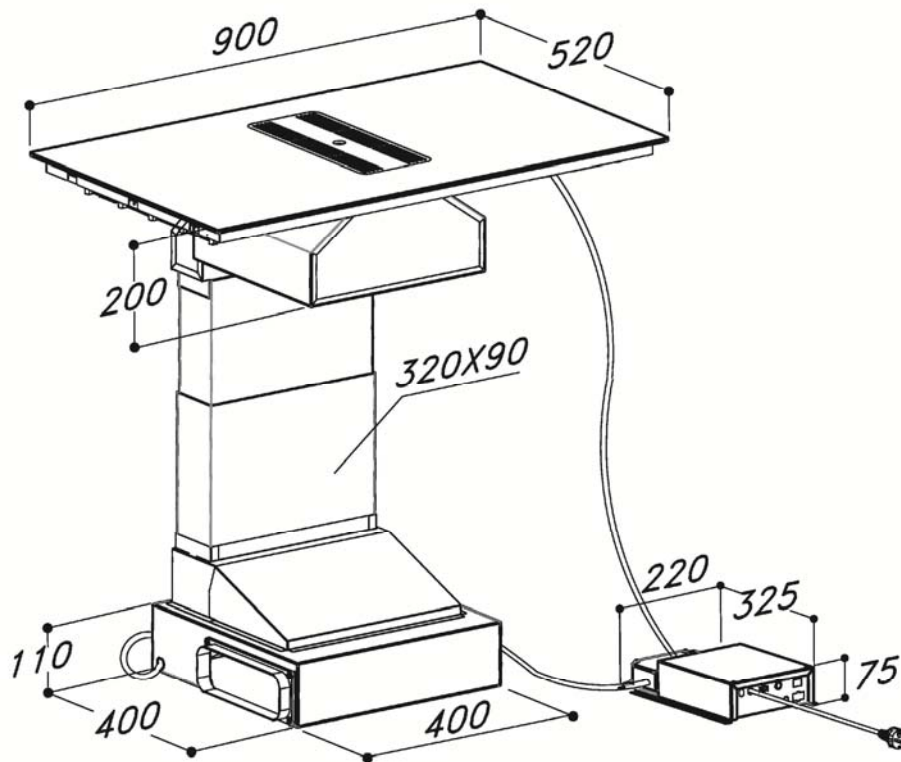
www.siriusbrand.com

S-DDH3

90cm 4 Zone Induction Cooktop with Integrated Downdraft



Sirius



Model	S-DDH3
Control Panel	Touch Control
Cooker Configuration	4 x Zone Induction (3 x 2.Kw & 3.7Kw with Booster) with 2 x Zone Bridge
Total Amps	32 AMPS
Electric Rating	220-240V (50-60Hz)
Extraction Motor	SEM12 brushless motor (included in box)
Filter	Anodized Aluminium (4+1). Recirculating option available
Ducting	Rectangular ducting (90mm x 220mm) — See website for options
Induction Surface	(W) 898mm x (D) 510mm
Product Dimensions	(W) 900mm x (D) 520mm
Cut Out Product Dimensions	(W) 860mm x (D) 490mm + 50mm Rear Clearance

WARNING: Technical specifications and product sizes can be varied by the manufacturer, without notice. Cut outs for appliances should only be physical product measurements. The above information is indicative only.

Distributed by Arisit Pty Ltd