

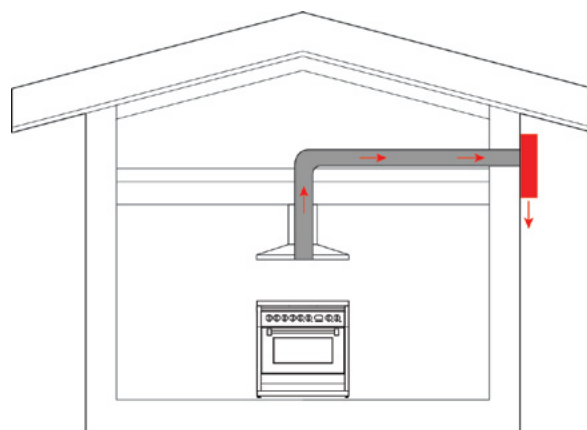
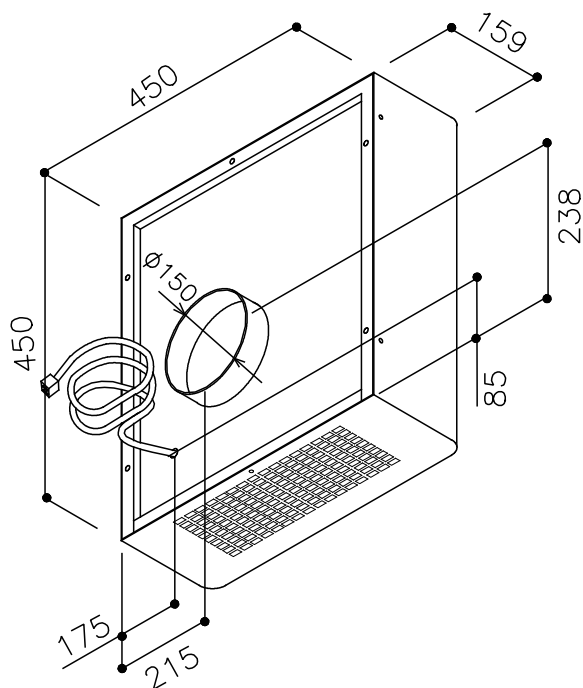
SEM21 MOTOR

Energy efficient European Motor

External installation



Motor install type	Outside the house
Ducting diameter	150mm
Extraction	1200m ³ /h
Electrical requirement	10A
Power absorption	265W
Pressure	480Pa
Noise	64 dBA
Dimensions (mm)	W450 x D159 x H450
Warranty	10 years



- Use semi-rigid or rigid ducting, not fully flexible foil ducting.
- Fewer bends means a quieter and more powerful extraction.
- Extra 3 years warranty on Sirius rangehood when Sirius ducting is used (total 6 years).
- See [support page](#) on Sirius website for installation videos and FAQs.

WARNING: technical specifications and product sizes can be varied by the manufacturer, without notice. Cut outs for appliances should only be by physical product measurements. The above information is indicative only.

Distributed by Arisit Pty Ltd

40-50 Mark Anthony Drive, Dandenong South VIC 3175

Ph: 1300 762 219

Fax: 03 9768 0838

Website: www.arisit.com

www.siriusbrand.com