

# SEM5 EXTERNAL MOTOR



let's get  
**Sirius**  
with rangehood design



## EXTERNAL MOTOR

---

### Features and Benefits:

---

#### SEM5 EXTERNAL

- Motor: 1200 m<sup>3</sup>/h extraction
- Aluminium die-cast motor housing
  - Absorption: 265W
  - Pressure: 480 Pa
  - Noise level 64 dBA
- **Ducting 150mm (circular)**

---

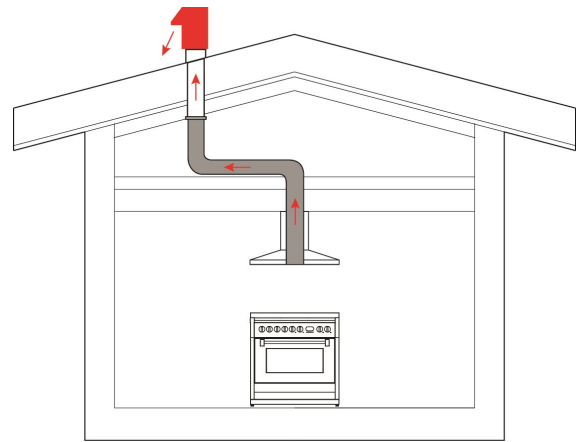
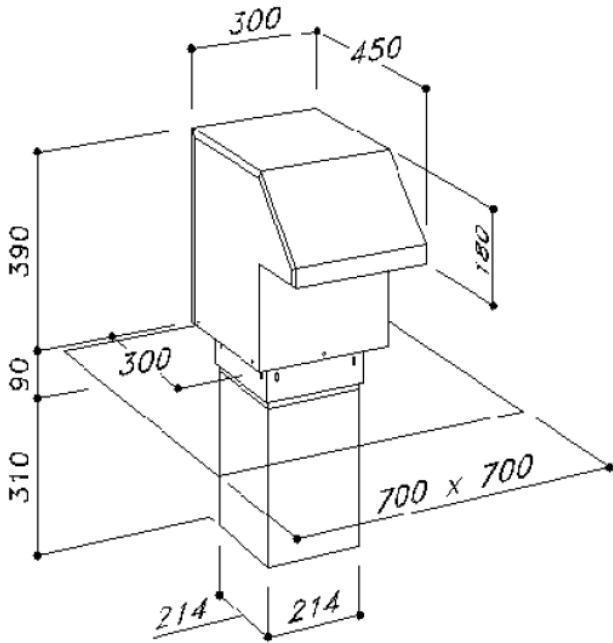
**Distributed by Arisit Pty Ltd**

40-44 Mark Anthony Drive, Dandenong South VIC 3175 Ph: 1300 762 219 Fax: 03 9768 0838 Website: [www.arisit.com](http://www.arisit.com)

# SEM5 EXTERNAL MOTOR



let's get  
**Sirius**  
with rangehood design



Canopy Install

### Technical Specifications:

<b>MODEL</b>	SEM 5
<b>MOTOR</b>	German Made
<b>EXTRACTION</b>	1200 m <sup>3</sup> /h extraction
<b>DUCTING DIAMETER</b>	Ducting 150mm
<b>NOISE</b>	64dBa
<b>PRODUCT DIMENSIONS</b>	WIDTH 300 HEIGHT 390 DEPTH 450

WARNING: technical specifications and product sizes can be varied by the manufacturer, without notice. Cut outs for appliances should only be by physical product measurements. The above information is indicative only.

**Distributed by Arisit Pty Ltd**

40-44 Mark Anthony Drive, Dandenong South VIC 3175 Ph: 1300 762 219 Fax: 03 9768 0838 Website: [www.arisit.com](http://www.arisit.com)