

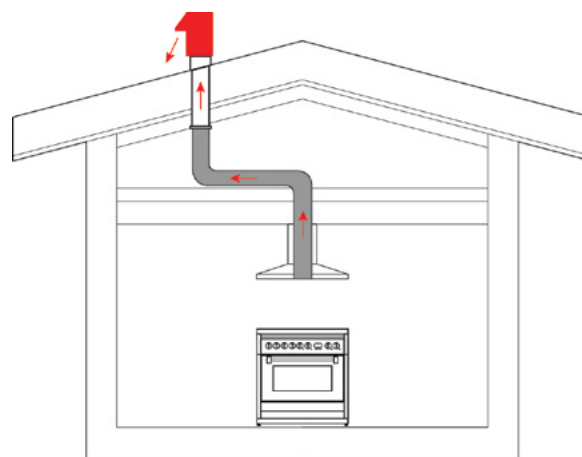
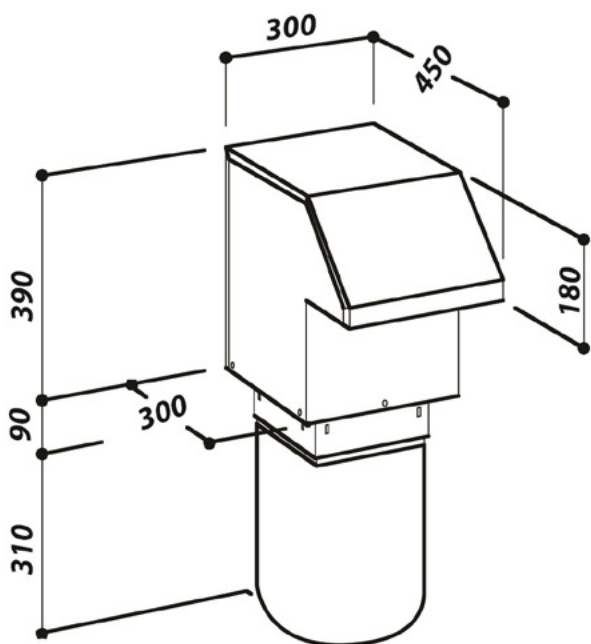
SEM51 MOTOR

Energy efficient European Motor

External installation



Motor install type	Roof
Ducting diameter	150mm
Extraction	1200m³/h
Electrical requirement	10A
Power absorption	265W
Pressure	480Pa
Noise	64 dBA
Motor dimensions (mm)	W300 x D450 x H480
Warranty	10 years
FLASHING NOT INCLUDED	



- Use semi-rigid or rigid ducting, not fully flexible foil ducting.
- Fewer bends means a quieter and more powerful extraction.
- Extra 3 years warranty on Sirius rangehood when Sirius ducting is used (total 6 years).
- See [support page](#) on Sirius website for installation videos and FAQs.

WARNING: technical specifications and product sizes can be varied by the manufacturer, without notice. Cut outs for appliances should only be by physical product measurements. The above information is indicative only.

Distributed by Arisit Pty Ltd