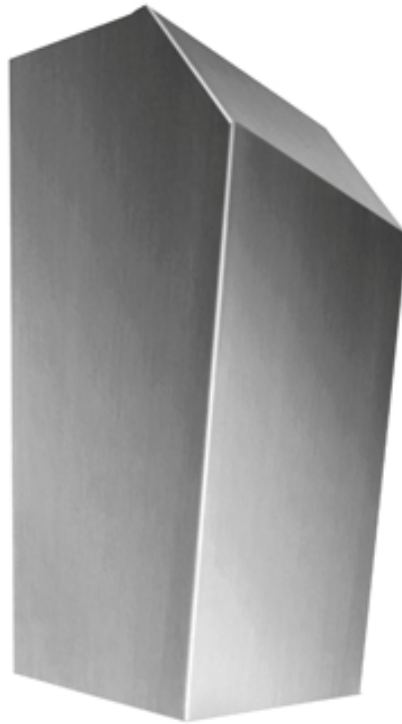


SEM7 *EXTERNAL MOTOR*



let's get
Sirius
with rangehood design



EXTERNAL MOTOR

Features and Benefits:

SEM7 EXTERNAL

- Motor: 2300 m³/h extraction
- Aluminium die-cast motor housing
 - Absorption: 265W
 - Pressure: 480 Pa
 - Noise level 68 dBA
 - **Ducting 200mm**

Distributed by Arisit Pty Ltd

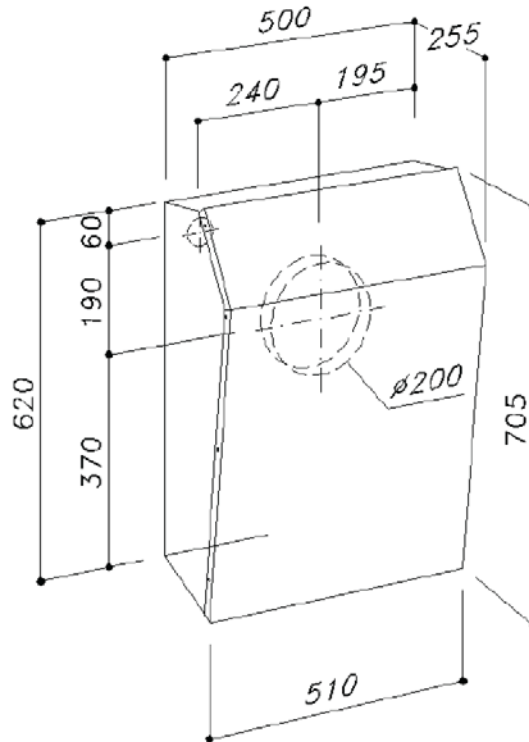
40-44 Mark Anthony Drive, Dandenong South VIC 3175 Ph: 1300 762 219 Fax: 03 9768 0838 Website: www.arisit.com

SEM7

EXTERNAL MOTOR



let's get
Sirius
with rangehood design



Technical Specifications:

MODEL	SEM 7
MOTOR	German Made
EXTRACTION	2300 m ³ /h extraction
DUCTING DIAMETER	Ducting 200mm (unit must be installed at a minimum of 500mm above ground level)
NOISE	68dBa
PRODUCT DIMENSIONS	WIDTH 510 HEIGHT 705 DEPTH 255

WARNING: technical specifications and product sizes can be varied by the manufacturer, without notice. Cut outs for appliances should only be by physical product measurements. The above information is indicative only.

Distributed by Arisit Pty Ltd

40-44 Mark Anthony Drive, Dandenong South VIC 3175 Ph: 1300 762 219 Fax: 03 9768 0838 Website: www.arisit.com