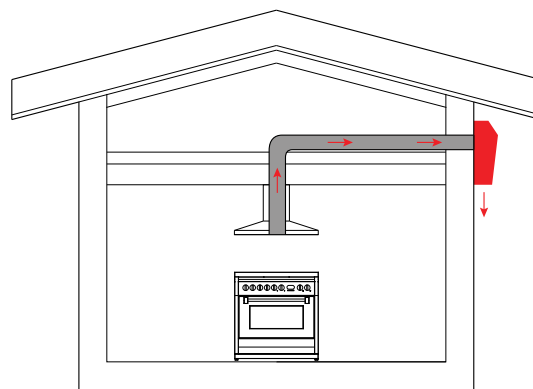
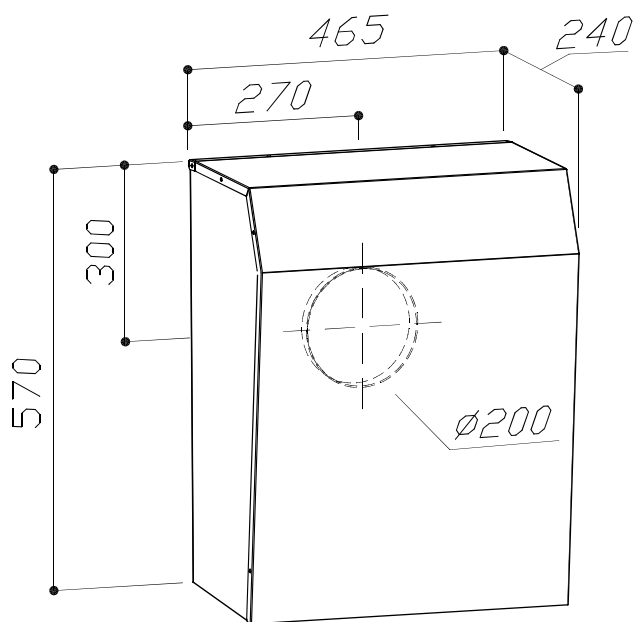


**SEM71 MOTOR**  
 Energy efficient European Motor  
 External installation



Motor install type	Outside the house
Ducting diameter	200mm
Extraction	2300m <sup>3</sup> /h
Electrical requirement	10A
Power absorption	265W
Pressure	480Pa
Noise	68 dBA
Dimensions (mm)	W465 x D240 x H570
Warranty	10 years



- Use semi-rigid or rigid ducting, not fully flexible foil ducting.
- Fewer bends means a quieter and more powerful extraction.
- Extra 3 years warranty on Sirius rangehood when Sirius ducting is used (total 6 years).
- See [support page](#) on Sirius website for installation videos and FAQs.

WARNING: technical specifications and product sizes can be varied by the manufacturer, without notice. Cut outs for appliances should only be by physical product measurements. The above information is indicative only.

Distributed by Arisit Pty Ltd