

SEM8 INTERNAL MOTOR



let's get
Sirius
with rangehood design



INTERNAL MOTOR

Features and Benefits:

SEM8 INTERNAL

- Motor: 1650 m³/h extraction
- Aluminium die-cast motor housing
 - Absorption: 265W
 - Pressure: 480 Pa
 - Noise level 65 dBA
 - **Ducting 200mm**

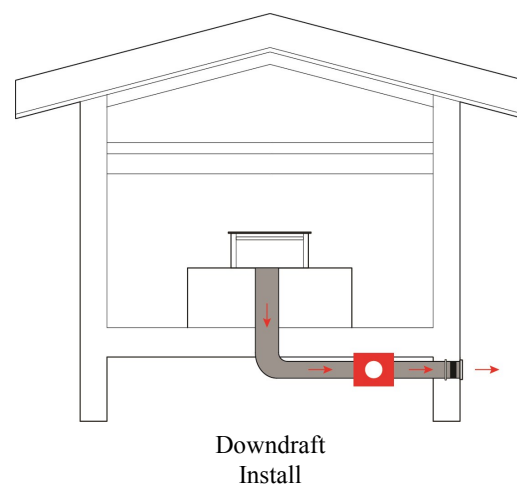
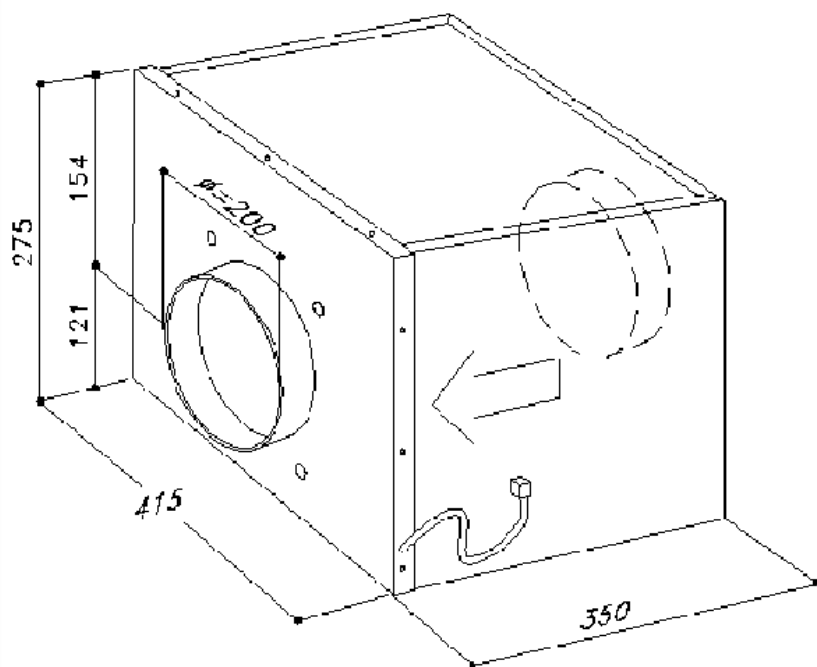
Distributed by Arisit Pty Ltd

40-44 Mark Anthony Drive, Dandenong South VIC 3175 Ph: 1300 762 219 Fax: 03 9768 0838 Website: www.arisit.com

SEM8 INTERNAL MOTOR



let's get
Sirius
with rangehood design



Technical Specifications:

MODEL	SEM 8
MOTOR	German Made
EXTRACTION	1650 m ³ /h extraction
DUCTING DIAMETER	Ducting 200mm
NOISE	65dBa
PRODUCT DIMENSIONS	WIDTH 350 HEIGHT 275 DEPTH 415

WARNING: technical specifications and product sizes can be varied by the manufacturer, without notice. Cut outs for appliances should only be by physical product measurements. The above information is indicative only.

Distributed by Arisit Pty Ltd

40-44 Mark Anthony Drive, Dandenong South VIC 3175 Ph: 1300 762 219 Fax: 03 9768 0838 Website: www.arisit.com