

SIL EM23 900

90CM ISLAND RANGEHOOD



let's get
Sirius
with rangehood design



SIL EM23 900

Features and Benefits:

DESIGNER CANOPY RANGE	Sleek and Contemporary Design with superior power and performance
LED STRIP LIGHTING	Energy efficient with Better illumination of cooking area and a Longer life span than standard globes. Modern aesthetic Look
10MM COMMERCIAL STAINLESS STEEL BAFFLE FILTERS	Commercial design, Dishwasher safe, Designed for greater air movement for maximum performance, Easy to fit and remove, Lifetime filters: lasts the life of the hood
INDUCTION COUNTDOWN CONTROL	10 minute auto function used at the end of cooking to reduce condensation build up common to induction cooking. 'C' shaped baffles eliminates moisture dripping onto cooking surface
SEM MOTOR OPTIONS	SEM7 or SEM8 option for ultra quiet operation
CLEAN FILTER INDICATORS	Takes the guessing game out of maintaining your hood
MADE IN ITALY	Units are designed specifically for the Australian market and manufactured in Italy by dedicated boutique specialist manufacturer

Distributed by Arisit Pty Ltd

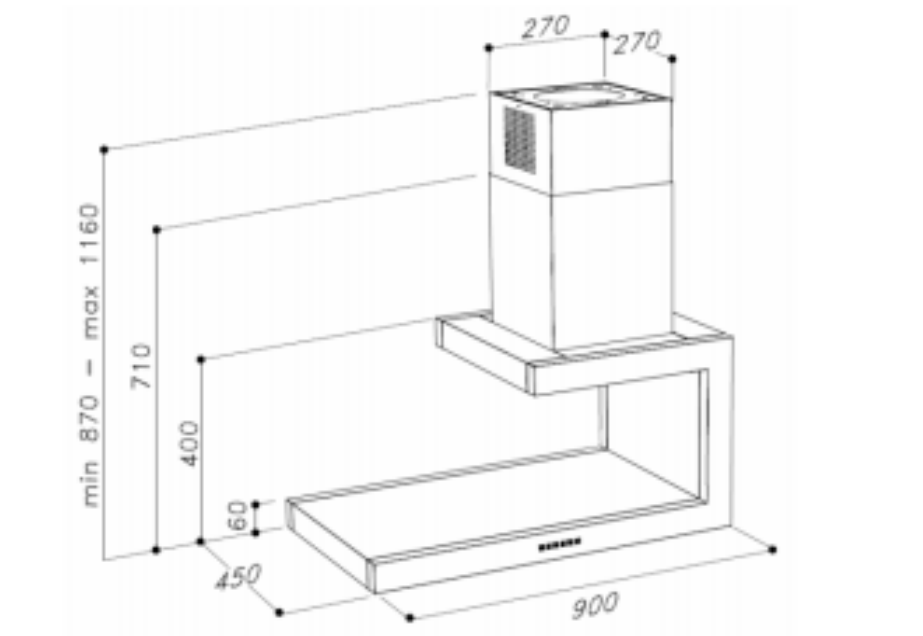
40-44 Mark Anthony Drive, Dandenong South VIC 3175 Ph: 1300 762 219 Fax: 03 9768 0838 Website: www.arisit.com

SIL EM23 900

90CM ISLAND RANGEHOOD



let's get
Sirius
with rangehood design



Technical Specifications:

MODEL	SIL EM23 900
CONTROL PANEL	ELECTRONIC CONTROL
MOTOR	SEM 7 SEM 8
EXTRACTION	2300M/3H 1650M/H
DUCTING DIAMETER	200MM
LIGHTS	2 X 6W LED STRIP LIGHTING
FILTER	10MM STAINLESS STEEL BAFFLE
ELECTRICAL REQUIREMENT	10A
PRODUCT DIMENSIONS	900 X 450 X 870 –1160

WARNING: technical specifications and product sizes can be varied by the manufacturer, without notice. Cut outs for appliances should only be by physical product measurements. The above information is indicative only.

Distributed by Arisit Pty Ltd

40-44 Mark Anthony Drive, Dandenong South VIC 3175 Ph: 1300 762 219 Fax: 03 9768 0838 Website: www.arisit.com