

# SIL EM490X

## 90CM ISLAND CANOPY HOOD



let's get  
**Sirius**  
with rangehood design



## SIL EM490X

### Features and Benefits:

ISLAND CANOPY DESIGN	Classic contemporary look. Stylish and practical addition to any kitchen.
HALOGEN LIGHTS	Energy efficient, Better illumination of cooking area, Longer life span than standard globes, Modern aesthetic
10MM COMMERCIAL STAINLESS STEEL BAFFLE FILTERS	Commercial design, Dishwasher safe, Designed for greatest air movement for maximum performance, Easy to fit and remove,  Lifetime filters: last the life of the hood
OFF BOARD MOTOR	Locating the motor away from the hood minimises noise in the kitchen up to 95% while still achieving maximum extraction, Motors can be installed up to 7 meters away with both indoor and external motors available making these the most versatile units on the market, no additional power required as motor is powered by a cable from the hood
INDUCTION COUNTDOWN CONTROL	10 minute auto function used at the end of cooking to reduce condensation build up common to induction cooking. 'C' shaped baffles eliminates moisture dripping onto cooking surface
LARGER DUCTING DIAMETER	Greater extraction and lower dB rating due to less air flow restriction
CLEAN FILTER INDICATOR	Takes the guessing game out of maintaining your hood
MADE IN ITALY – German Made Motor	Units are designed specifically for the Australian market and manufactured in Italy by dedicated boutique specialist manufacturer

**Distributed by Arisit Pty Ltd**

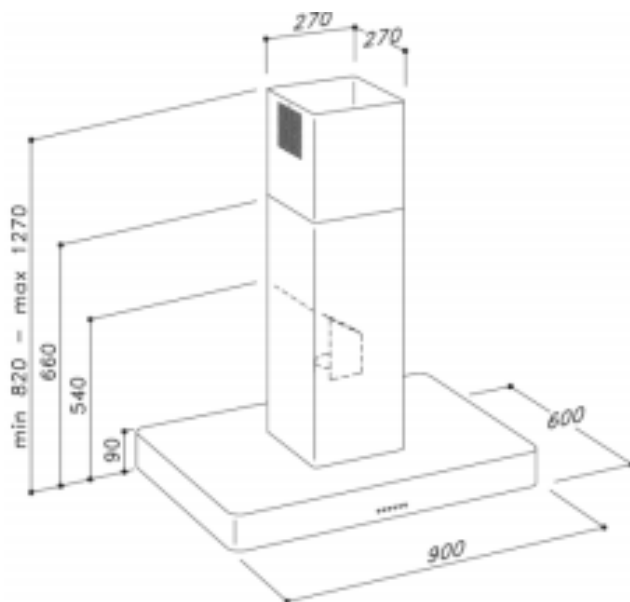
40-44 Mark Anthony Drive, Dandenong South VIC 3175 Ph: 1300 762 219 Fax: 03 9768 0838 Website: [www.arisit.com](http://www.arisit.com)

# SIL EM490X

## 90CM ISLAND CANOPY HOOD



let's get  
**Sirius**  
with rangehood design



### Technical Specifications:

<b>MODEL</b>	SIL EM490X
<b>CONTROL PANEL</b>	ELECTRONIC CONTROL
<b>MOTOR</b>	SEM1 OR SEM 2
<b>EXTRACTION</b>	1200M/3H 1200M/3H
<b>DUCTING DIAMETER</b>	150MM
<b>LIGHTS</b>	2 X 20W HALOGEN
<b>FILTER</b>	10MM STAINLESS STEEL BAFFLE
<b>ELECTRICAL REQUIREMENT</b>	10A
<b>PRODUCT DIMENSIONS</b>	900 x 600 x 820 - 1270

WARNING: technical specifications and product sizes can be varied by the manufacturer, without notice. Cut outs for appliances should only be by physical product measurements. The above information is indicative only.

**Distributed by Arisit Pty Ltd**

40-44 Mark Anthony Drive, Dandenong South VIC 3175 Ph: 1300 762 219 Fax: 03 9768 0838 Website: [www.arisit.com](http://www.arisit.com)