

SILT 21B

ISLAND PENDANT RE-CIRCULATING HOOD



let's get
Sirius
with rangehood design



SILT 21 B—BLACK FINISH

Features and Benefits:

DESIGNER CANOPY RANGE	Sleek and Contemporary Design with superior power and performance
LED LIGHTING	Energy efficient with Better illumination of cooking area and a Longer life span than standard globes. Modern aesthetic Look
ALUMINIUM INTERNAL FILTER	Dishwasher safe, Designed for greatest air movement for maximum performance, Easy to fit and remove.
INDUCTION COUNTDOWN CONTROL	10 minute auto function used at the end of cooking to reduce condensation build up common to induction cooking.
EBM MOTOR OPTIONS	Single Aluminium EBM motor
MADE IN ITALY	Units are designed specifically for the Australian market and manufactured in Italy by dedicated boutique specialist manufacturer

Distributed by Arisit Pty Ltd

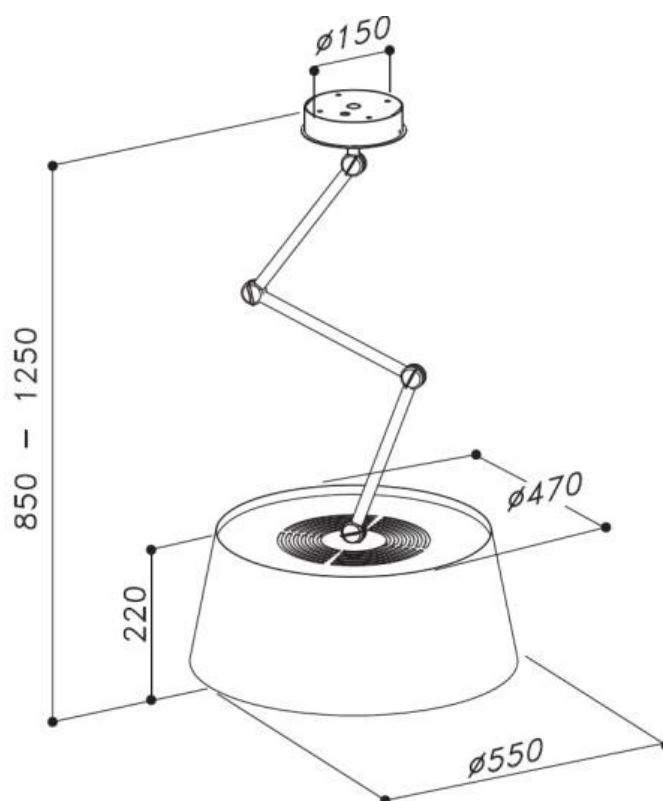
40-44 Mark Anthony Drive, Dandenong South VIC 3175 Ph: 1300 762 219 Fax: 03 9768 0838 Website: www.arisit.com

SILT 21B

ISLAND PENDANT RE-CIRCULATING HOOD



let's get
Sirius
with rangehood design



Technical Specifications:

MODEL	SILT 21B—BLK
CONTROL PANEL	REMOTE CONTROL
MOTOR	SINGLE ALUMINIUM EBM
EXTRACTION	600M/3H
DUCTING DIAMETER	N/A
LIGHTS	4 X 1W LED
FILTER	HYBRID ALUMINIUM FILTER
ELECTRICAL REQUIREMENT	10A
PRODUCT DIMENSIONS	550 x 220 x 850 - 1250
PRODUCT WEIGHT	13KG

WARNING: technical specifications and product sizes can be varied by the manufacturer, without notice. Cut outs for appliances should only be by physical product measurements. The above information is indicative only.

Distributed by Arisit Pty Ltd

40-44 Mark Anthony Drive, Dandenong South VIC 3175 Ph: 1300 762 219 Fax: 03 9768 0838 Website: www.arisit.com