

# SILT 21W ISLAND PENDANT RE-CIRCULATING HOOD



let's get  
**Sirius**  
with rangehood design



## SILT 21 B—WHITE FINISH

### Features and Benefits:

DESIGNER CANOPY RANGE	Sleek and Contemporary Design with superior power and performance
LED LIGHTING	Energy efficient with Better illumination of cooking area and a Longer life span than standard globes. Modern aesthetic Look
ALUMINIUM INTERNAL FILTER	Dishwasher safe, Designed for greatest air movement for maximum performance, Easy to fit and remove.
INDUCTION COUNTDOWN CONTROL	10 minute auto function used at the end of cooking to reduce condensation build up common to induction cooking.
EBM MOTOR OPTIONS	Single Aluminium EBM motor
MADE IN ITALY	Units are designed specifically for the Australian market and manufactured in Italy by dedicated boutique specialist manufacturer

**Distributed by Arisit Pty Ltd**

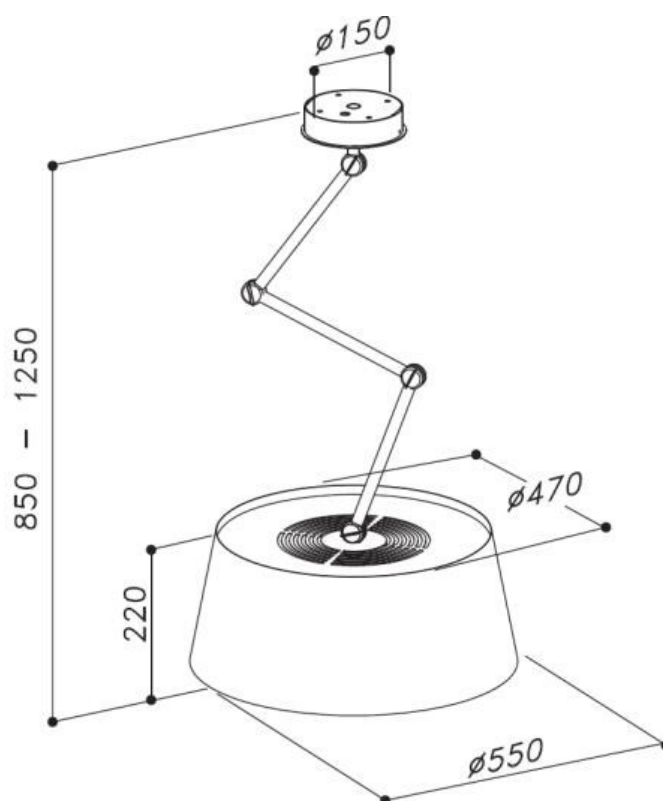
40-44 Mark Anthony Drive, Dandenong South VIC 3175 Ph: 1300 762 219 Fax: 03 9768 0838 Website: [www.arisit.com](http://www.arisit.com)

# SILT 21W

## ISLAND PENDANT RE-CIRCULATING HOOD



let's get  
**Sirius**  
with rangehood design



### Technical Specifications:

<b>MODEL</b>	SILT 21 W- WHITE
<b>CONTROL PANEL</b>	REMOTE CONTROL
<b>MOTOR</b>	SINGLE ALUMINIUM EBM
<b>EXTRACTION</b>	600M/3H
<b>DUCTING DIAMETER</b>	N/A
<b>LIGHTS</b>	4 X 1W LED
<b>FILTER</b>	HYBRID ALUMINIUM FILTER
<b>ELECTRICAL REQUIREMENT</b>	10A
<b>PRODUCT DIMENSIONS</b>	550 x 220 x 850 - 1250
<b>PRODUCT WEIGHT</b>	13KG

WARNING: technical specifications and product sizes can be varied by the manufacturer, without notice. Cut outs for appliances should only be by physical product measurements. The above information is indicative only.

**Distributed by Arisit Pty Ltd**

40-44 Mark Anthony Drive, Dandenong South VIC 3175 Ph: 1300 762 219 Fax: 03 9768 0838 Website: [www.arisit.com](http://www.arisit.com)