

*INFORMAZIONI COMMERCIALI PER I CONSUMATORI
COMMERCIAL INFORMATION FOR THE CONSUMER
INFORMATIONS COMMERCIALES POUR LE CLIENT
INFORMACIONES COMERCIALES PARA EL CLIENTE
HANDELSINFORMATIONEN FÜR DEN KUNDEN
COMMERCIELE INFORMATIES VOOR DE KLANT*

(GB) INSTALLATION, USE AND MAINTENANCE INSTRUCTION

SIL EM 23 900 – SIL 25

*INFORMAZIONI TECNICHE
TECHNICAL INFORMATION
INFORMATION TECHNIQUES
INFORMACIONES TÉCNICAS
TECHNISCHE INFORMATIONEN
TECHNISCHE INFORMATIES*

TYPE: FSLA – FSLB



EN



The symbol on the product or on its packaging indicates that this product may not be treated as household waste. Instead it shall be handed over to the applicable collection point for the recycling of electrical and electronic equipment. By ensuring this product is disposed of correctly, you will help prevent potential negative consequences for the environment and human health, which could otherwise be caused by inappropriate waste handling of this product. For more detailed information about recycling of this product, please contact your local city office, your household waste disposal service or the shop where you purchased the product. This appliance is marked according to the European directive 2002/96/EC on waste electrical and electronic equipment (WEEE).

CONTENTS

EN

Warnings	5
Uses.....	6
Installation	6
Working	7
Maintenance	7

WARNINGS

* The appliance is not intended for use by young children or infirm persons without supervision. Young children should be supervised to ensure they do not play with the appliance.


* The minimum distance between the cooktop surface and the lower part of the cooker hood shall be 650 mm.


* The air sucked can't be conveyed through or into a duct used to let out fumes from appliances fed by energy other than electric power (eg. centralized heating, radiators, water-heaters, etc.).

* To evacuate the air outlet, please comply with the pertaining rules given by competent authorities.

* Provide the room with an adequate aeration when a cooker hood and appliances fed by energy other than electric power (gas-, oil-, or coal- stoves, etc.) are used simultaneously.

The cooker hood, when evacuating the sucked air, could generate a negative pressure in the room- which can't exceed the limit of 0.04 mbar, in order to avoid the suck of exhausts deriving from the heat-source. Therefore the room should be provided with air-intakes to allow a constant flow of fresh air.

If the rating label in the cooker-hood shows the symbol , the appliance is built in class II° and it does not need any earth connection.

If the rating label in the cooker-hood does not show the symbol , the appliance is built in class I° and it needs the earth connection

*When performing the electrical connections on the appliance, please make sure that the m current-tap is provided with earth connection and that voltage values correspond to those indicated on the label placed inside the appliance itself.

* Please disconnect the appliance from power mains, before carrying out any cleaning or maintenance operation.

If the appliance is not equipped with a non-separable flexible cable and plug, or with another device ensuring omnipolar disconnection from the mains, with an opening distance between the contacts of at least 3 mm, then such disconnecting devices must be provided in the fixed installation.

If the appliance is equipped with a power cord and a plug, it shall be placed in such a way that the plug can be reached easily.

* The use of materials which can burst into flames (flambé) should be avoided in close proximity of the appliance. When frying, please pay particular attention to fire risk due to oil and grease. Being highly inflammable, fried oil is especially dangerous. Do not use uncovered electric grills.

In order to avoid possible fire risk, all instructions for grease-filter cleaning and for removing eventual grease deposits should be strictly followed.

USES

The appliance has been designed to work both in filtering and sucking mode.

* In the filtering version (fig. 1), the air and fumes conveyed by the appliance are purified by both a grease filter and an activated charcoal filter, and then re-circulated into the room through the side-grids of the chimney. When the appliance works in this mode, we recommend the use of an air deflector (Fig.1A) to be placed on the upper part of the pipe, allowing the air to be re-circulated into the room.

* In the sucking version (fig. 2), fumes are directly conveyed outside the building, through the top or rear air out-let. The use of a charcoal filter and air deflector is not necessary in this case.

INSTALLATION

Before installing the appliance, make sure that none of the parts is damaged in any way. In case of damaged parts, contact your retailer and do not proceed with installation.

Read all of the following instructions carefully before installing the appliance:

- Use an air outlet pipe of the shortest possible length.
- Limit the number of pipe elbows.
- Use a material approved by standards and regulations.
- Avoid any sudden changes in the pipe section recommended constant diameter:
 - SIL 23: Ø 150 mm or equal surface area.
 - SIL 25: Ø 200 mm or equal surface area.
- The manufacturer shall not respond for air capacity or noise problems due to non-compliance with above mentioned instructions, and no warranty shall be given.

Attention: at least two people are needed to perform the installation.

FOR SIL 23 MODEL ONLY:

ATTENTION: The air outlet of the extraction motor on all models does not coincide with the central axis of the cooker hood.

Before fixing the hood, place the electric feeding properly into the ornamental pipe and place a hole for air evacuation in case of a sucking version.

Suction model

Place the upper plate (Fig.3 A) on the ceiling. Drill 4 holes, 8 mm each, just next to the slots.

Insert the plastic dowels into the holes (Fig.3 B) and screw up the plate on the ceiling (Fig. 3 C). Then fasten the lower structure (Fig. 4 E) on the hood by making its holes and the metric-thread screws welded on the fan support coincide (Fig.4 E).

Insert the washers and nuts provided and screw with an appropriate tool.

Connect the drainpipe to the power unit nozzle and fix securely with a hose clamp.

Insert the upper structure (Fig. 4 F) into the lowest one and adjust its height as required by matching it with the cooking top's minimum height 650mm. Tighten the two structures securely with the screws provided (Fig. 4 F).

Insert the two extension tubes from above the two structures by making them come down to the appropriate hood seat. Lift the hood together with the structure and the extension tubes to make the four springs hook to the slots. Then tighten the two elements securely with the safety screws (Fig. 5) and connect the hood tube to the drain hole.

Make the electrical connections.

Lift the upper tube up to the ceiling and insert the two self-tapping screws (Fig. 6).

Filtering model (FOR SIL23 MODEL ONLY)

Place the upper plate (Fig.3 A) on the ceiling.

Drill 4 holes, 8 mm each, just next to the slots. Insert the plastic dowels into the holes (Fig.3 B).

Fix the baffle (Fig.3 C) to the upper bracket (Fig.7 B) with the four selftapping screws provided (Fig. 7 A).

Screw up the plate together with the baffle. Then fasten the lower structure (Fig. 4 E) on the hood by making its holes and the metric thread screws welded on the fan support coincide. Insert the washers and nuts provided (Fig. 4 E) and screw with an appropriate tool.

Connect the drainpipe to the power unit nozzle and fix securely with a hose clamp. Insert the upper structure (Fig. 4 F) into the lowest one and adjust its height as required by matching it with the cooking top's minimum height. Tighten the two structures securely with the screws provided (Fig. 4 F).

Insert the two extension tubes from above the two structures by making them come down to the appropriate hood seat.

Lift the hood together with the structure and the extension tubes to make the four springs hook to the slots.

Then tighten the two elements securely with the safety screws (Fig.5) and connect the hood tube to the baffle's lower hole.

Make the electrical connections.

Lift the upper tube (Fig. 6) up to the ceiling and insert the two self-tapping screws (Fig. 6).

WORKING

(Fig.8)

A: Light switch on/off

B: Motor switch on/off (1st rate level)

C: 2nd rate level switch

D: 3rd rate level switch

E: 4th rate level switch

F: 10 - minutes timer

MAINTENANCE

An accurate maintenance guarantees good functioning and long-lasting performance.

* Particular care is due to the grease filter panel. It can be removed by pushing its special handle toward the back-side of the cooker hood and turning the filter downwards so to unfasten it from its slot .

To insert the filter just perform the opposite operation.

After 30 hours working, the push button control panel will signal the saturation of the grease filter by lighting all the buttons. Press the timer button to reset .

The grease filter needs cleaning by regular hand-washing or in dishwasher every two months at least or depending on its use.

* In case the appliance is used in its filtering version, the active coal filter needs to be periodically replaced.

The charcoal filter is removed by removing the grease filter first, following the instructions above, then by pulling its special plastic tongue until it is released from its seat.

The charcoal filter is inserted by following the reverse procedure.

To clean the appliance itself tepid water and neutral detergent are recommended, while abrasive products should be avoided.

The power cord shall be replaced by authorized personnel only.

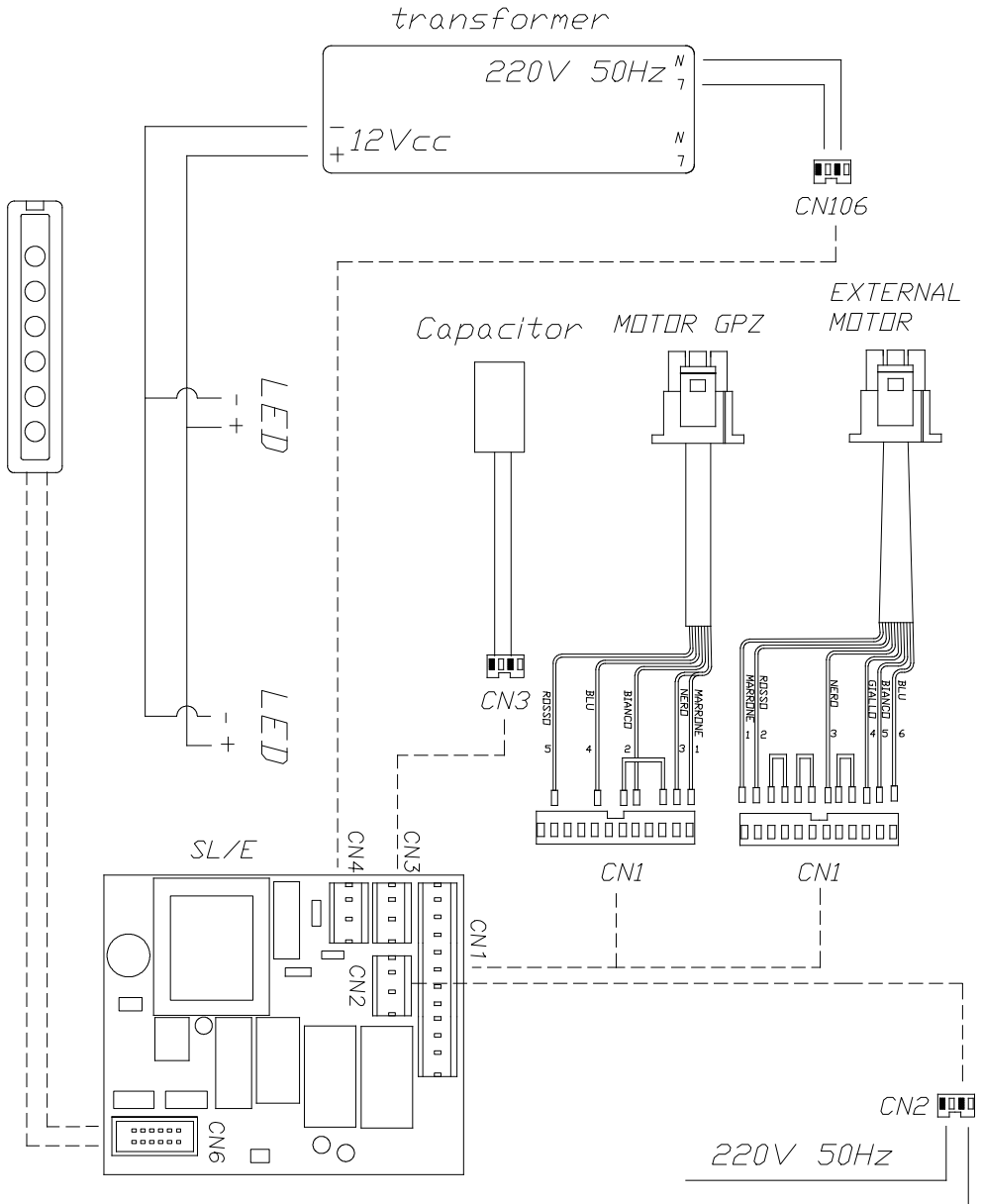
Substitution of the LED bar:

Using an appropriate tool, remove the LED bar from its seat, disconnect it electronically using the appropriate connector then substitute it with a LED bar with same characteristics.

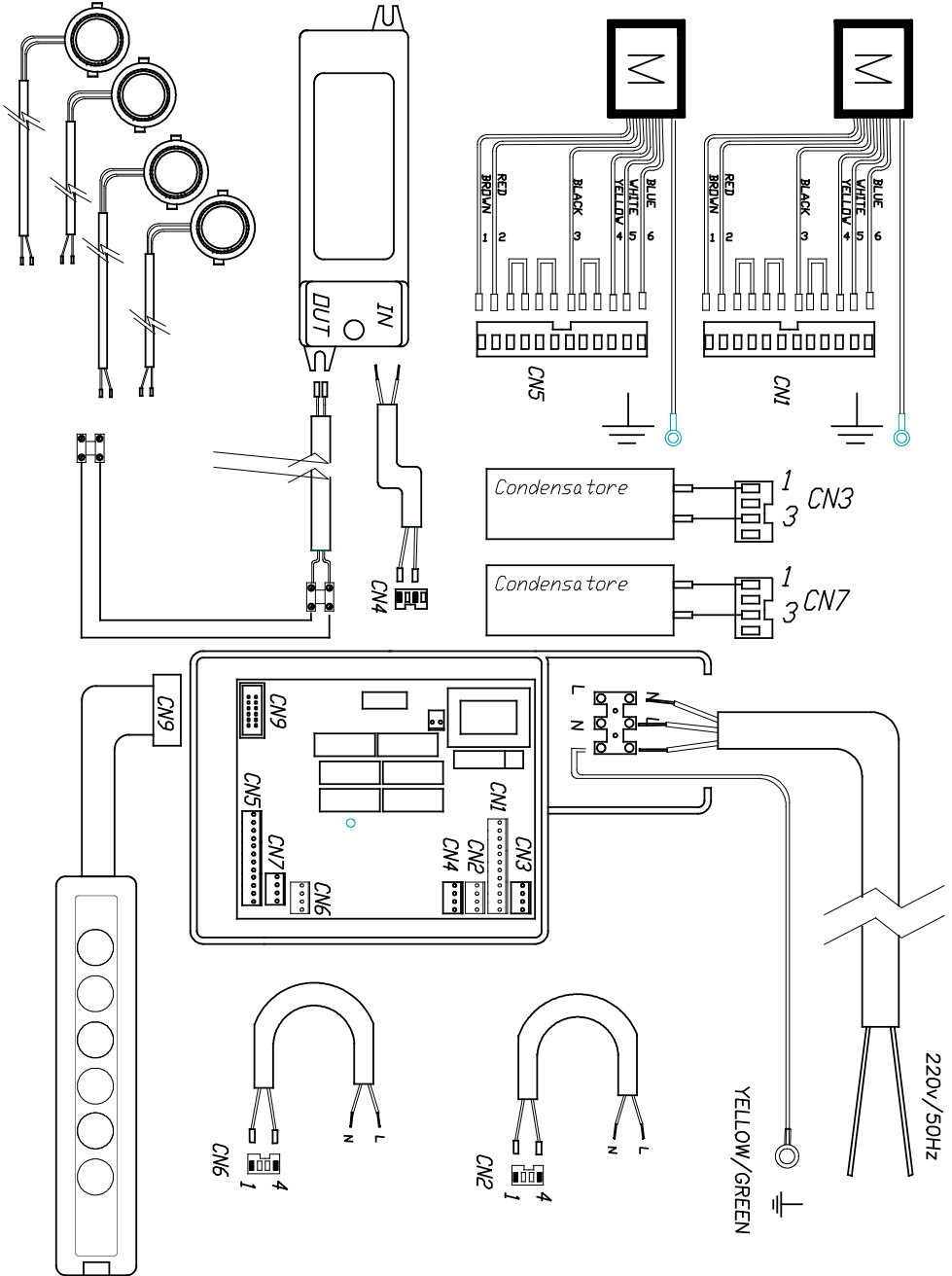
LED LAMP REPLACEMENT

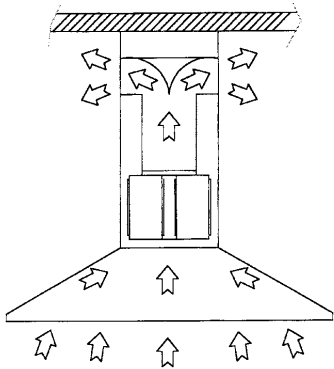
To replace the adjustable dichroic lamp, first, remove the supporting ring nut by claspings its adjacent edges (Fig.10), then remove the lamp and replace it with another one with the same characteristics.

SIL EM 23

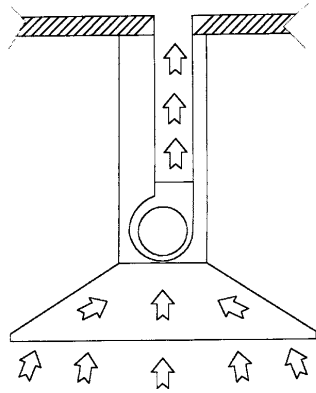


WIRING DIAGRAM SIL25

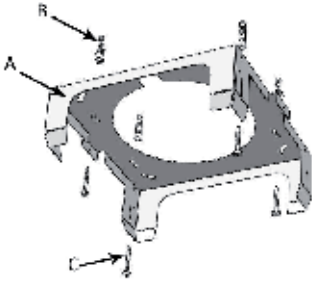




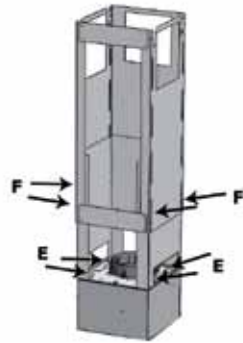
1



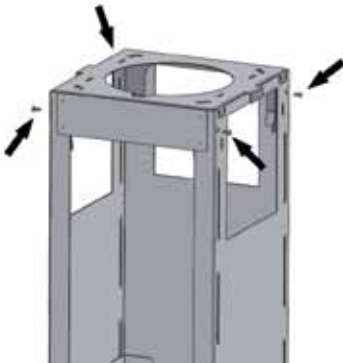
2



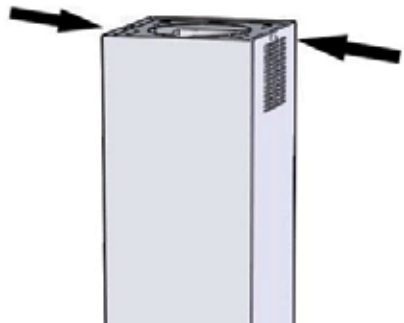
3



4



5



6

