

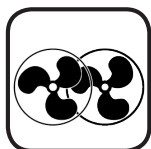
900mm CANOPY ONBOARD RANGEHOOD STAINLESS STEEL FINISH

SL80 FRESCO 900



MARINE GRADE: Sirius offers a selection of extraction motors and alfresco hoods in a marine-grade finish. If you live within 5km of the coast, your motor and hood will be functional for years to come with a marine grade rangehood.

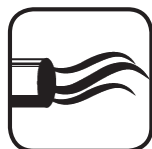
Rangehood type	Canopy/Alfresco
Control	Button
Speed settings	4
Ducting diameter	200mm
Extraction type	Onboard motor
Motor	Twin aluminium motor
Extraction	2000m ³ /h
Filter	25mm stainless steel baffle
Lighting	2 x adjustable LED
10 minute run-on timer	Yes
Electrical requirement	10A
Noise level	59dB
Dimensions (mm)	W900 x D700 x H690-1130
Warranty	3 years (6 years when Sirius ducting is used)



TWIN MOTOR



25mm BAFFLE FILTERS



2000m³/h AIRFLOW



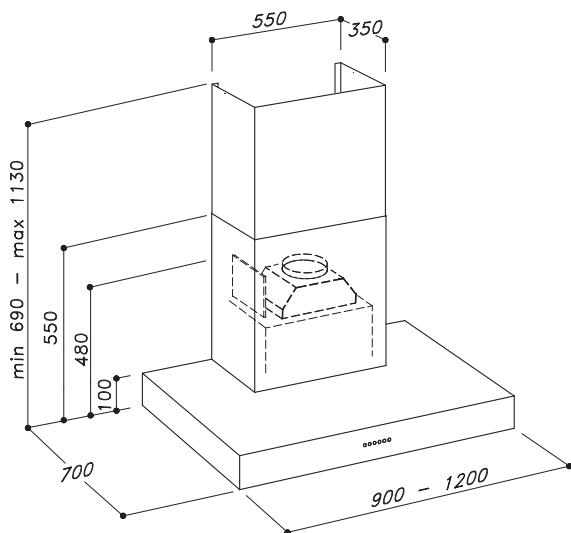
10 MINUTE RUN-ON TIMER



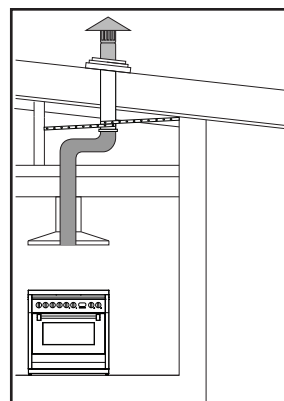
LED LIGHTING



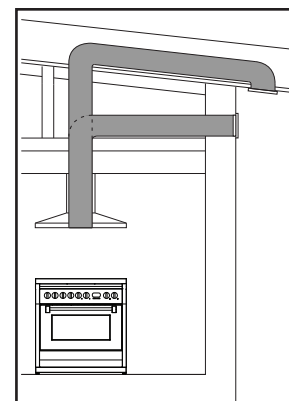
HANDCRAFTED IN ITALY



Ducting options



Roof ducted



Eave or Wall ducted

- Use semi-rigid or rigid ducting, not fully flexible foil ducting.
- Fewer bends means a quieter and more powerful extraction
- Extra 3 years warranty when Sirius ducting is used (total 6 years)
- See [support page](#) on Sirius website for installation videos and FAQs

WARNING: technical specifications and product sizes can be varied by the manufacturer, without notice. Cut outs for appliances should only be by physical product measurements. The above information is indicative only.

Distributed by Arisit Pty Ltd