

SL83 FRESCO 1200

120CM ALFRESCO HOOD



let's get
Sirius
with rangehood design



SL83 FRESCO 1200

Features and Benefits:

ALFRESCO DESIGN	Specially designed for outdoor under-cover use, custom built high power motors, minimises smoke and odours from entering adjoining living areas
LED LIGHTS—SWIVEL ADJUSTABLE	Energy efficient, Better illumination of cooking area, Longer life span than standard globes,
25MM COMMERCIAL STAINLESS STEEL BAFFLE FILTERS	Commercial design, Dishwasher safe, Designed for greatest air movement for maximum performance, Easy to fit and remove, Lifetime filters: last the life of the hood
LARGER DUCTING DIAMETER	200mm -Greater extraction and lower dB rating due to less air flow restriction , Can be rear vented into 2x 150mm
CLEAN FILTER INDICATOR	Takes the guessing game out of maintaining your hood
MADE IN ITALY	Units are designed specifically for the Australian market and manufactured in Italy by dedicated

Distributed by Arisit Pty Ltd

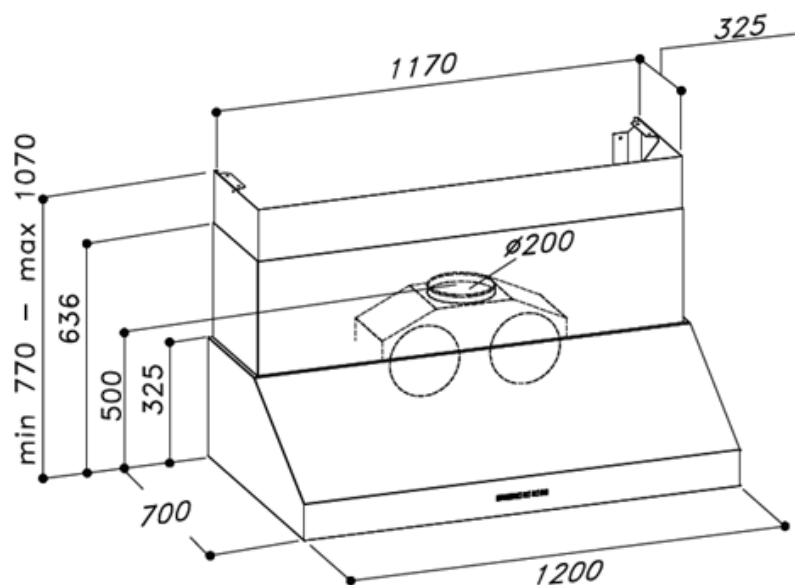
40-44 Mark Anthony Drive, Dandenong South VIC 3175 Ph: 1300 762 219 Fax: 03 9768 0838 Website: www.arisit.com

SL83 FRESCO 1200

120CM ALFRESCO HOOD



let's get
Sirius
with rangehood design



Technical Specifications:

MODEL	SL83 FRESCO 1200
CONTROL PANEL	ELECTRONIC CONTROL
MOTOR	TWIN ALUMINIUM EBM
EXTRACTION	2400 m ³ /h
DUCTING DIAMETER	200mm
LIGHTS	5 x ADJUSTABLE LED
FILTER	25mm COMMERCIAL STAINLESS STEEL BAFFLE
ELECTRICAL REQUIREMENT	10A
PRODUCT DIMENSIONS	1200 x 700 x 770-1070

WARNING: technical specifications and product sizes can be varied by the manufacturer, without notice. Cut outs for appliances should only be by physical product measurements. The above information is indicative only.

Distributed by Arisit Pty Ltd

40-44 Mark Anthony Drive, Dandenong South VIC 3175 Ph: 1300 762 219 Fax: 03 9768 0838 Website: www.arisit.com