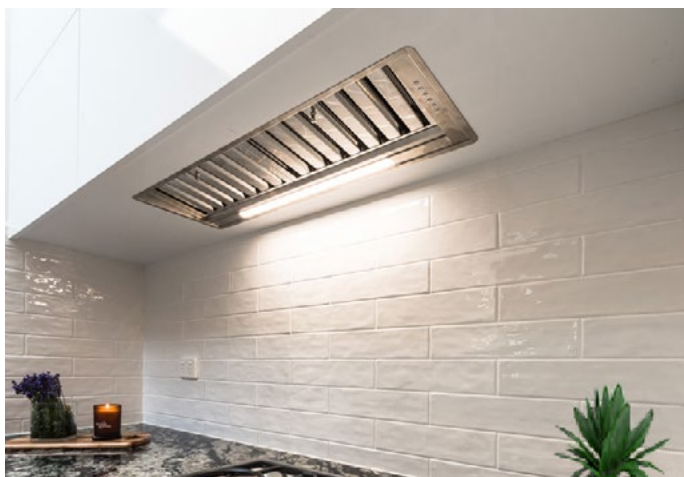


850mm ONBOARD UNDERMOUNT RANGEHOOD - SINGLE MOTOR

SL906-L 850



Rangehood type	Undermount
Control	Button
Speed settings	4
Ducting diameter	150mm
Extraction type	Onboard motor
Motor	Single aluminium motor
Extraction	1020m ³ /h
Filter	25mm stainless steel baffle
Lighting	6W LED strip
Induction Countdown Control	Yes
Electrical requirement	10A
Dimensions (mm)	W850 x D290 x H350
Weight	23kg
Cut-out dimensions (mm)	W830 x D265
Warranty	3 years (6 years when Sirius ducting is used)



SINGLE MOTOR



25mm BAFFLE FILTERS



1020m³/h AIRFLOW



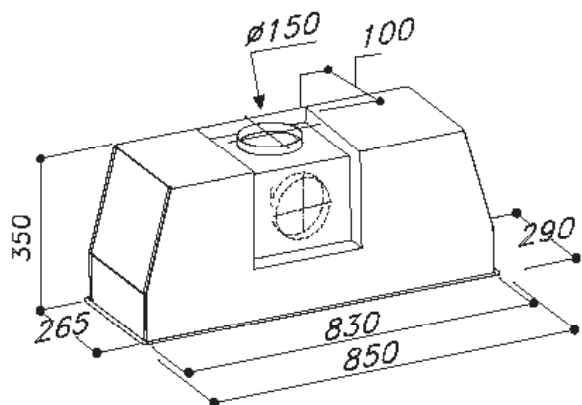
INDUCTION SAFE



LED LIGHTING

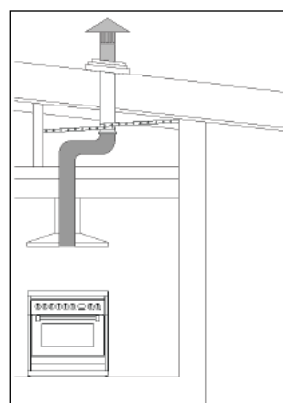


HANDCRAFTED IN ITALY

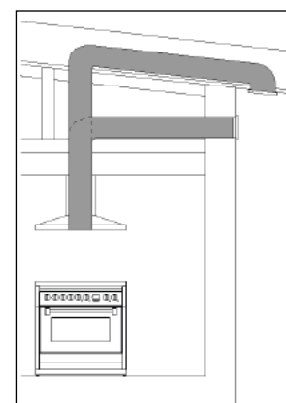


*Product dimension includes trim

Ducting options



Roof ducted



Eave or Wall ducted

- Use semi-rigid or rigid ducting, not fully flexible foil ducting.
- Fewer bends means a quieter and more powerful extraction.
- Extra 3 years warranty when Sirius ducting is used (total 6 years).
- See [support page](#) on Sirius website for installation videos and FAQs.

WARNING: technical specifications and product sizes can be varied by the manufacturer, without notice. Cut outs for appliances should only be by physical product measurements. The above information is indicative only.

Distributed by Arisit Pty Ltd

40-50 Mark Anthony Drive, Dandenong South VIC 3175

Ph: 1300 762 219

Fax: 03 9768 0838

Website: www.arisit.com

www.siriusbrand.com