



**Congratulations on your purchase!
Thank you for choosing a Sirius product.**

SL906 series & SL907 700

UNDERMOUNT RANGEHOOD INSTALLATION INSTRUCTIONS

SL906 L 520
SL906 L 850
SL906L EXCEL 850
SL906L EXCEL1000
SL906L EXCEL 1200
SL907 700

EAN #9351116000677
EAN #9351116000745
EAN #9351116000806
EAN #9351116000899
EAN #9351116002015
EAN #9351116000714





BEFORE YOU INSTALL – please read

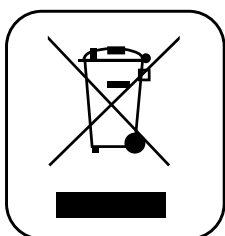
Sirius warranty covers only Sirius product. If you choose to install a non-Sirius branded accessory such as flexible ducting, Sirius will only warrant the hood and motor. If installation is found to be the cause of failure or issue then charges will apply for service and parts.

Flexible ducting is not permitted under any circumstances. Flexible ducting has been found to increase noise levels, increase vibration and reduce airflow. Sirius Semi-rigid or solid ducting can be used in lieu. There is a range available to suit any application.

Ducting available at www.siriusbrand.com

A reduction in the duct diameter from stated ducting size will void warranty.

If you are in doubt about the ducting, please contact Sirius on 1300 762 219 prior to installation



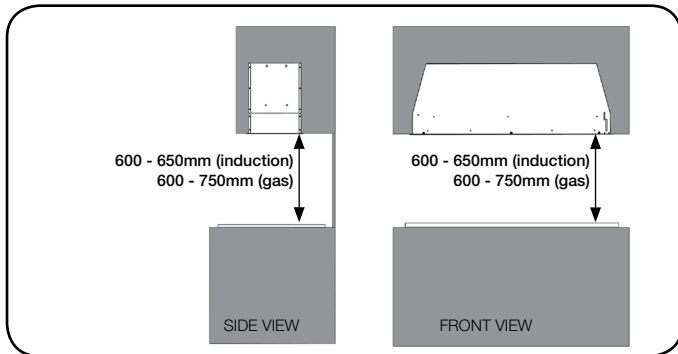
The symbol on the product or on its packaging indicates that this product may not be treated as house-hold waste. Instead it shall be handed over to the applicable collection point for the recycling of electrical and electronic equipment. By ensuring this product is disposed of correctly, you will help prevent potential negative consequences for the environment and human health, which could otherwise be caused by inappropriate waste handling of this product. For more detailed information about recycling of this product, please contact your local city office, your household waste disposal service or the shop where you purchased the product. This appliance is marked according to the European directive 2002/96/EC on waste electrical and electronic equipment (WEEE).



Min. 600mm - Max. 650mm for induction cooktops.


Min. 600mm - Max. 750mm gas cooktops.


If the rangehood is positioned above the max height recommended, warranty may be compromised as performance of the rangehood will be affected. Measurement is taken from the top of the trivets to the underside of the hood. (Fig. 1)



(Fig. 1)

- The air being drawn can't be conveyed through or into a duct used to let out fumes from appliances fed by energy other than electric power (eg. centralized heating, radiators, water heaters, etc.).
- Attention: remove any possible PVC film from the stainless steel, including the filters.
- To externally vent, please comply with the pertaining rules given by competent authorities.
- Provide the room with an adequate ventilation when a rangehood and appliances fed by energy other than electric power (gas, oil, or coal stoves, etc.) are used simultaneously. The rangehood, when evacuating the air, could generate a negative pressure in the room which can't exceed the limit of 0.04 mbar, in order to avoid the suck of exhausts deriving from the heat source. Therefore the room should be provided with air intakes to allow a constant flow of fresh air.

If the rating label in the rangehood shows the symbol , the appliance is built in class II° and it **does not need** any earth connection.

If the rating label in the rangehood does not show the symbol , the appliance is built in class I° and it **needs** the earth connection.

When performing the electrical connections on the appliance, please make sure that the current-tap is provided with earth connection and that voltage values correspond to those indicated on the label placed inside the appliance itself.

Before carrying out any cleaning or maintaining operations, the appliance needs to be switched off. If the appliance is not provided with a non-separable

flexible cable and plug, or with another device ensuring omnipolar disconnections from the grid, with an opening distance between the contacts of at least 3mm, then such disconnecting devices must be supplied within the fixed installation. If the fixed appliance is endowed with a supply cord and a plug, the appliance has to be put in a place where the plug can be reached easily.

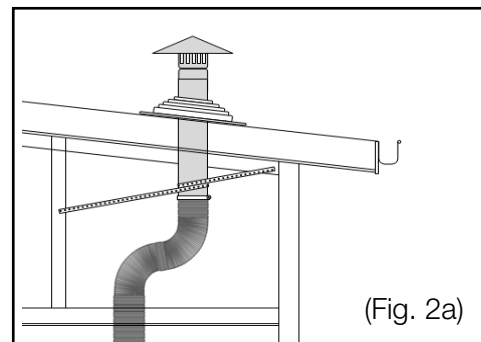
The use of materials which can burst into flames should be avoided in close proximity of the appliance. When frying, please pay particular attention to fire risk due to oil grease. Being highly flammable, fried oil is especially dangerous. Do not use uncovered electric grills. In order to avoid possible fire risk, all instructions for grease-filter cleaning and for removing eventual grease deposits should be strictly followed.

When ducting rangehood, options are as follows:

Roof vent - EASYROOF 150T/M EASYROOF 200T/M

*Kit includes roof flashing

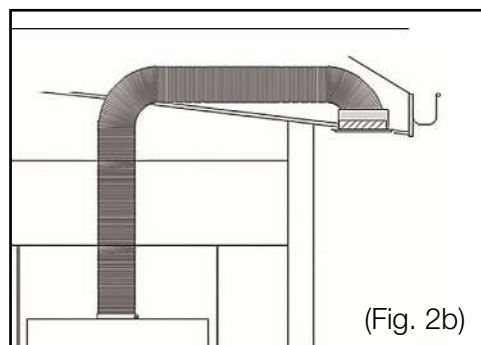
[Download installation guide](#)



(Fig. 2a)

Eave vent - EASYEAVE 150/200

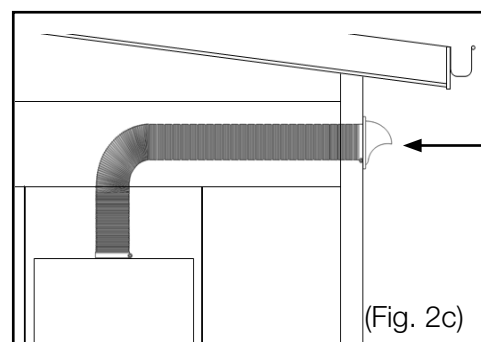
[Download installation guide](#)



(Fig. 2b)

Wall vent - EASYWALL 150/200

[Download installation guide](#)



(Fig. 2c)

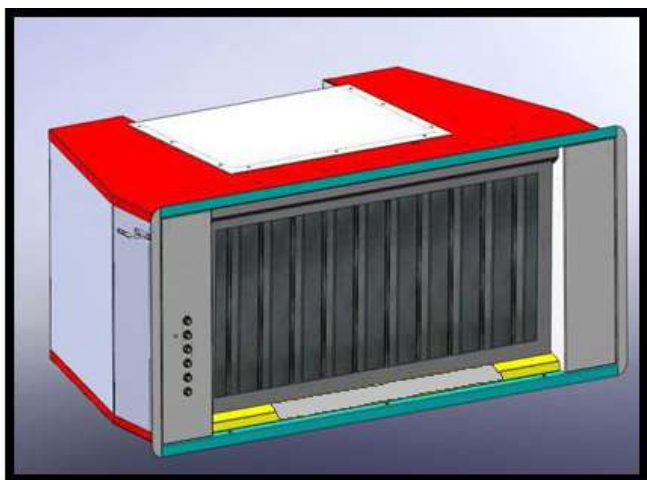
SL906-L series INSTALLATION - ONBOARD



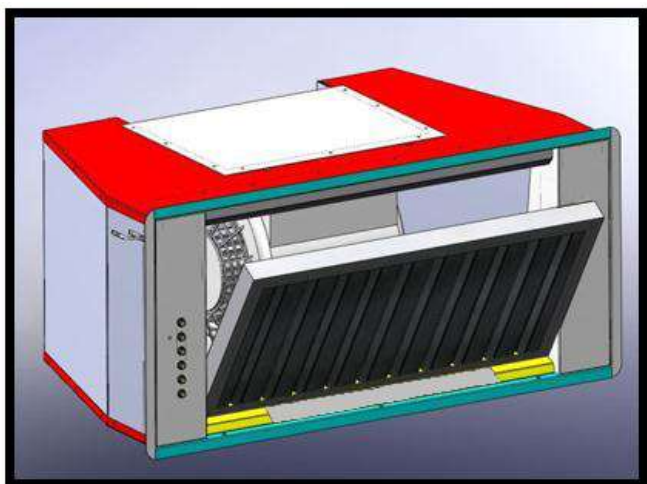
Before installing the appliance, make sure that none of the parts are damaged in any way. In case of damaged parts, contact your retailer and do not proceed with installation. Read all of the following instructions with care before installing the appliance.

- Use ducting within the min/max specifications
- Limit the number of ducting bends.
- Do not make any changes in ducting diameter (recommended constant diameter: Ø 150 mm / Ø 200 mm or equal surface area).

Before installing the appliance - in order not to damage the appliance itself - the metal grease filter should be removed. These filters could be removed by pushing the handles towards the back side of the rangehood and pulling it downwards to unfasten it from its slot. (Fig.3).



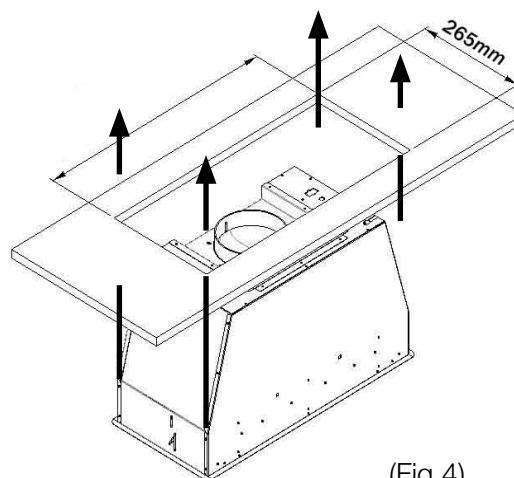
(Fig.3a)



(Fig.3b)

To install the appliance please respect the follow instructions:

- The appliance must be installed by qualified technicians, or where possible use a Sirius recommended installer. See siriusbrand.com. In order to avoid damage to the electronic parts of the appliance, please do not use additional screws.
- Essential precautions to respect before installing the appliance are the following:
To have made a cutout on the bottom of the cabinet which is suitable to hold the appliance in position (fig. 4):
SL906 L520 - 501 x 265mm
SL906 L850 - 835 x 265mm
SL906 L EXCEL 850 - 835 x 265mm
SL906 L EXCEL 1000 - 985 x 265mm
SL906 L EXCEL 1200 - 1100 x 265mm



(Fig.4)

1. Prepare the power supply - 240 volts.
 2. Prepare a hole for the exhaust - 160mm diameter for single motor & 210mm for for twin motor versions.
- Maximum length of ducting should not exceed 7 metres to motor.
 - (SEM 1 or SEM 8) Additional 5 metres from motor to atmosphere.
 - Do not use screws to fix the ducting to the rangehoods as they will prevent the movement of non-return valves.
 - Limit the number of elbows in the ducting, since each elbow reduces the duct efficiency by 1 metre. (i.e. if you use two 90° elbows, the length of ducting must not exceed 5 metres.)
 - Avoid abrupt direction changes.
 - Use 150mm constant diameter ducting for the whole length for the single motor, 200mm ducting for the twin motor model.
 - **The use of Sirius ducting will increase the warranty of the unit to 4 years.**

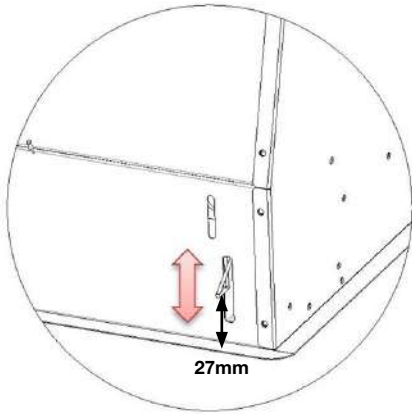


WARNING



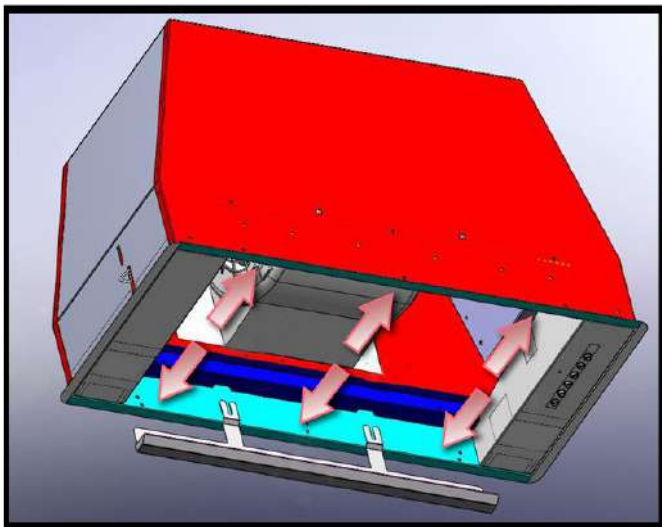
The rangehood is quite heavy, so two people will be needed for installation.

1. To install the appliance, adjust the position of the adjustable side-springs using the supplied screws (fig.5), according to the thickness of the board, in which the appliance will be fixed.



(Fig.5)

2. Insert the rangehood into the cutout in the cabinet until the stop click of the side-springs is heard and the rangehood is supported.
3. Insert the screws provided into the holes inside the rangehood (Fig.6) to fix it to cabinetry.



4. Insert the grease channel.
5. Insert the grease filter (Fig.3b)

(Fig.6)



CAUTION



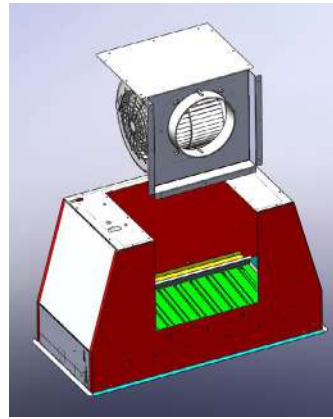
Before connecting any ducting to the motor, make sure the non-return valves - which are on the air outlet of the motor - can swing open.

External venting

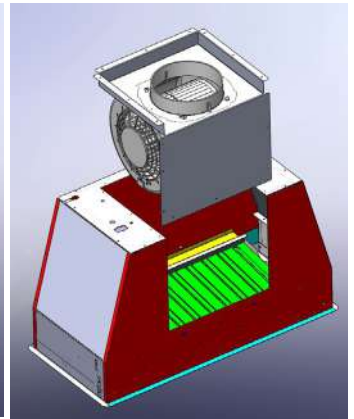
- Connect the flange to the exhaust hole with the appropriate ducting. Connect the rangehood with the electrical mains through the supply cord.

Rear vented version

- All the models with one motor can be rear vented; if the customer wants to use this option, it is necessary to remove the 18 screws from the motor group support. Then take the metal support with motor included out (fig.7a). Turn the motor to have the air outlet on the rear side (fig.7b) and fix the screws previously removed.



(Fig.7a)



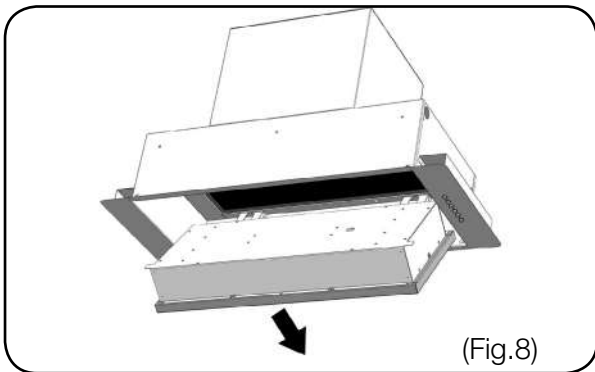
(Fig.7b)

SL907 700 INSTALLATION

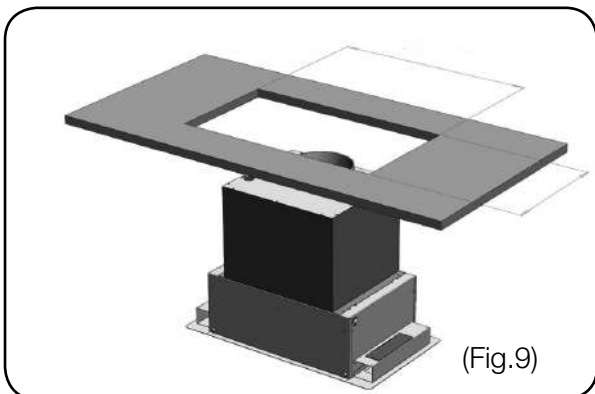


Before installing the appliance, make sure that none of the parts is damaged in any way. In case of damaged parts, contact your retailer and do not proceed with installation. Read all of the following instructions with care before installing the appliance.

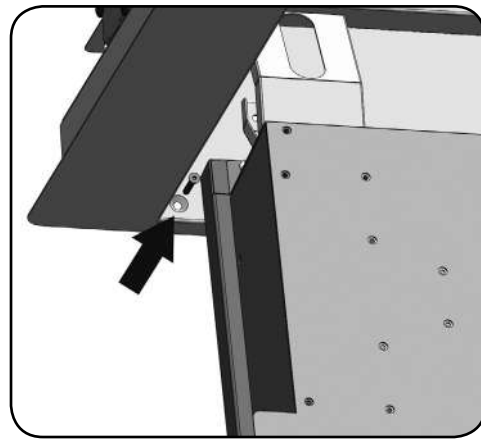
- Use an air outlet ducting within min/max specifications.
 - Limit the number of pipe bends. Use a material approved by standards and regulations.
 - Avoid any sudden changes in pipe section (recommended constant diameter: Ø 150 mm).
1. Before carrying out installation, please remove the grease filter in order to avoid possible damages to the appliance. Please follow the following steps to remove the metal grease filter: open the light panel first, by turning it downwards (fig.8), then remove the grease filter.



2. Make a hole on the surface of the following dimensions (fig.9):
SL907 700 - 270 x 680mm



3. Insert the SL907 unit, making sure the control panel is on the right, looking at the product from the front of the cabinetry.
4. Connect the electrical lead and connect the air outlet flange from the unit to a suitable exhausting duct.
5. Fix the unit by using the four screws provided and tighten them as shown in (fig.10).



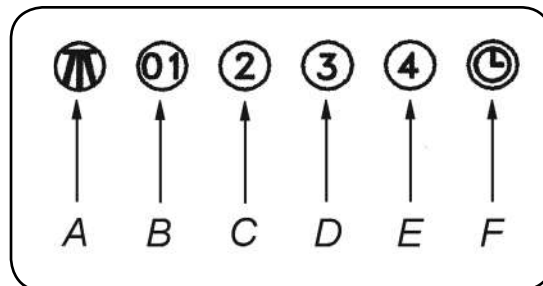
Insert the grease filter again and close the perimeter panel.

- **The use of Sirius ducting will increase the warranty of the unit to 4 years.**

OPERATION

SL906-L series - S907 700 (fig. 11)

- A: Light switch on/off
- B: Motor switch on speed 1/off - (low/simmer)
- C: Motor switch on speed 2 - (general cooking)
- D: Motor switch on speed 3 - (high power)
- E: Motor switch on speed 4 - (booster)
- F: 10 minute shut-off timer



MAINTENANCE

- Accurate maintenance guarantees good functioning and long-lasting performance.
- Particular care is due to the grease filter panel. It can be removed by pushing its handle toward the back side of the rangehood and pulling the filter downwards so to unfasten it from its slot (Fig.3). To insert the filter just perform the opposite operation.
- After 30 hours of operation, the push button control panel will flash, signaling the filters are due for cleaning. Press the timer button to reset. ⌚ The grease filter needs cleaning by regular handwashing or in dishwashers every two months at least, depending on its use.
- To clean the appliance itself, water and detergent are recommended, while abrasive products should be avoided. For steel appliances specialized detergents are recommended (please follow the instructions indicated on the product itself to obtain the desired results).



To remove the rangehood from the cabinet, remove the fixing screws (fig. 6) using a screwdriver, and remove the grease filters (fig.3).

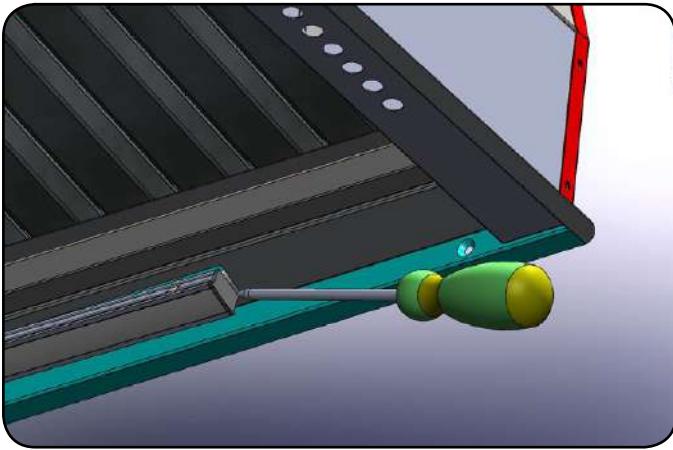
- Push down on the small handle of the springs, which are inside the rangehood, with the necessary strength to unhook the hood from the cabinet.



If the supply cord is damaged, it must be replaced by the manufacturer or its service agent or a similarly qualified person in order to avoid a hazard.

REPLACING THE LED LIGHT ON THE SL 906-L

1. Before replacing the LED light, switch off the rangehood, then - by using appropriate tools - remove the LED light from its slot (fig.12).
 2. Take out the LED light from its connector and replace.
- To find the correct LED light, please contact Sirius directly on our toll-free number: **1300 762 216**.

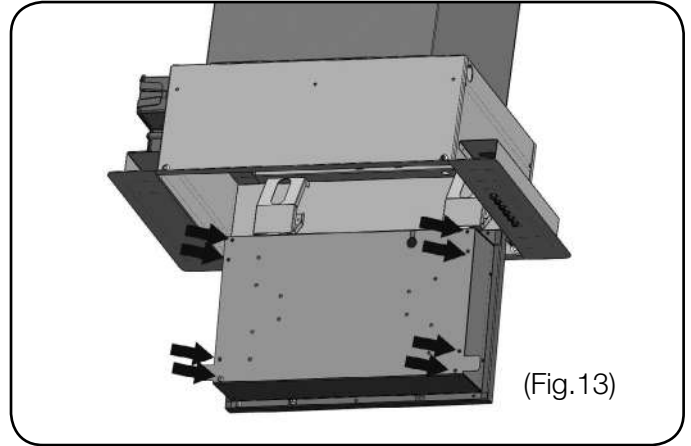


(Fig.12)

- NB: light is easier to remove from centre of LED globe. Use a small, flathead screwdriver (pictured), palette knife or blunt butter knife.

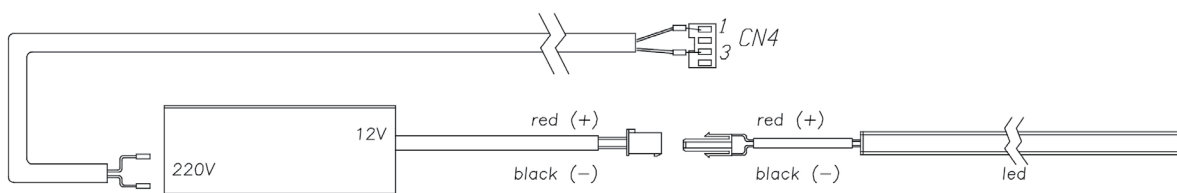
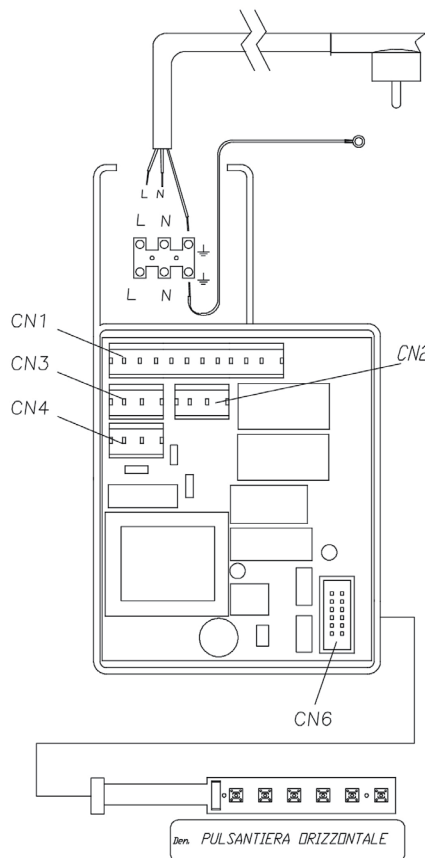
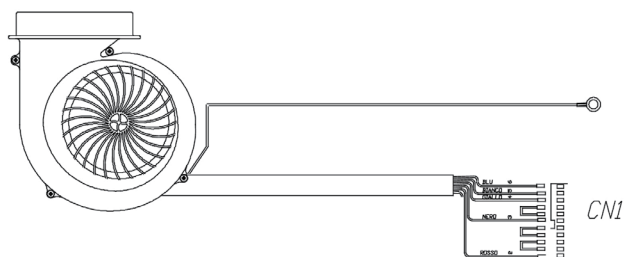
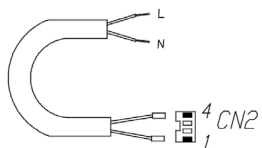
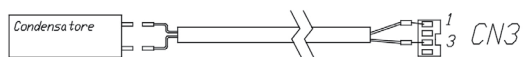
REPLACING THE SL 907 700 FLUORESCENT LAMP

1. To replace the fluorescent lamps of SL907 model, you need to open the perimeter panel, by rotating it as shown in (fig.7).
2. Remove the panel fixing screws (fig.10), paying special care in holding it during this step, then remove the lamps and replace the damaged one (fig. 13).

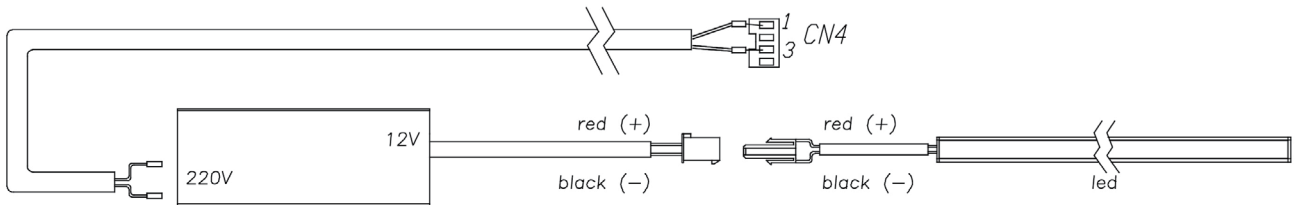
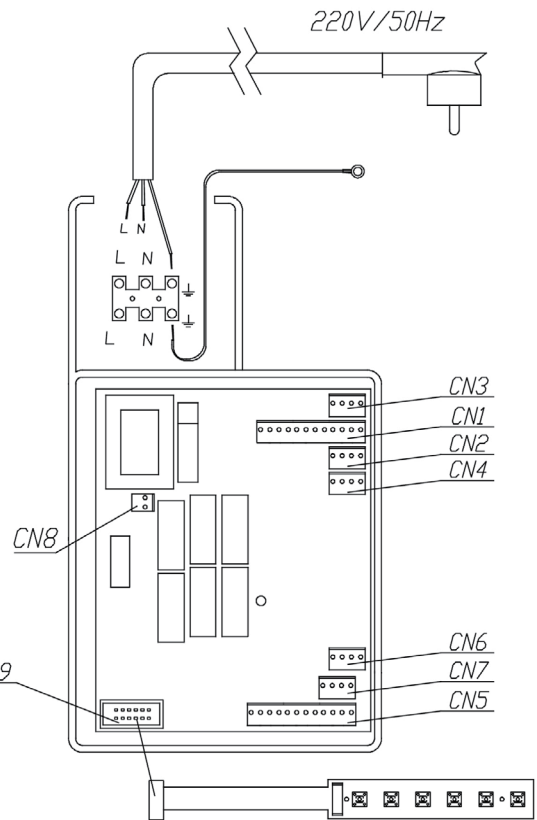
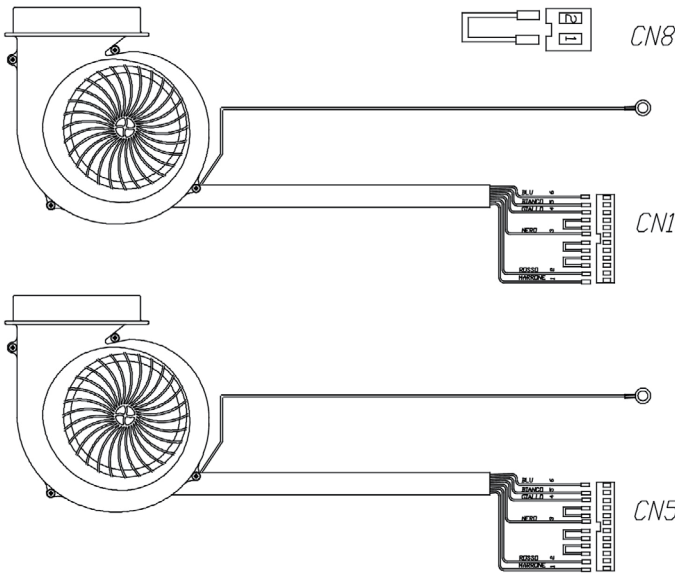
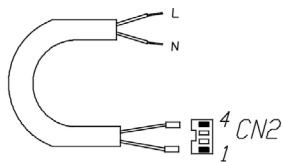
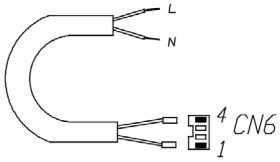
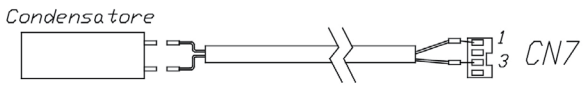
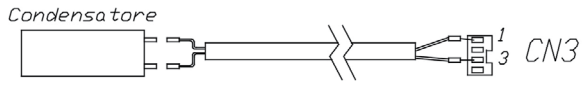


3. Insert the panel again.
- If the supply cord is damaged, it must be replaced by the manufacturer or its service agent or a similarly qualified person in order to avoid a hazard.

WIRING DIAGRAM SL906-L (1 motor)



WIRING DIAGRAM SL906-L (2 motor)



WIRING DIAGRAM SL907 700

