

SL907 700

70CM UNDERMOUNT HOOD



let's get
Sirius
with rangehood design



SL 907 700

Features and Benefits:

CLASSIC UNDERMOUNT DESIGN	Classic contemporary look. Stylish and practical addition to any kitchen.
NEON AMBIENT LIGHTING	Specifically designed for areas lacking in natural light, Energy efficient, Better illumination of cooking area, Longer life span than standard globes, Modern aesthetic
HIDDEN ALUMINIUM FILTERS	Aesthetically pleasing, Dishwasher safe, Easy to remove, Effective in the removal of odours, Designed to trap grease, Long lasting
INDUCTION COUNTDOWN CONTROL	10 minute auto function used at the end of cooking to reduce condensation build up common to induction cooking. 'C' shaped baffles eliminates moisture dripping onto cooking surface
LARGER DUCTING DIAMETER	Greater extraction and lower dB rating due to less air flow restriction
CLEAN FILTER INDICATOR	Takes the guessing game out of maintaining your hood
MADE IN ITALY-	German Made Motor Units are designed specifically for the Australian market and

Distributed by Arisit Pty Ltd

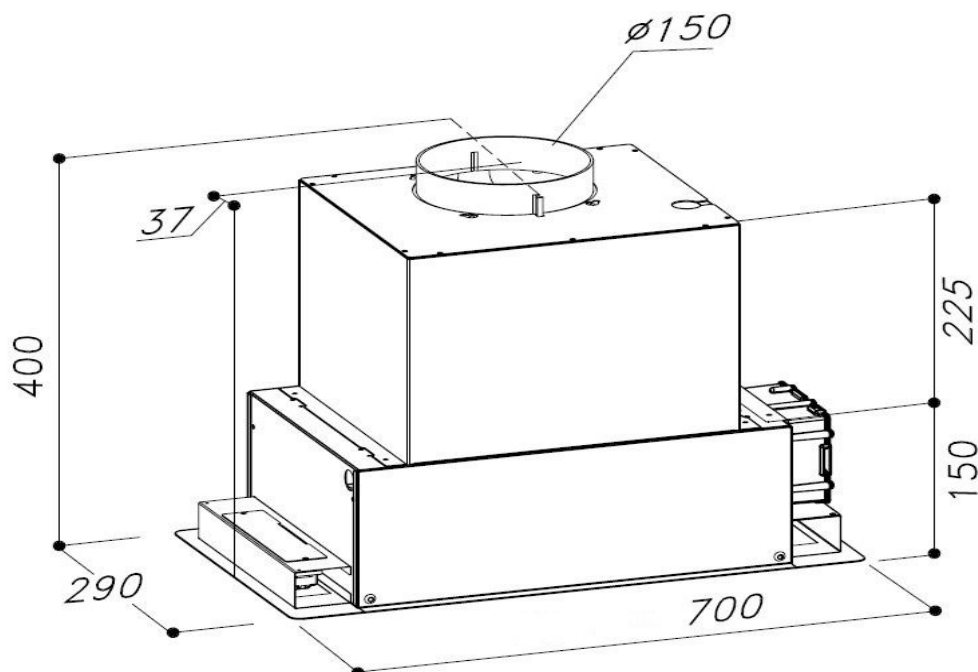
40-44 Mark Anthony Drive, Dandenong South VIC 3175 Ph: 1300 762 219 Fax: 03 9768 0838 Website: www.arisit.com

SL907 700

70CM UNDERMOUNT HOOD



let's get
Sirius
with rangehood design



Technical Specifications:

MODEL	SL907 700
CONTROL PANEL	ELECTRONIC CONTROL
MOTOR	SINGLE ALUMINIUM EBM
EXTRACTION	1020m/3h
DUCTING DIAMETER	150MM
LIGHTS	2 x 15W SOLID NEON LIGHT PANEL
FILTER	HIDDEN ALUMINIUM FILTER
ELECTRICAL REQUIREMENT	10A
PRODUCT DIMENSIONS	(w) 700mm X (d) 290mm X (h) 400 mm
CUT OUT DIMENSIONS	(w) 680mm X (d) 270mm

WARNING: technical specifications and product sizes can be varied by the manufacturer, without notice. Cut outs for appliances should only be by physical product measurements. The above information is indicative only.

Distributed by Arisit Pty Ltd

40-44 Mark Anthony Drive, Dandenong South VIC 3175 Ph: 1300 762 219 Fax: 03 9768 0838 Website: www.arisit.com