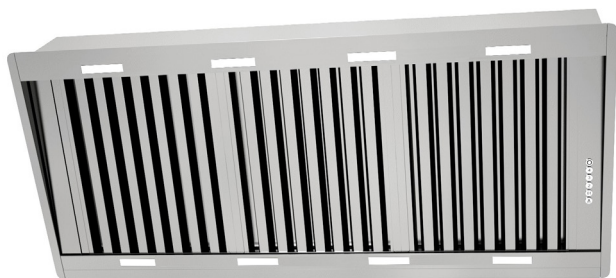
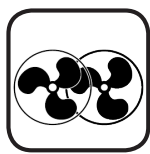


1200mm UNDERMOUNT RANGEHOOD

SL920 FRESCO 1200



Rangehood type	Alfresco/Undermount/Island
Control	Button
Speed settings	4
Ducting diameter	200mm or 2 x 150mm
Extraction type	Onboard motor
Motor	Twin aluminium motor
Extraction	2000m ³ /h
Filter	25mm stainless steel baffle
Lighting	8 x 2.5W LED lights
Induction Countdown Control	Yes
Electrical requirement	10A
Dimensions (mm)	W1200 x D540 x H335
Warranty	3 years (6 years when Sirius ducting is used)



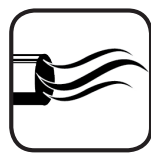
TWIN ONBOARD MOTOR



25mm STAINLESS STEEL FILTERS



INDUCTION SAFE



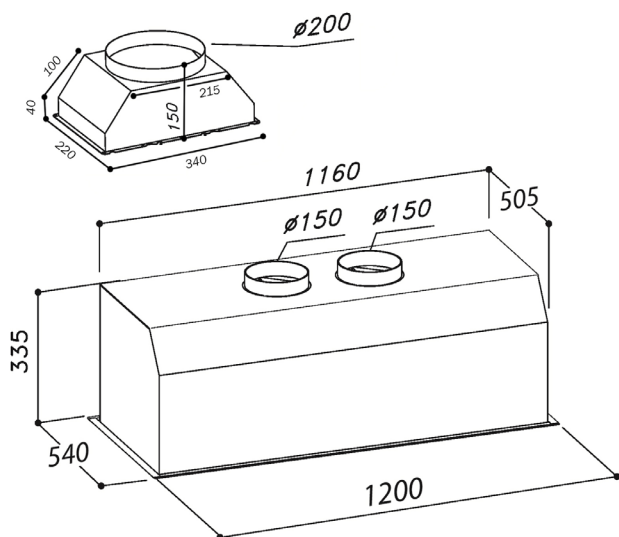
2000m³/h AIRFLOW



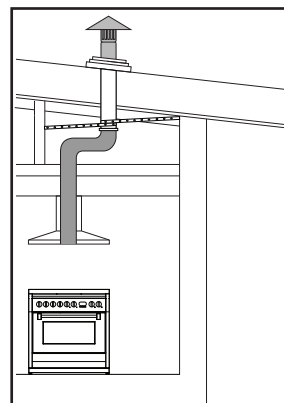
8 x 2.5W LED LIGHTS



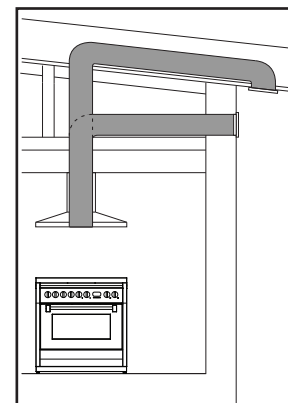
HANDCRAFTED IN ITALY



Ducting options



Roof ducted



Eave or Wall ducted

- Use semi-rigid or rigid ducting, not fully flexible foil ducting.
- Fewer bends means a quieter and more powerful extraction.
- Extra 3 years warranty when Sirius ducting is used (total 6 years).
- See [support page](#) on Sirius website for installation videos and FAQs.

WARNING: technical specifications and product sizes can be varied by the manufacturer, without notice. Cut outs for appliances should only be by physical product measurements. The above information is indicative only.

Distributed by Arisit Pty Ltd