

900mm OFFBOARD CANOPY RANGEHOOD STAINLESS STEEL FASCIA

SLEM 107 S 900



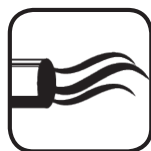
Rangehood type	Canopy
Control	Buttons
Speed settings	4
Ducting diameter	150mm
Extraction type	Offboard motor
Motor*	SEM 1, SEM 2 XS316, SEM 5 XS316
Extraction	1200m ³ /h
Filter	25mm stainless steel baffle
Lighting	2 x 6W LED strips
Induction Countdown Control	Yes
Electrical requirement	10A
Dimensions (mm)	W900 x D550 x H660-1080
Warranty	3 years (6 years when Sirius ducting is used)



INDUCTION SAFE



25mm Baffle Filters



1200m³/h AIRFLOW



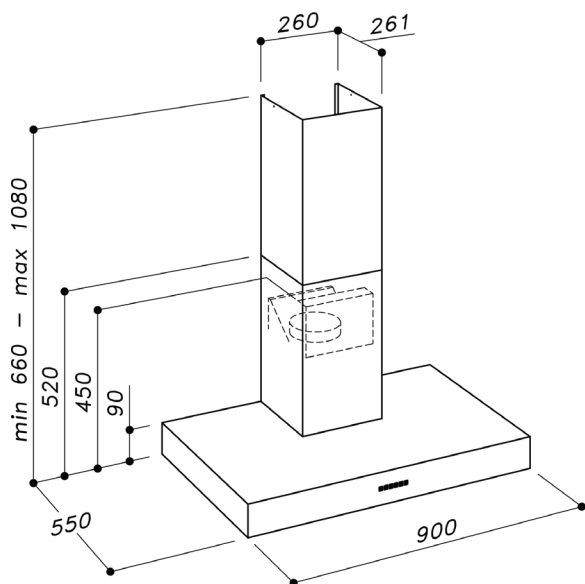
GERMAN-MADE MOTOR



LED LIGHTING

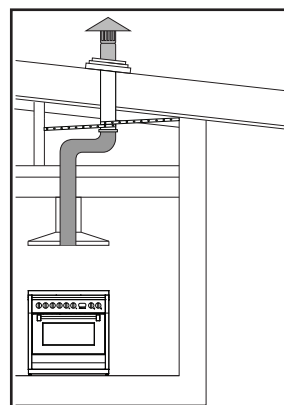


HANDCRAFTED IN ITALY

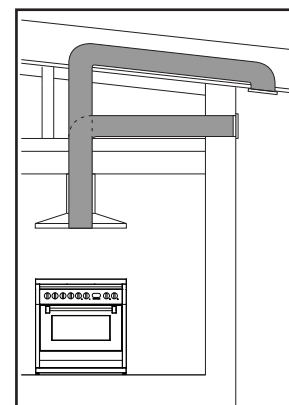


*Outdoor offboard motors have a marine grade finish as standard for added resistance to coastal weather elements.

Ducting options



Roof ducted



Eave or Wall ducted

- Can be used with SEM 1, SEM 2, and SEM 5.
- Use semi-rigid or rigid ducting, not fully flexible foil ducting.
- Fewer bends means a quieter and more powerful extraction
- Extra 3 years warranty when Sirius ducting is used (total 6 years)
- See [support page](#) on Sirius website for installation videos and FAQs

WARNING: technical specifications and product sizes can be varied by the manufacturer, without notice. Cut outs for appliances should only be by physical product measurements. The above information is indicative only.

Distributed by Arisit Pty Ltd