

SLEM 107 S1200 120CM CANOPY HOOD



let's get
Sirius
with rangehood design



SLEM 107 S1200

Features and Benefits:

DESIGNER CANOPY RANGE	Sleek and Contemporary Design with superior power and performance
LED STRIP LIGHTING	Energy efficient with Better illumination of cooking area and a Longer life span than standard globes. Modern aesthetic Look
BAFFLE FILTERS	18/10 Grade stainless steel 25mm Baffle filters
INDUCTION COUNTDOWN CONTROL	10 minute auto function used at the end of cooking to reduce condensation build up and to remove cooking smells from the room
SEM MOTOR OPTIONS	SEM 7, SEM 8
CLEAN FILTER INDICATOR	Takes the guessing game out of maintaining your hood. The lights will flash when the filters need cleaning
MADE IN ITALY	Units are designed specifically for the Australian market and manufactured in Italy by dedicated boutique specialist manufacturer
WARRANTY	Warranty is 4 years only when Sirius ducting is used. Sirius strongly recommend to use the correct ducting as to not void warranty and to achieve the ideal result

Distributed by Arisit Pty Ltd

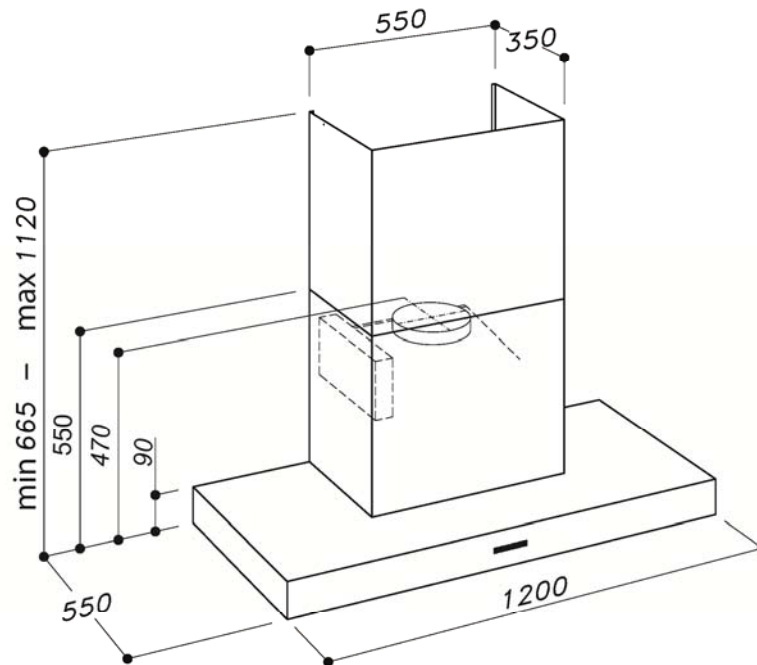
40-44 Mark Anthony Drive, Dandenong South VIC 3175 Ph: 1300 762 219 Fax: 03 9768 0838 Website: www.arisit.com

SLEM 107 S1200

120CM CANOPY HOOD



let's get
Sirius
with rangehood design



Technical Specifications:

MODEL	SLEM 107 S1200
CONTROL PANEL	ELECTRONIC CONTROL
MOTOR	SEM 7, SEM 8
EXTRACTION	2300 m ³ /h (SEM 7), or 1650 m ³ /h (SEM 8)
DUCTING DIAMETER	200mm
LIGHTS	2 x 6W LED STRIP LIGHTING
FILTER	25mm BAFFLE FILTER
ELECTRICAL REQUIREMENT	10A
PRODUCT DIMENSIONS	1200 x 550 x 715-1200
WARRANTY	3 YEARS - 4 YEARS WHEN SIRIUS DUCTING IS USED

WARNING: technical specifications and product sizes can be varied by the manufacturer, without notice. Cut outs for appliances should only be by physical product measurements. The above information is indicative only.

Distributed by Arisit Pty Ltd

40-44 Mark Anthony Drive, Dandenong South VIC 3175 Ph: 1300 762 219 Fax: 03 9768 0838 Website: www.arisit.com