

# SLEM 2 900

## 90CM RANGEHOOD



let's get  
**Sirius**  
with rangehood design



## SLEM 2900

### Features and Benefits:

CANOPY RANGE	Sleek and Contemporary Design with superior power and performance
HALOGEN LIGHTS	Energy efficient, Better illumination of cooking area, Longer life span than standard globes, Modern aesthetic
10MM STAINLESS STEEL BAFFLE FILTERS	Dishwasher safe, Designed for greatest air movement for maximum performance, Easy to fit and remove, Lifetime filters: last the life of the hood
INDUCTION COUNTDOWN CONTROL	10 minute auto function used at the end of cooking to reduce condensation build up and to remove cooking smells from the room
SEM MOTOR OPTIONS	SEM 1 , SEM 2 or SEM 5 options for ultra quiet operation
CLEAN FILTER INDICATOR	Takes the guessing game out of maintaining your hood. The lights will flash when the filters need cleaning
MADE IN ITALY	Units are designed specifically for the Australian market and manufactured in Italy by dedicated boutique specialist manufacturer

**Distributed by Arisit Pty Ltd**

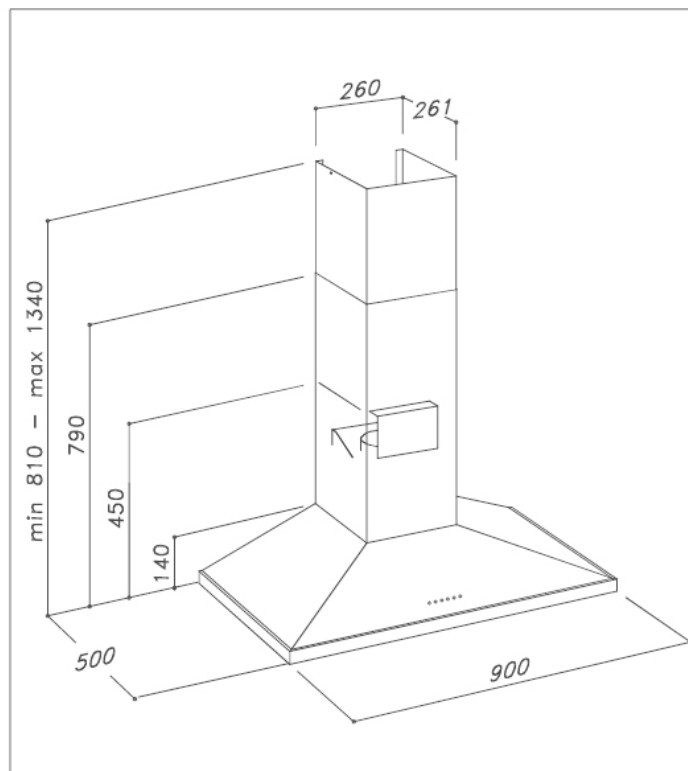
40-44 Mark Anthony Drive, Dandenong South VIC 3175 Ph: 1300 762 219 Fax: 03 9768 0838 Website: [www.arisit.com](http://www.arisit.com)

# SLEM 2 900

## 90CM RANGEHOOD



let's get  
**Sirius**  
with rangehood design



### Technical Specifications:

<b>MODEL</b>	SLEM 2 900
<b>CONTROL PANEL</b>	ELECTRONIC CONTROL
<b>MOTOR</b>	SEM1, SEM2 ,SEM5
<b>EXTRACTION</b>	1200m <sup>3</sup> /h
<b>DUCTING DIAMETER</b>	150mm
<b>LIGHTS</b>	2 x 20w HALOGEN
<b>FILTER</b>	STAINLESS STEEL
<b>ELECTRICAL REQUIREMENT</b>	10A
<b>PRODUCT DIMENSIONS</b>	900 x 500 x 1340

WARNING: technical specifications and product sizes can be varied by the manufacturer, without notice. Cut outs for appliances should only be by physical product measurements. The above information is indicative only.

**Distributed by Arisit Pty Ltd**

40-44 Mark Anthony Drive, Dandenong South VIC 3175 Ph: 1300 762 219 Fax: 03 9768 0838 Website: [www.arisit.com](http://www.arisit.com)